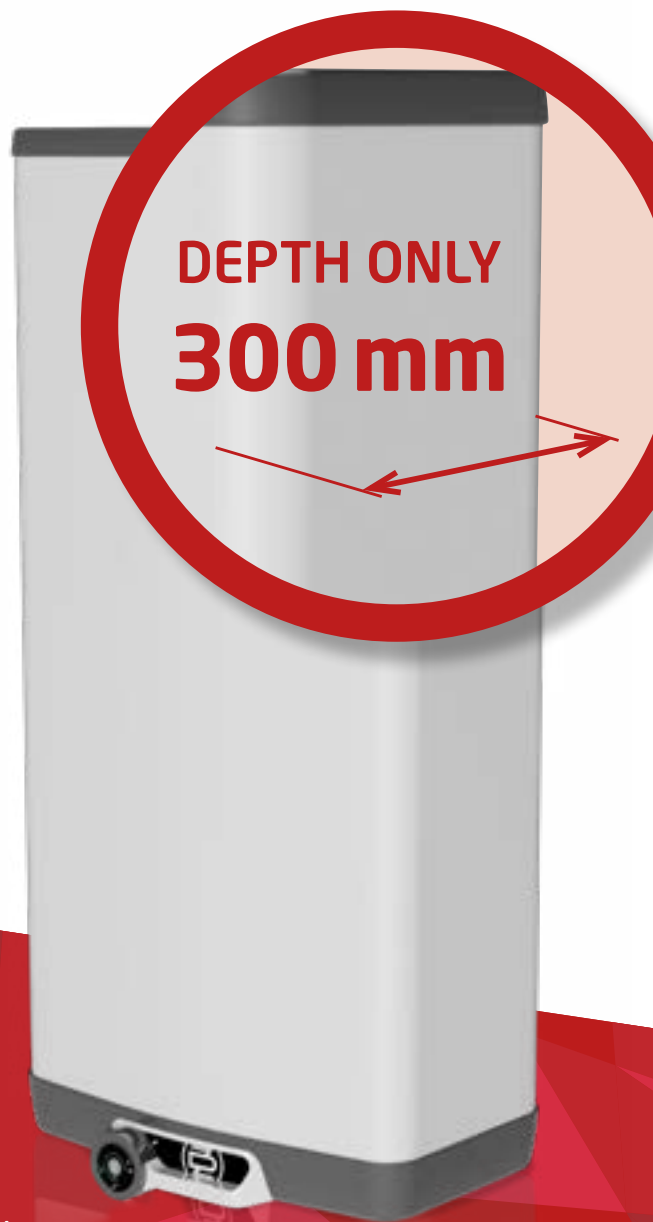


New electric flat water heater **OKHE ONE**



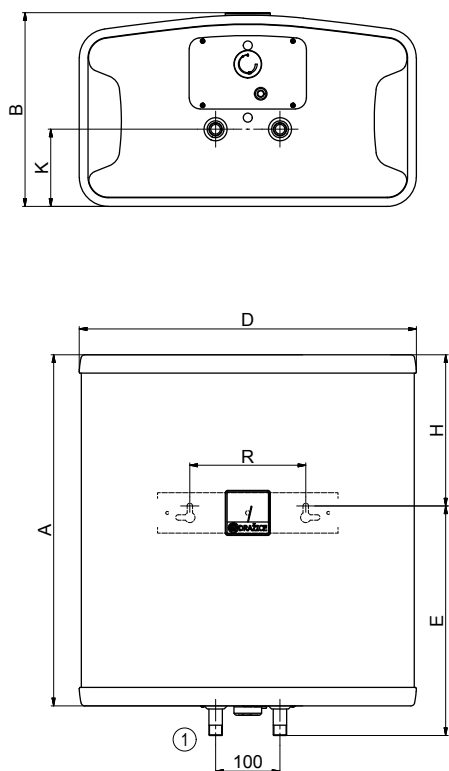
- New flat water heater in capacity of 20-120
- High quality production technologies of DZD used
- New type of capillary thermoindicator
- Two connected tanks inside - brings lower heating time
- Great alternative for gas water heater
- Easy installation everywhere - small bathrooms, kitchen units, workshops
- Wall mounted - directly on the wall (universal DZD wall hinge on demand)



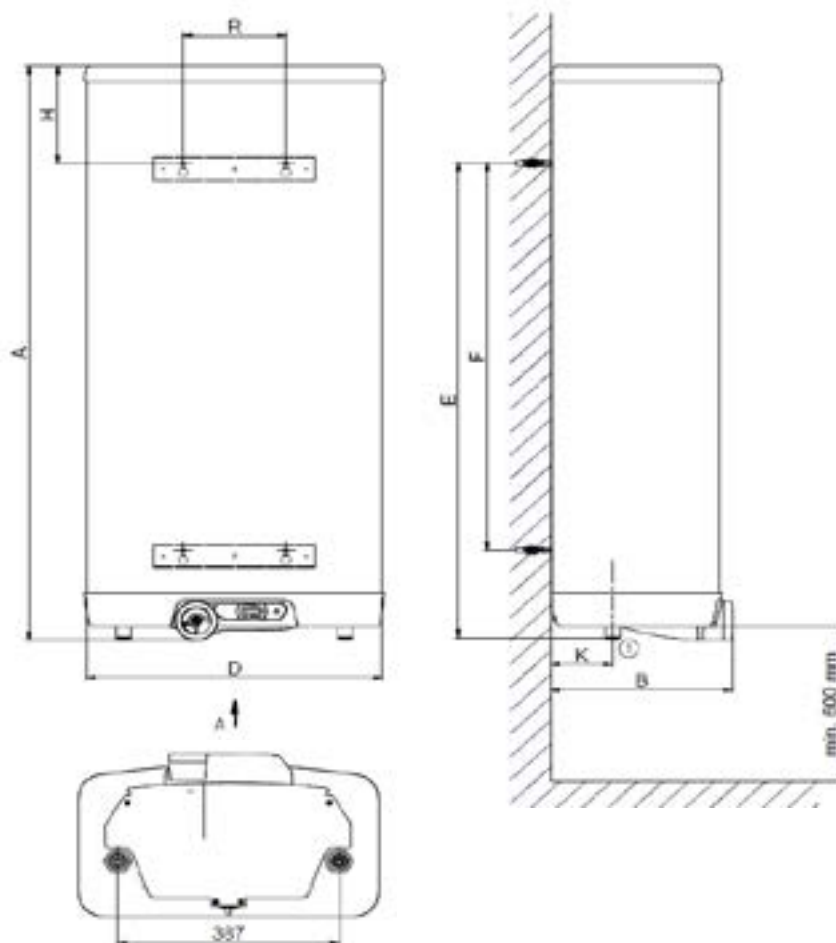
DRAŽICE
MEMBER OF THE NIBE GROUP

Dimensions drawing

ONE 20



ONE 30-120



Technical specifications

Type	ONE 20	ONE 30	ONE 50	ONE 80	ONE 100	ONE 120
Type Number	180210801	181110801	180510801	180110801	180810801	180310801
Volume [l]	20	28	45	65	80	98
Maximum weight (without water) [kg]	19	22	31	46	55	62
Heating element power [W]	2200	1100	2000	2000	2000	2000
Heating time from 10°C to 60°C [hours]	0,5	1,5	1,5	2,0	2,5	3,0
Energy class	A	C	C	C	C	C
Annual consumption [kWh]	485	561	1353	1378	1404	1403

Key for dimensions drawing

Typ	ONE 20	ONE 30	ONE 50	ONE 80	ONE 100	ONE 120
A	545	617	845	1112	1327	1552
B	301	318	318	318	318	318
D	523	523	523	523	523	523
E	356	500	730	920	1135	1360
F	-	350	560	750	950	1150
H	235	110	110	190	190	190
K	120	110	110	110	110	110
R	180	180	180	180	180	180

Contact:

Družstevní závody Dražice-strojárna s.r.o.
Dražice 69
294 71 Benátky nad Jizerou
e-mail: export@dzd.cz

Manual videos:



Mounting of the heater using a universal hinge-groove width for M6 screw



Mounting of the heater using a universal hinge-groove width for M8 screw



Mounting of the heater right on the wall using screws



Mounting of the heater using 4 pcs of flexible braces



Replacement of the original heater