

Operation and Installation Manual



TANK-TYPE WATER HEATERS FOR VERTICAL MOUNTING



Electric water heaters

OKHE 80

OKHE 100

OKHE 125

OKHE 160

Družstevní závody Dražice – strojírna s.r.o.
(Works Cooperative - Dražice – Machine Plant, Ltd.)

Dražice 69

29471 Benátky nad Jizerou

Tel.: 326 370 911, Fax: 326 370 980

www.dzd.cz

Read carefully the below instructions prior to the installation of the heater!

Dear Customer,

The Works Cooperative of Dražice – Machine Plant, Ltd., would like to thank you for your decision to use a product of our brand.

With this guide, we will introduce you to the use, construction, maintenance and other information on indirect water heaters.

Product's reliability and safety is proven by tests implemented by the Engineering Test Institute in Brno.

The manufacturer reserves the right for engineering modification of the product.

The product is designed for permanent contact with drinkable water.



Guide Contents

1.	Function description:	2
1.1	Hot water consumption	2
1.2	Energy saving.....	3
1.3	Emergency power consumption.....	3
2.	Servicing	3
2.1	The service devices of the heater are located under the plastic guard of the control panel.....	3
2.2	Temperature setting	3
2.3	Limiting the regulation range; locked settings.....	3
3.	Structure of the heater.....	4
4.	Operating conditions.....	4
4.1	General.....	4
5.	Wall mounting	5
5.1	Connection to power water	5
6.	First putting into operation.....	7
6.1	Putting out of service, discharge.....	7
7.	Inspection, maintenance & care for the appliance.....	7
8.	Most frequent function failures and their causes	8
9.	Installation regulations.....	8

Environment Type:

It is recommended to use the product in indoor environment with air temperatures from +2°C to 45°C and a relative humidity up to 80%.

1. Function description:

The heater is designed for accumulation heating of service water using electricity. Water is heated by an electric element in an enamelled thermally insulated tank at the time defined by the power supplier. The element is at the time of heating controlled by a thermostat the temperature of which can be adjusted continuously (within the range between 5°C and 74°C). Once the selected temperature is reached, heating interrupts automatically. Water accumulated in the tank is then used for consumption.

1.1 Hot water consumption

Consumption of hot water in households depends on the number of people, amount of sanitary equipment, length, diameter and insulation of piping in the flat, or on individual habits of users. The cheapest option of water heating comes at the time when the electricity rate is reduced. Find out in what time intervals your electricity supplier provides reduced tariff and, depending on that information, select relevant volume and power input of the heater so that your hot water consumption covered the needs of your household.

1.2 Energy saving

Hot utility water reservoir is insulated by means of a top-quality polyurethane foam with zero CFCs content. Adjust the temperature of the heater's thermostat to that level only that you need to run your home. Thus you will reduce electricity consumption, as well as the amount of lime sediments on the walls of the receptacle and on the electric element's pit.

1.3 Emergency power consumption

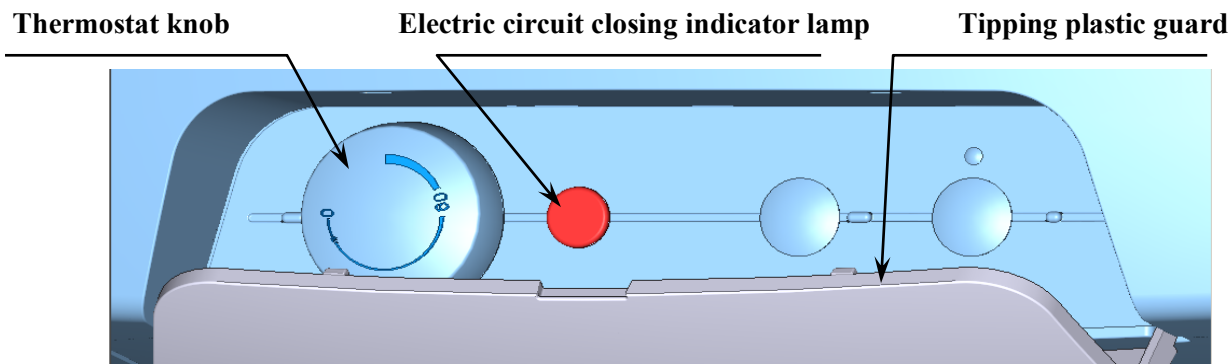
If no heated water is taken from the tank, a small amount of heat leaks. This loss is measured for a period of 24 hours at the temperature of 65°C in the heater, and at 20°C in its ambient area. The resulting value is expressed in kWh/24h and indicates the amount of power needed to maintain the temperature set.

Data sheet pursuant to Directive No 442/2004 and Appendix No 7 (TAB. 1)

Heater types	Energy efficiency class	Heat losses Wh/24hr/l	Nominal capacity (l)	Time of content heating (hours)	Electricity consumption for heating of the contents from 15°C to 65°C in kWh	Heat losses kWh/24hr
OKHE 80	B	6,88	80	2,5	4,8	0,55
OKHE 100	B	7	100	3	6	0,7
OKHE 125	B	6,96	125	3,8	8	0,87
OKHE 160	B	6,77	155	5	9,5	1,05

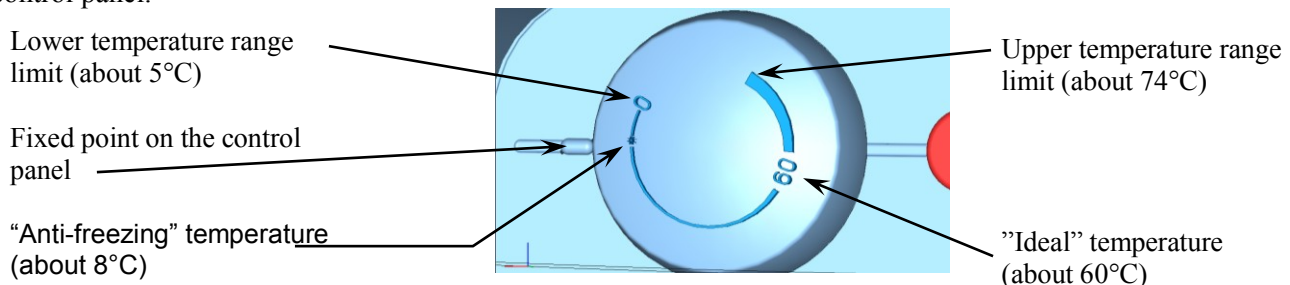
2. Servicing

2.1 The service devices of the heater are located under the plastic guard of the control panel.



2.2 Temperature setting

Water temperature is set by turning the thermostat knob. The desired symbol is adjusted against the fixed point on the control panel.

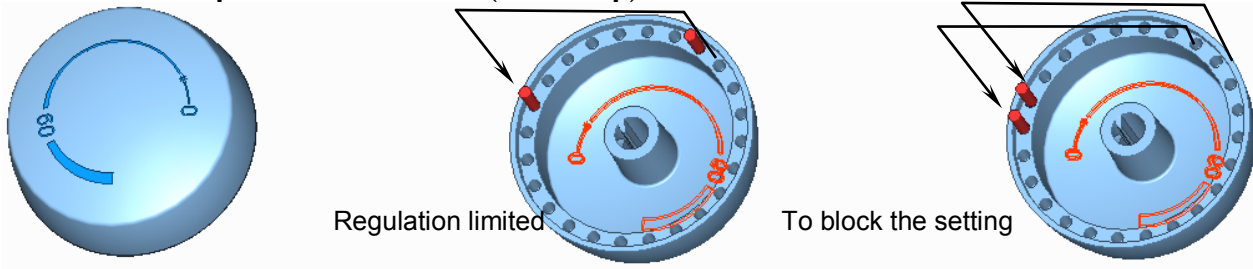


Notice: Adjusting the thermostat selector at the left backstop does not mean permanent shutoff of the heating element. When the heater is in use without blocking the daily rate, we do not recommend the temperature to be set above 65°C. The maximum value to select is “60”.

2.3 Limiting the regulation range; locked settings.

For various safety reasons (unintentional scalding, preventing children or unauthorised person from handling), the regulation range can be **limited**, or the setting on the thermostat **blocked**.

To limit regulation - pull off the thermostat knob (it will be tough at first) and you will find two cylindrical pins Ø2,15mm on the back side of the knob
 - pull off one pin and insert it to the corresponding hole of the selected maximum temperature.
 - put the knob back on (to the stop).

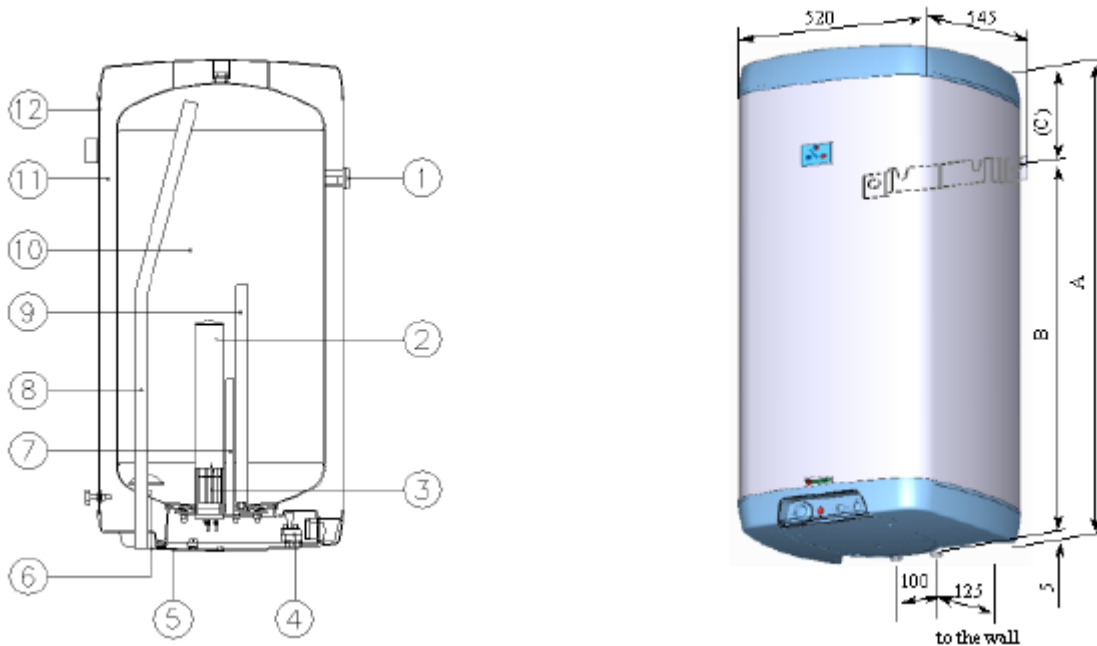


To block the setting – set the selected temperature

pull off the thermostat knob without changing the setting, there are two pins on the back side of the knob

Pull off both of them and fit them to the holes corresponding with the selected temperature so that the gap between the pins was without a hole, and the position was opposite the set temperature.

3. Structure of the heater



- | | | | |
|---|--|----|----------------------------|
| 1 | thermometer | 7 | thermowell |
| 2 | heating element well | 8 | hot water withdrawal pipe |
| 3 | ceramic heating element 2000W | 9 | Mg anode |
| 4 | operation thermostat with external control and safety thermostat | 10 | enamelled steel receptacle |
| 5 | electric installation guard | 11 | polyurethane insulation |
| 6 | cold water filling pipe | 12 | heater shell |

TAB. 2

Type	OKHE 80	OKHE 100	OKHE 125	OKHE 160
A	742	887	1052	1237
B	610 (560)	700 (650)	850 (800)	1050 (1000)
C	127 (177)	182 (232)	197 (247)	182 (232)
service weight	37 kg	42 kg	49 kg	57 kg

4. Operating conditions

4.1. General

The tank shall only be used in accordance with the conditions specified on the performance plate and in instructions for electric wiring. Besides legally acknowledged national regulations and standards, also conditions for connection defined in local electric and water works have to be adhered to, as well as the installation and operation manual.

The room in which the appliance will be operated, must be frost-free. The appliance has to be mounted at a convenient place, it means that the appliance must be easily available for potential necessary maintenance, repair or replacement, as the case may be. If water is strongly calcareous we recommend that any of the common decalcifying devices was installed with the appliance, or the thermostat to be set to minimum operation temperature of 60°C (setting to position “60”). For proper operation, drinkable water of adequate quality shall be used. To avoid potential sediments we recommend that the device was installed together with a water filter.

5. Wall mounting

Prior to the mounting check the bearing capacity of the wall and the material it is made of, considering the weight of the heater filled with water. Depending on the wall material choose adequate fixtures.

Should you have any doubts regarding the wall bearing capacity, consult the suspension with a building specialist.

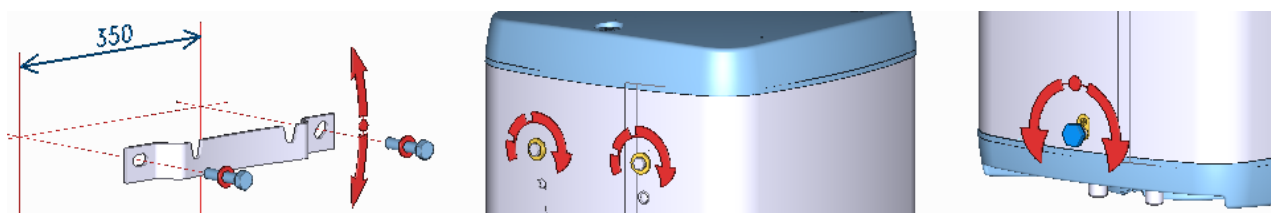
The minimum diameter of the bolts for suspending the heater is 12 mm. **When mounting the anchor bolts follow the guide provided by the anchor bolts' manufacturer.**

Mount the anchors by the dimensional drawing in 350 mm spacing, and screw firmly a steel hinge onto the wall. Check its proper vertical positioning.

Recheck the torque of the suspension bolts on the heater and suspend the heater.

If needed, the suspension bolts can be shifted by 50 mm in vertical direction.

Using the detent support in the bottom part of the heater make sure it runs in parallel with the wall!



If the hot water heater is mounted in a **tight, small space**, or in an intermediate ceiling, etc., you have to make sure that the connecting side of the appliance (connections to water supply, area for electric plugging) remained accessible and no heat accumulation occurs. Free space of up to 500 mm from the bottom edge of the heater has to be available under the heater. When mounted directly under the ceiling, the distance from the ceiling has to be 50 mm at least.

5.1 Connection to power water

Power water connects to pipes with 3/4" thread in the bottom part of the heater.

Blue - cold water supply, red – hot water outlet. For potential disconnection of the heater, the service water inlets and outlets must be provided with screw coupling Js 3/4". Safety valve is mounted on the cold water inlet identified with a blue ring.

Each hot service water pressure heater must have a membrane spring loaded with a safety valve. Nominal clearance of safety valves is defined in the ČSN 0 60830 standard. The heaters are not equipped with a safety valve. The safety valve must be easily accessible, as close to the heater as possible. The input pipes must have at least the same clearance as the safety valve. The safety valve is placed high enough to secure dripping water drain by gravity. We recommend mounting the safety valve onto a branch pipe. This allows easier exchange without having to drain the water from the heater. Safety valves with fixed pressure settings from the manufacturer are used for the assembly. Starting pressure of a safety valve must be identical to the maximum allowed heater pressure, and at least 20% higher than the maximum pressure in the water main. If the water main pressure exceeds such value, a reduction valve must be added to the system. No stop valves can be put between the heater and the safety valve. During the assembly, follow the guide provided by the safety equipment manufacturer. It is necessary to check the safety valve each time before putting it into operation. It is checked by manually moving of the membrane from the seat, turning the make-and-break device button always to the right. After being turned, the button must click back into a notch. Proper function of the make-and-break device results in water draining through the safety valve outlet pipe. In common operation, such a check needs to be implemented at least once a month, and after each heater shutdown for more than 5 days. Water may be dripping off the drain pipe of the safety valve; the pipe must be open into the air, pointed down; environment temperatures must not drop below zero.

When draining the heater, use a recommended drain valve. First, close water input into the heater. Find necessary pressure values in the following table.

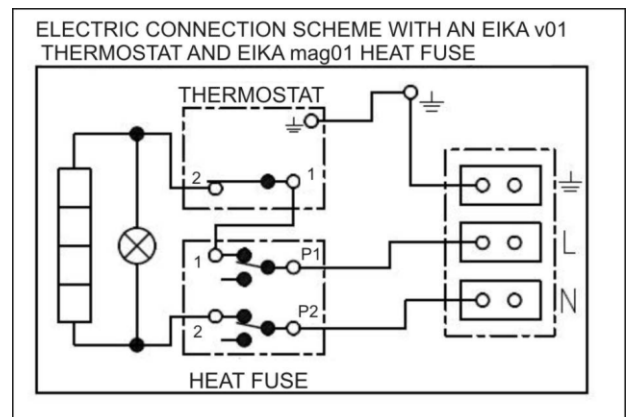
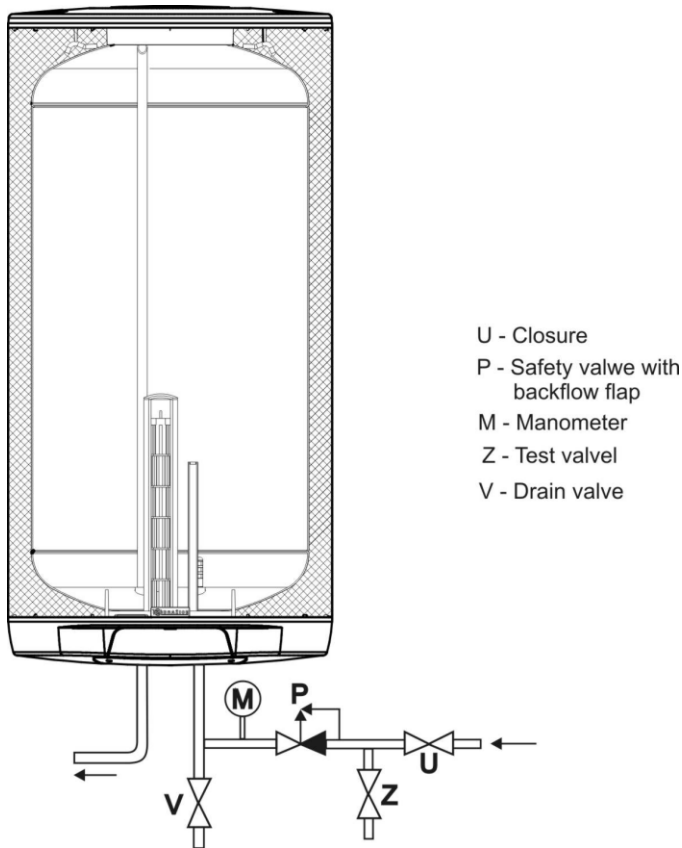
For proper safety valve operation, a backflow valve must be mounted on the inlet pipes, preventing spontaneous heater draining and hot water penetrating back into the water main.

Safety valve starting pressure (MPa)	Admissible operating water heater pressure (MPa)	Max. pressure in the cold water pipe (MPa)
0.6	0.6	do 0.48
0.7	0.7	do 0.56
1	1	do 0.8

We recommend that the hot water distribution from the heater was as short as possible to minimise heat losses.

Heaters must be provided with a discharge valve mounted on the cold service water inlet to the heater for potential disassembly or repair.

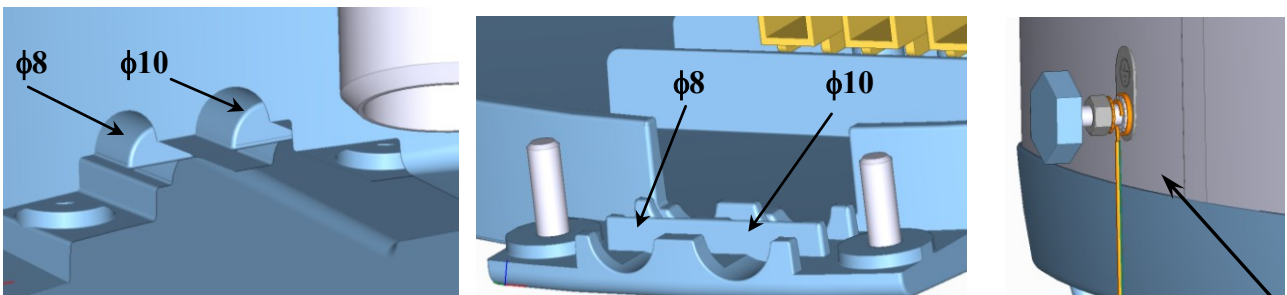
When assembling the security equipment, follow ČSN 06 0830.



Electric connection

Perform the connection according to the scheme.
 Factory connection must not be changed!

In the electric wiring casing remove the partition corresponding with the input wire diameter of $\phi 8$ or $\phi 10$.



Heater is connected to power supply 1 PEN AC 230V/50Hz via a fixed movable wire.
 The circuit must contain a breaker disconnecting all poles of the network, and a circuit breaker (protector).
 Installations in bathrooms, lavatories and showers must comply with the ČSN33 2000-7-701 standard.
 To adjust the distance from the wall, connect the wire of the external protective equipotential bonding!!!
 The degree of protection of electric parts of the heater is IP 45. Power input of electric element is 2000 W.
 Respect the rules of protection against electrical injuries in accordance with ČSN 33 2000-4-41.

6. First putting into operation

Before opening the power supply, the tank must be filled with water.

During the heating process the pressurised connection water that increases its volume due to heating must drip off the safety valve, in non-pressurised connection it drips off the overflow combination faucet.

Warning: The process of first heating must be executed by licensed professional who has to check it.

Both the hot water outlet pipe and safety armature parts may be hot.

When heating is finished, the set temperature and the actual temperature of consumed water should be roughly equal.

After connecting a heater to the water main, hot water heating system, electric network, and after testing its safety valve (based on the valve manual attached), the heater may be put into operation.

Procedure:

- a) Check both water and electric installation; for combined heaters, check the installation to a hot water heating system. Check proper placement of operating and safety thermostat sensors. The sensors must be inserted all the way in; first the operating and then the safety thermostat.
- b) Open the hot water valve on the combination faucet;
- c) Open the cold water inlet valve to the heater.
- d) As soon as the water starts running through the hot water valve, the heater is filled and the valve closes.
- e) In case of a leakage (flange lid), we recommend fastening the flange lid bolts.
- f) Fasten the electric installation cover;
- g) In case of service water heating by electric energy, turn on the electricity (for combined heaters, the heating water valve at the heating water entry to heating insert must be closed).
- h) When heating service water with electric energy from the hot water heating system, turn the electricity off and open the valves of heating water input and output, possibly de-aerate the exchanger.
- i) When commencing operation, flush the heater until the cloudiness in the water is gone.
- j) Make sure to fill in properly the warranty certificate.

6.1 Putting out of service, discharge

If the hot water heater is put out of service for a longer time, or if it is not going to be used it has to be drained and disconnected from the electric supply network on all poles. The switch for the supply lead or the fuse cut-outs have to be shut off.

At places with permanent risk of frost the hot water heater must be drained before the cold season starts if the appliance remains out of service for several days and unless it is operated in a position protecting from frost.

Drainage of service water shall be performed after closing the shut-off valve in the cold water supply piping through the discharge valve for safety valve combination and with simultaneous opening of all hot water valves of connected fittings. Water can also be drained through the safety valve. To do so, the safety valve knob shall be turned to the “control” position.

Be careful: Hot water may outflow during the drainage.

If there is a risk of frost it has to be considered that not only the water in the hot water heater and in the hot water piping may get frozen but also the water in the entire cold water supply piping. It is therefore advisable to drain all fittings and piping that carry water, up to the part where the house water meter is installed (connection of the house to water) which is not jeopardised with frost.

When the tank is to be used again, it has to be filled with water and one needs to make sure that the water **flowing out at the hot water valves did not contain any bubbles.**

7. Inspection, maintenance & care for the appliance

During the heating process the water that increases its volume during the heating must drip off the safety valve outlet (in non-pressurised connection this water drips off the combination faucet valve). In full heating (about 74°C) the volumetric water gain is approx. 3.5% of the tank content. The function of the safety valve has to be checked regularly. If the safety valve control knob is lifted or turned to the “Control” position, the water must flow out easily, without any obstacles, from the safety valve element to the outfall line. In common operation, such a check needs to be implemented at least once a month, and after each heater shutdown for more than 5 days.

Warning! In doing so, the cold water supply pipe and the connection fitting of the tank may get heated! If the hot water heater does not work, or if hot water is not withdrawn, no water shall drip off the safety valve. If water drips, then the water pressure in the supply piping is either too high (if higher than 5.5 bars, a pressure control valve has to be fitted), or the safety valve is defective. Please call a specialised plumber immediately! If water contains too many minerals, an expert has to come to remove the scale that forms inside the tank, as well as free sediments. This has to be performed after one or two years of operation. The cleaning is carried out through the hole in the flange – dismantle the flange lid and clean the tank. A new sealing has to be used for re-fitting. Since the inside of the heater has special enamel, which must not get in contact with the scale removing agent – do not work with a lime pump. Remove the lime layer with a timber and suck it off, or wipe it off with a clout. After that, the appliance must be rinsed thoroughly and the heating process is checked the same as during the initial putting in operation. Do not use any abrasive cleaning agents or dye thinners to clean the outer shell of the heater (such as cellulose thinner, trichlor, and the like). For cleaning use a wet clout and add a few drops of liquid cleaning agent for households applications.

8. Most frequent function failures and their causes

Water is cold	LED is on	The temperature set on the thermostat is too low Heating element failure
	LED is not on	No supply voltage; thermostat failure; Safety thermostat shut off probably due to failed operation thermostat
Water is not warm enough	LED is on	Failure of one of the coils in the element (2x 1000W)
Temperature of water is not corresponding with the temperature on the control		Defective thermostat
Water is constantly dripping off the safety valve	LED is not on	Input pressure too high; faulty safety valve

Do not try to repair the failure yourselves. Seek either expert or service help. It does not take much for an expert to remove the defect. When making a repair appointment, report the type and serial number you find on the performance plate of your water heater.

9. Installation regulations

Regulations and instructions that must be obeyed if the heater is connected

- a) to the electrical network
 - ČSN 33 2180 - Connecting of electric devices and appliances
 - ČSN 33 2000-4-41 - Low voltage electric installations Protective measure to ensure safety - Protection from injury caused by electricity
 - ČSN 33 2000-7-701 - Low voltage electric installations Single-purpose devices and devices in special premises - Premises with tub or shower to hot service water heating system
- b) to the hot water heating system
 - ČSN 06 0320 - Thermal systems in buildings - Hot water preparation – Design and Project Engineering
 - ČSN 06 0830 – Thermal systems in buildings – Protecting devices
 - ČSN 73 6660 – Internal water conduits
 - ČSN 07 7401 - Water and steam for heat energy device with steam over-pressure up to 8 MPa
 - ČSN 06 1010 - Tank water heaters with water and steam heating; and combined with electric heating. Technical requirements. Testing.
 - ČSN EN 12897 – Water supply – Indirectly heated closed tank-type water heaters

Both the electric and water installation must follow and meet the requirements and regulations relevant in the country of use.

Disposal of packaging material and functionless product

A service fee for providing return and recovery of packaging material has been paid for the packaging in which the water heater was delivered.

The service fee was paid pursuant to Act No. 477/2001 Coll., as amended, at EKO-KOM a.s. The client number of the company is F06020274. Take the water boiler packages to a waste disposal place determined by the town. When the operation terminates, disassemble and transport the discarded and unserviceable heater to a waste recycling centre (collecting yard), or contact the manufacturer.



05-2012