

# OPERATING AND INSTALLATION MANUAL

## STORAGE TANKS

NAD 300v3



Družstevní závody Dražice-strojírna s.r.o.  
Dražice 69, 294 71 Benátky nad Jizerou  
tel.: +420 / 326 370 911  
e-mail: [export@dzd.cz](mailto:export@dzd.cz)

 **DRAŽICE**  
NIBE GROUP MEMBER

# CONTENTS

1	DESCRIPTION .....	4
2	DESIGNING THE SIZE AND CONNECTION OF STORAGE TANK .....	4
3	DIMENSIONS AND CONNECTION .....	5
4	TECHNICAL PARAMETERS.....	6
5	DISPOSAL OF PACKAGING MATERIAL AND NON-FUNCTIONING PRODUCT.....	6

## CAREFULLY READ THIS MANUAL BEFORE INSTALLING THE TANK!

Dear Customer,

Družstevní závody Dražice - strojírna s.r.o., would like to thank you for your decision to use a product of our brand.



The product is not intended to be controlled by

- a) people (including children) with reduced physical, sensual or mental capacities, or
- b) people with insufficient knowledge and experiences unless supervised by responsible person, or unless properly instructed by such responsible person.

The manufacturer reserves the right for engineering modification of the product.

It is recommended to use the product in indoor environment with air temperatures from +2 °C to +45 °C and a relative humidity up to 80 %.

Product's reliability and safety is proven by tests implemented by the Engineering Test Institute in Brno.

Made in the Czech Republic.

### Meaning of pictograms used in the Manual



**Important information for heater users.**



**Abiding by the recommendations of the manufacturer serves to ensure trouble-free operation and the long service life of the product.**



**Caution!**  
**Important notice to be observed.**

# 1 DESCRIPTION

Accumulation tanks serve for the accumulation of excessive energy from the heat source. The source may be a solid fuel boiler, heat pump, fireplace inserts, etc.

The NAD type tanks serve for the accumulation of heat in the heating system; the operation agent is heating water. The accumulation tank inclusion in the heating system with the heat source provides ideal operation of the heat source under beneficial temperature conditions. The main benefit is the optimizing of the heat source operation (i.e., with maximum efficiency) when the unconsumed heat accumulates in the tank.

The tanks are made of steel, without internal surface treatment. The outer surface of the tank is fitted with non-removable thermal insulation of the 50 mm thick PU foam.”

**Accumulation tanks NAD 300 v3 cannot be used for accumulation of hot water - drinking water.**

## 2 DESIGNING THE SIZE AND CONNECTION OF STORAGE TANK

An ideal size of the storage tank is designed by a design engineer, or a person sufficiently qualified to design heating systems.

Product assembly must be implemented by an authorized person (confirmed in the warranty certificate).



**Before assembly, we recommend rinsing the container and the heating circuit with clean water!**

Before putting it into operation, we recommend starting the heating circuit and cleaning any dirt trapped in the filter, then the system is fully functional.

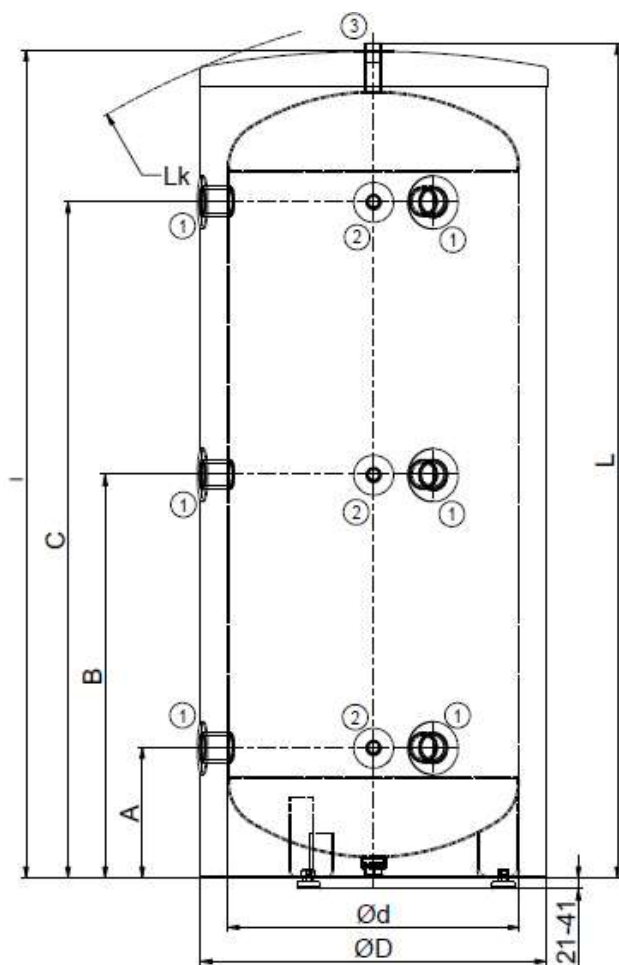


**The installation of the tank must be carried out in a place that can be considered suitable, i.e. the equipment must be easily accessible for any necessary maintenance, repair or possible replacement.**

**Before filling the tank with water for the first time, check the tightness of the tank flange connection nuts. Tighten the screws crosswise. Tightening torque 15Nm**

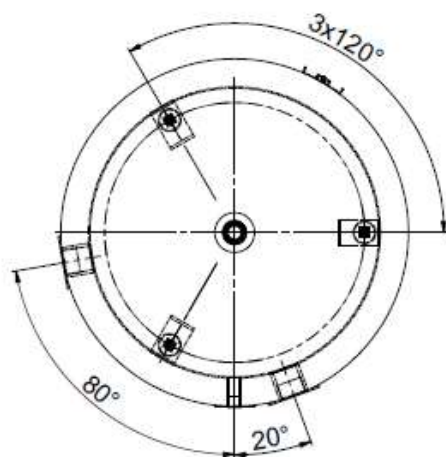
### 3 DIMENSIONS AND CONNECTION

NAD 300 v3



NAD 300v3	
<b>A</b>	247
<b>B</b>	762
<b>C</b>	1277
<b>d</b>	550
<b>D</b>	650
<b>L</b>	1575
<b>Lk</b>	1658

①	G 1 1/2" inner
②	G 1/2" inner
③	G 1" outer



## 4 TECHNICAL PARAMETERS

The maximum operating pressure in the vessel is 0.3 MPa. The maximum operating temperature of the water in the vessel is 80 °C.

## 5 DISPOSAL OF PACKAGING MATERIAL AND NON-FUNCTIONING PRODUCT

A service fee for providing return and recovery of packaging material has been paid for the packaging in which the product was delivered. The service fee was paid pursuant to Act No 477/2001 Coll., as amended, at EKO-KOM a.s. The client number of the company is F06020274. Take the water tank packages to a waste disposal place determined by the municipality. When the operation terminates, disassemble and transport the discarded and unserviceable heater to a waste recycling center (collecting yard), or contact the manufacturer.



3-10-2024