

AGE TANKS NAD, NADO – Outline principle STOR

The wiring diagram of product is only general and does not replace the respective project documentaton. All wiring and connectons of the product are to be in accordance with legal regulatons, safety regulatons and standards of the place/country in which the pro duct is being connected/wired. In the event of the breach there of, the man ufacturer shall not be responsible for damages arisen therefrom.

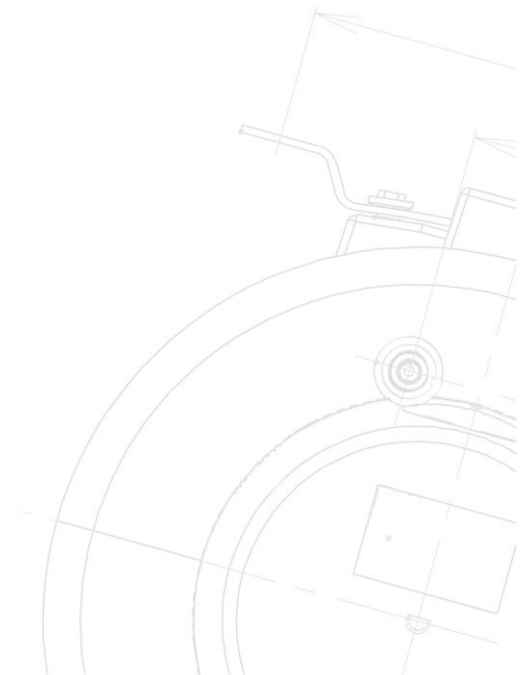
Družstevní závody Dražice - strojírna s.r.o.

Dražice 69, 294 71 Benátky nad Jizerou, Česká republika

tel.: +420 / 326 370 911, fax: +420 / 326 370 980

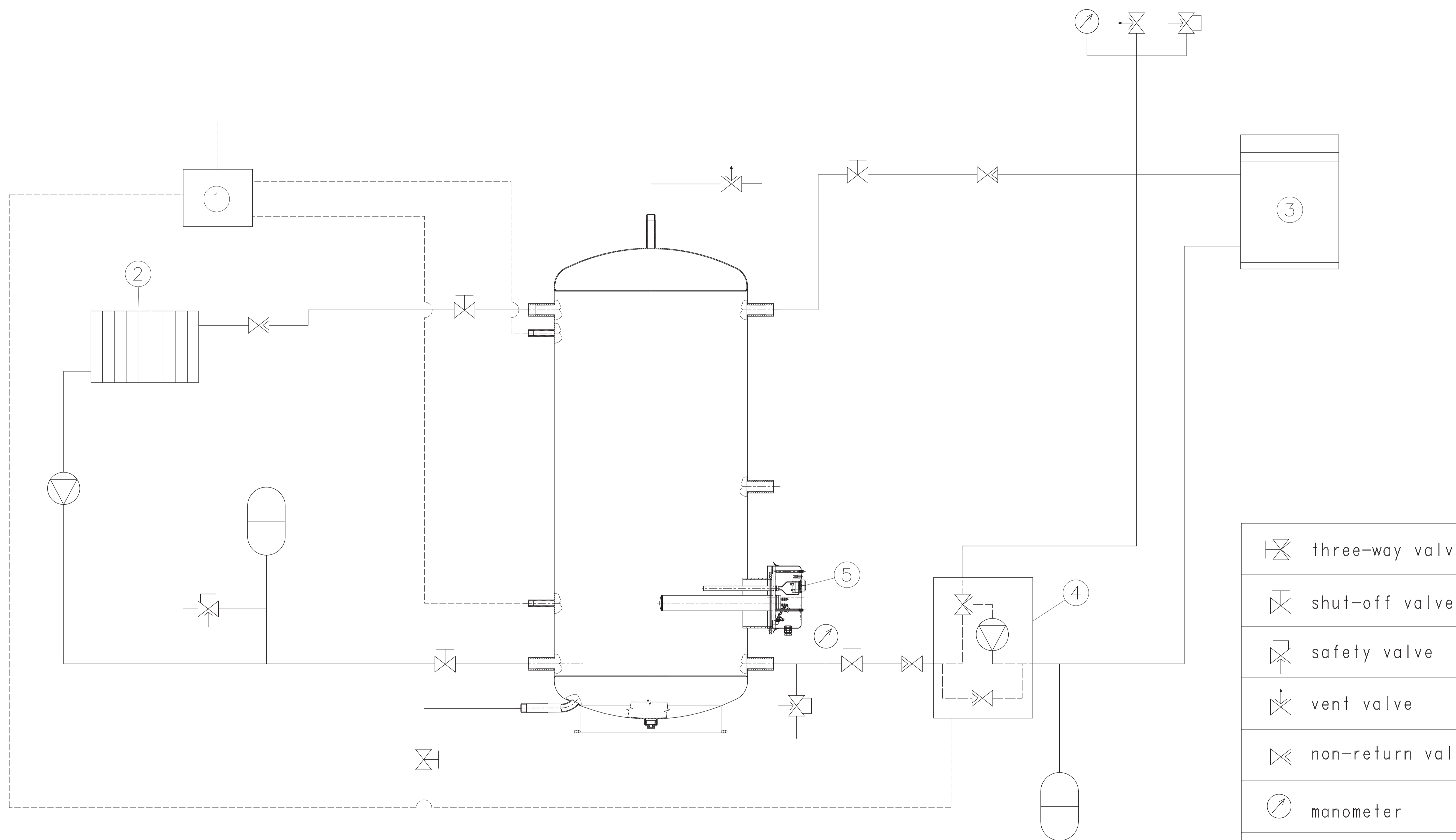
e-mail: dzd@dzd.cz, www.dzd.cz, e-mail: nibe@nibe.cz, www.nibe.cz








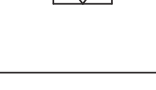
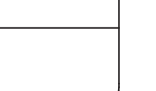
Společnost zapsaná v Obchodním rejstříku, vedeném Městským obchodním soudem v Praze, oddíl C, vložka 9389, IČO 45148465



NAD 500, 750, 1000 v1 – Outline principle

The wiring diagram of product is only general and does not replace the respective project documentation. All wiring and connections of the product are to be in accordance with legal regulations, safety regulations and standards of the place/country in which the product is being connected/wired. In the event of the breach thereof, the manufacturer shall not be responsible for damages arisen therefrom.

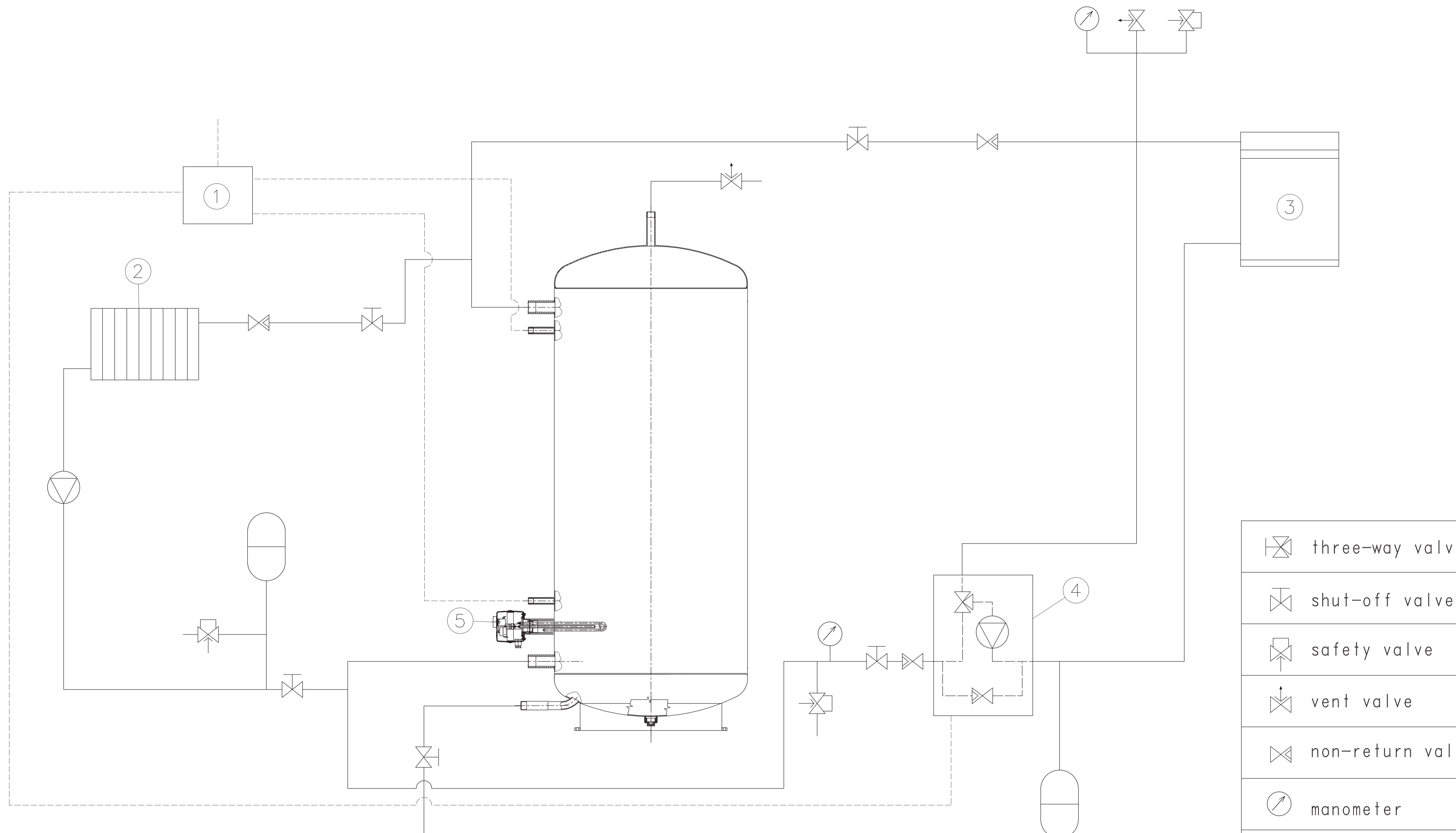


-  three-way valve
-  shut-off valve
-  safety valve
-  vent valve
-  non-return valve
-  manometer
-  pump
-  filter
-  expansion tank

- ① Control unit
- ② Radiators, floor heating
- ③ Solid fuel boiler, hot water fireplace insert
- ④ Laddomat
- ⑤ Electric heating flanged unit TPK (alternative to 3)

NAD 500, 750, 1000 v2 – Outline principle

The wiring diagram of product is only general and does not replace the respective project documentation. All wiring and connections of the product are to be in accordance with legal regulations, safety regulations and standards of the place/country in which the product is being connected/wired. In the event of the breach thereof, the manufacturer shall not be responsible for damages arisen therefrom.

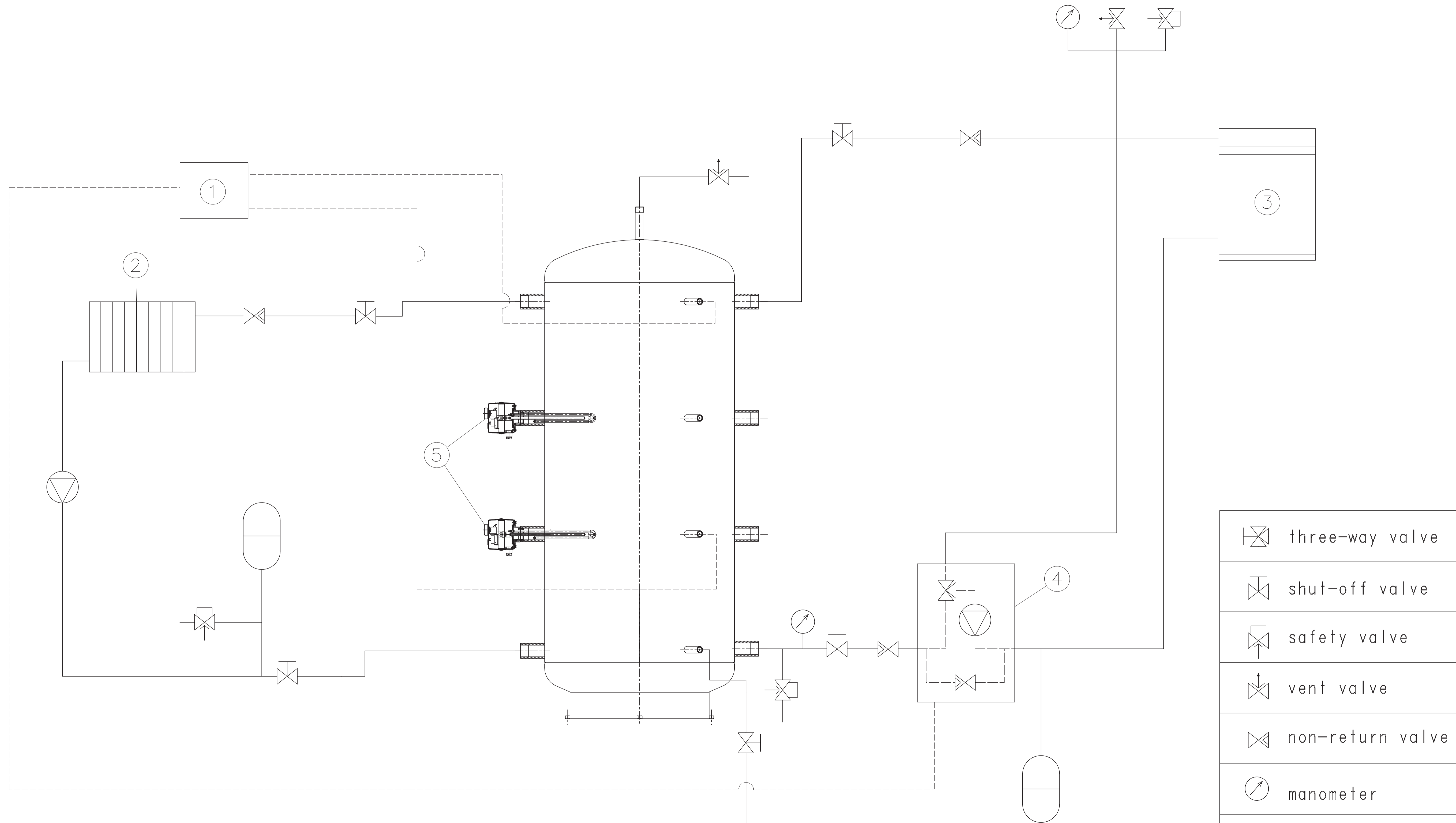


- ① Control unit
- ② Radiators, floor heating
- ③ Solid fuel boiler, hot water fireplace insert
- ④ Laddomat
- ⑤ Electric heating unit TJ (alternative to 3)


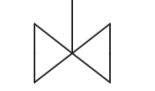
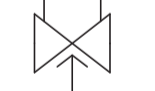






	three-way valve
	shut-off valve
	safety valve
	vent valve
	non-return valve
	manometer
	pump
	filter
	expansion tank

NAD 500, 750, 1000 v3 – Outline principle

The wiring diagram of product is only general and does not replace the respective project documentation. All wiring and connections of the product are to be in accordance with legal regulations, safety regulations and standards of the place/country in which the product is being connected/wired. In the event of the breach thereof, the manufacturer shall not be responsible for damages arisen therefrom.

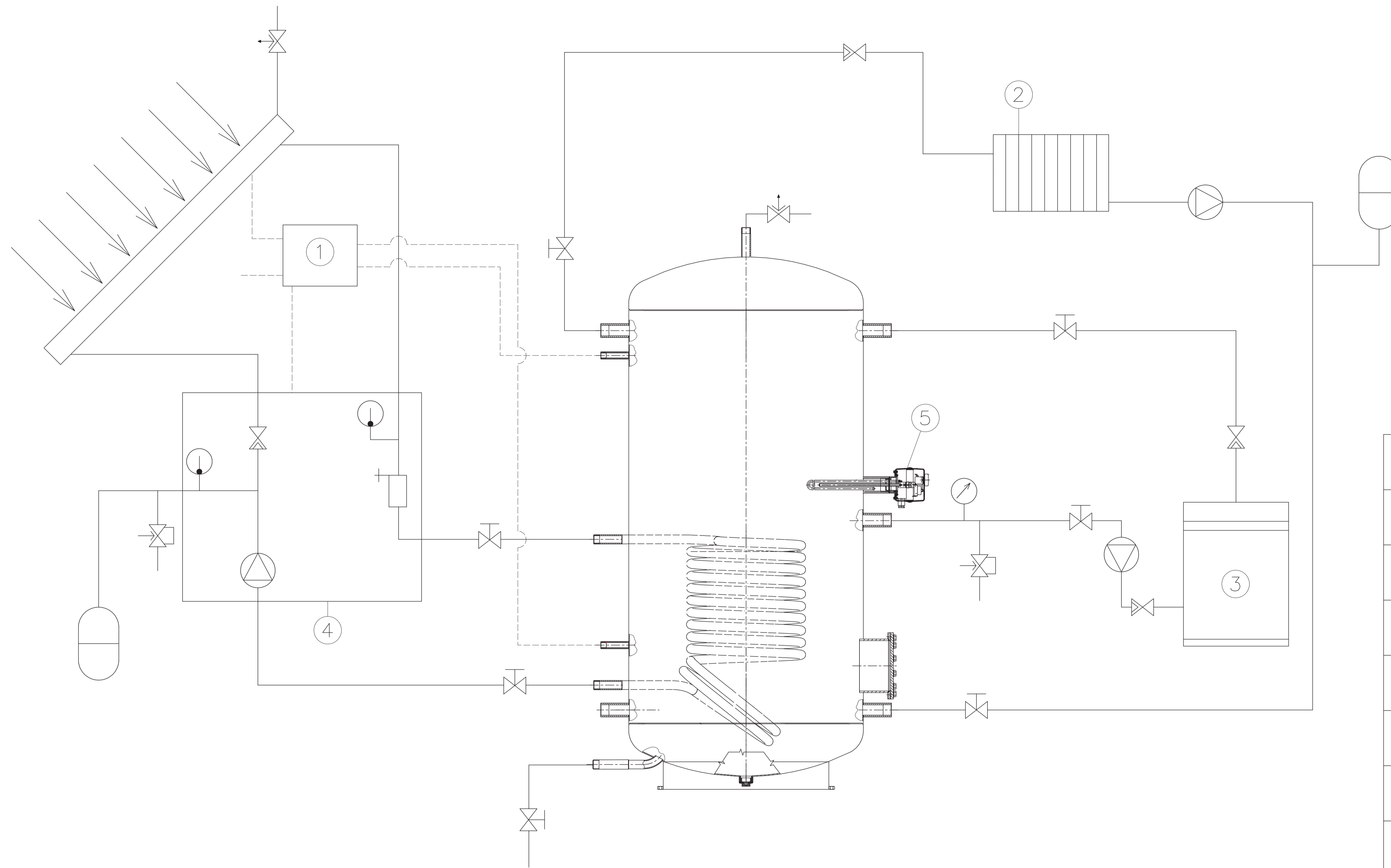


- ① Control unit
- ② Radiators, floor heating
- ③ Solid fuel boiler, hot water fireplace insert
- ④ Laddomat
- ⑤ Electric heating unit TJ (alternative to 3)

	three-way valve
	shut-off valve
	safety valve
	vent valve
	non-return valve
	manometer
	pump
	filter
	expansion tank

NAD 500, 750, 1000 v4 – Outline principle

The wiring diagram of product is only general and does not replace the respective project documentation. All wiring and connections of the product are to be in accordance with legal regulations, safety regulations and standards of the place/country in which the product is being connected/wired. In the event of the breach thereof, the manufacturer shall not be responsible for damages arisen therefrom.

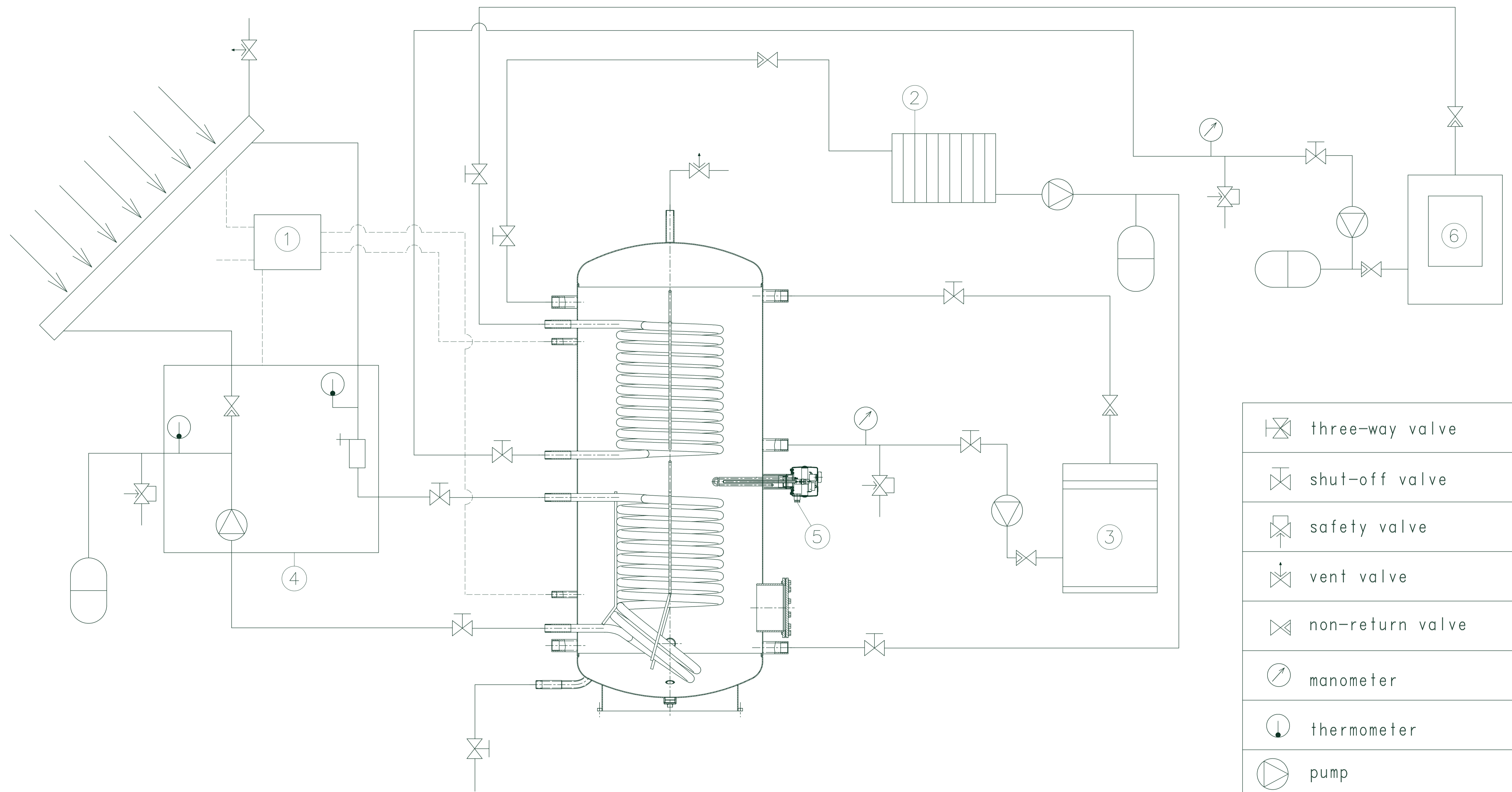


- ① Control unit
- ② Radiators, floor heating
- ③ Electric boiler, Gas boiler, etc.
- ④ Pump unit
- ⑤ Electric heating unit TJ (alternative to 3)

	three-way valve
	shut-off valve
	safety valve
	vent valve
	non-return valve
	manometer
	thermometer
	pump
	filter
	expansion tank
	air separator

NAD 500, 750, 1000 v5 – Outline principle

The wiring diagram of product is only general and does not replace the respective project documentation. All wiring and connections of the product are to be in accordance with legal regulations, safety regulations and standards of the place/country in which the product is being connected/wired. In the event of the breach thereof, the manufacturer shall not be responsible for damages arisen therefrom.

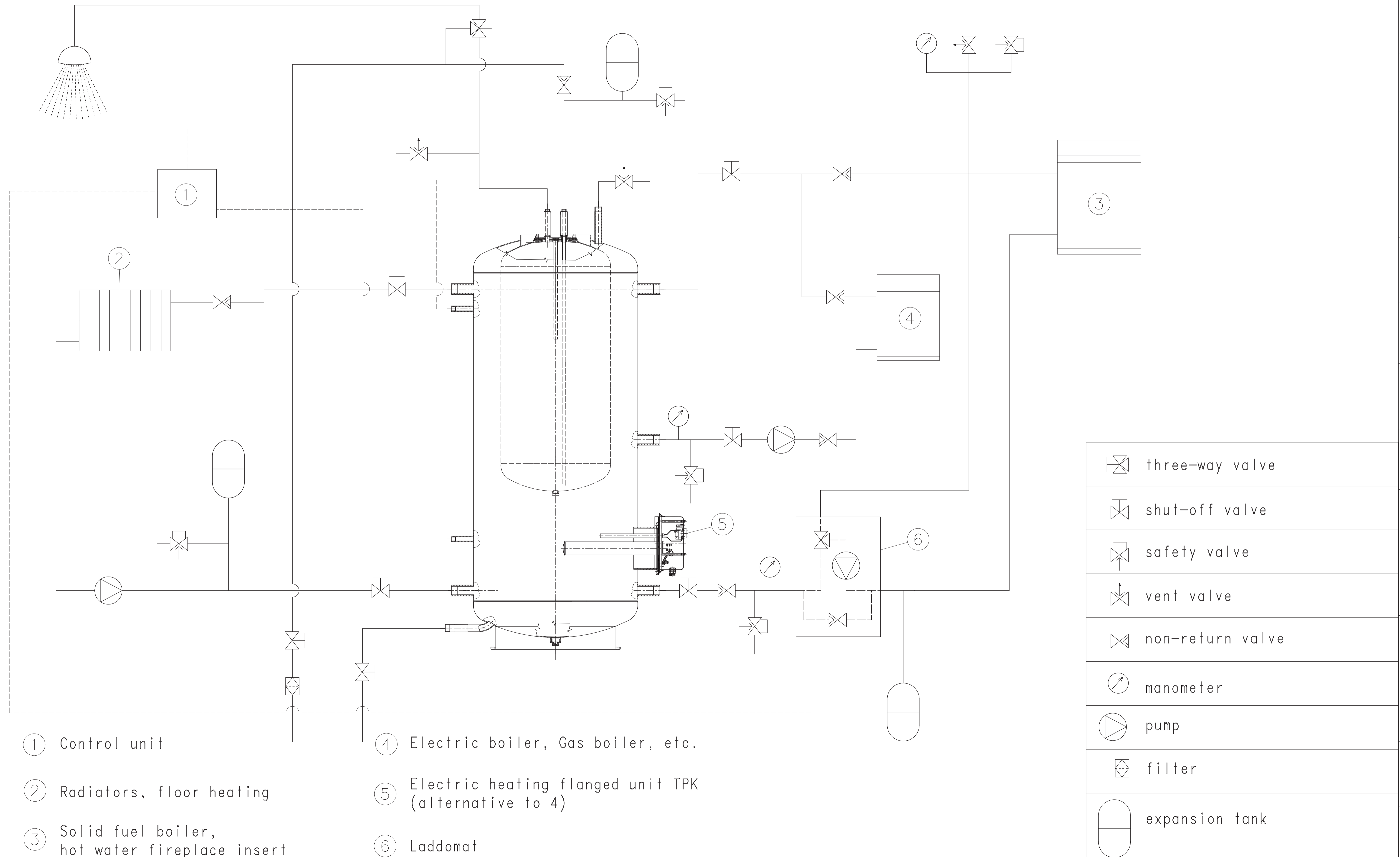


- ① Control unit
- ② Radiators, floor heating
- ③ Electric boiler, Gas boiler, etc.
- ④ Pump unit
- ⑤ Electric heating unit TJ (alternative to 3)
- ⑥ Hot water fireplace insert

	three-way valve
	shut-off valve
	safety valve
	vent valve
	non-return valve
	manometer
	thermometer
	pump
	filter
	expansion tank
	air separator

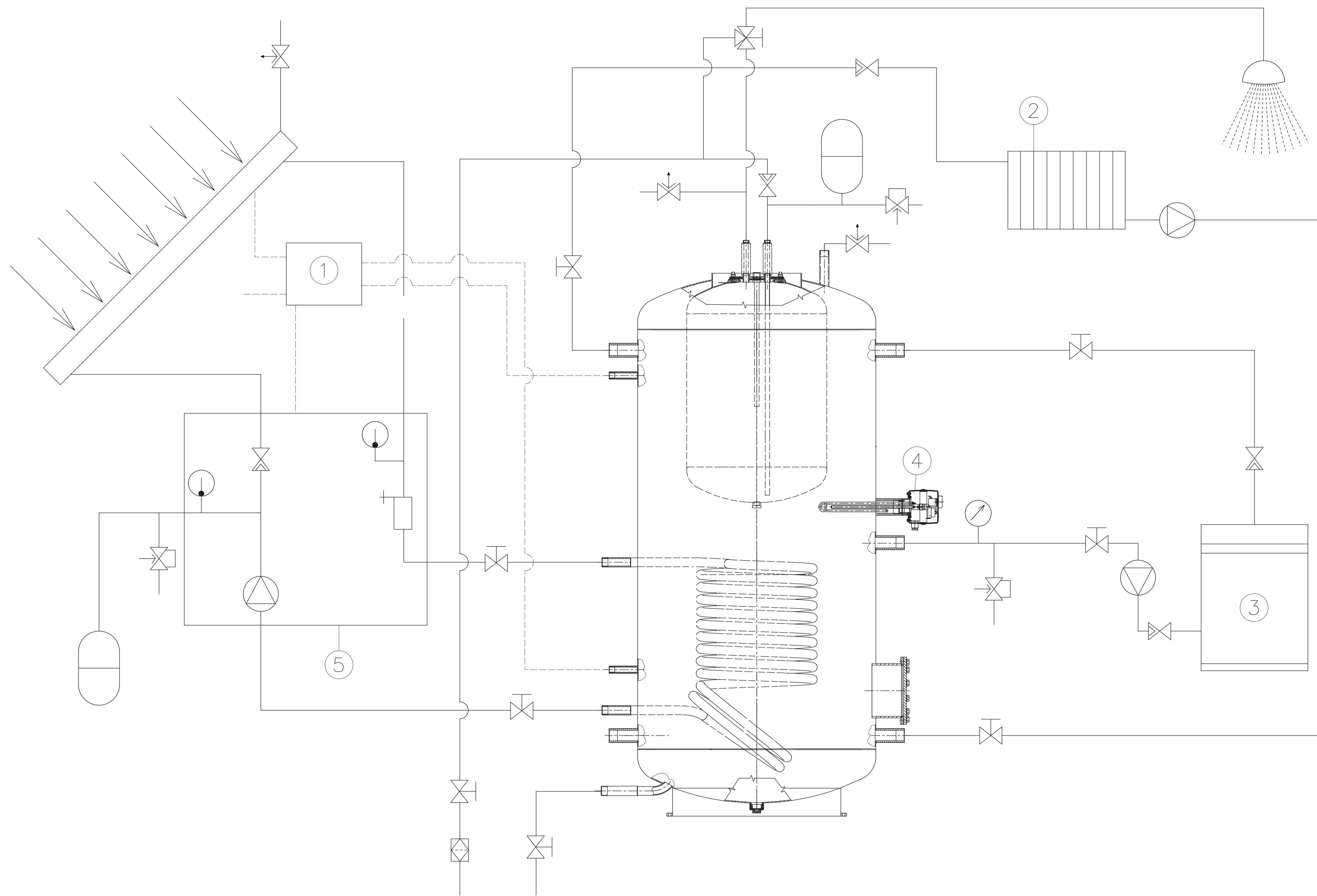
NADO 500(/300), 750(/250), 1000 v1 – Outline principle

The wiring diagram of product is only general and does not replace the respective project documentation. All wiring and connections of the product are to be in accordance with legal regulations, safety regulations and standards of the place/country in which the product is being connected/wired. In the event of the breach thereof, the manufacturer shall not be responsible for damages arisen therefrom.



NADO 500, 750, 1000 v2 – Outline principle

The wiring diagram of product is only general and does not replace the respective project documentation. All wiring and connections of the product are to be in accordance with legal regulations, safety regulations and standards of the place/country in which the product is being connected/wired. In the event of the breach thereof, the manufacturer shall not be responsible for damages arisen therefrom.

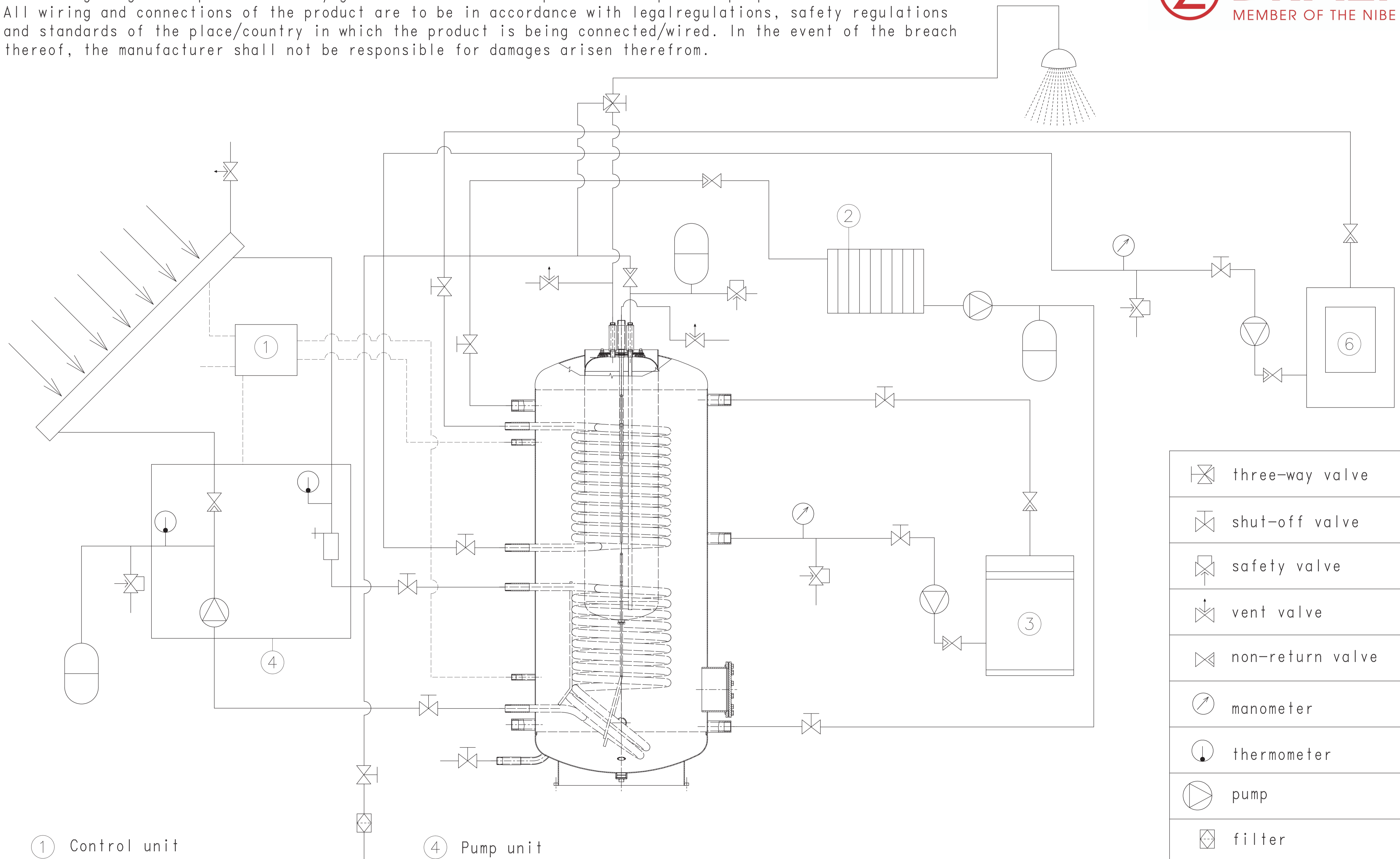


- ① Control unit
- ② Radiators, floor heating
- ③ Electric boiler, Gas boiler, etc.
- ④ Electric heating unit TJ (alternative to 3)
- ⑤ Pump unit

	three-way valve
	shut-off valve
	safety valve
	vent valve
	non-return valve
	manometer
	thermometer
	pump
	filter
	expansion tank
	air separator

NADO 500, 750, 1000 v3 – Outline principle

The wiring diagram of product is only general and does not replace the respective project documentation. All wiring and connections of the product are to be in accordance with legal regulations, safety regulations and standards of the place/country in which the product is being connected/wired. In the event of the breach thereof, the manufacturer shall not be responsible for damages arisen therefrom.

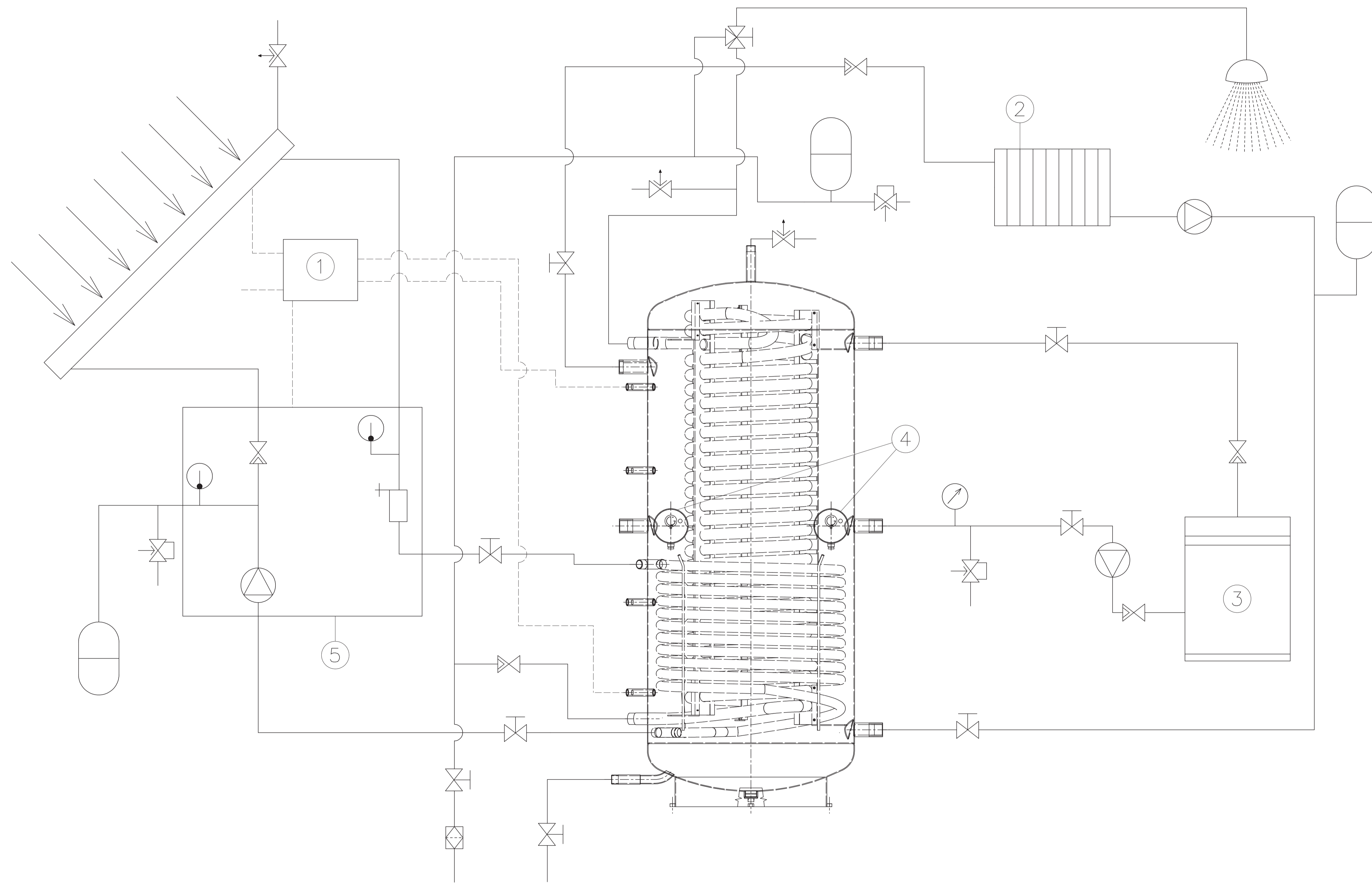



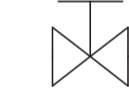









	three-way valve
	shut-off valve
	safety valve
	vent valve
	non-return valve
	manometer
	thermometer
	pump
	filter
	expansion tank
	air separator

- ① Control unit
- ② Radiators, floor heating
- ③ Electric boiler, Gas boiler, etc.
- ④ Pump unit
- ⑤ Electric heating unit TJ (alternative to 3)
- ⑥ Hot water fireplace insert

NADO 500, 750, 1000 v6 – Outline principle

The wiring diagram of product is only general and does not replace the respective project documentation. All wiring and connections of the product are to be in accordance with legal regulations, safety regulations and standards of the place/country in which the product is being connected/wired. In the event of the breach thereof, the manufacturer shall not be responsible for damages arisen therefrom.

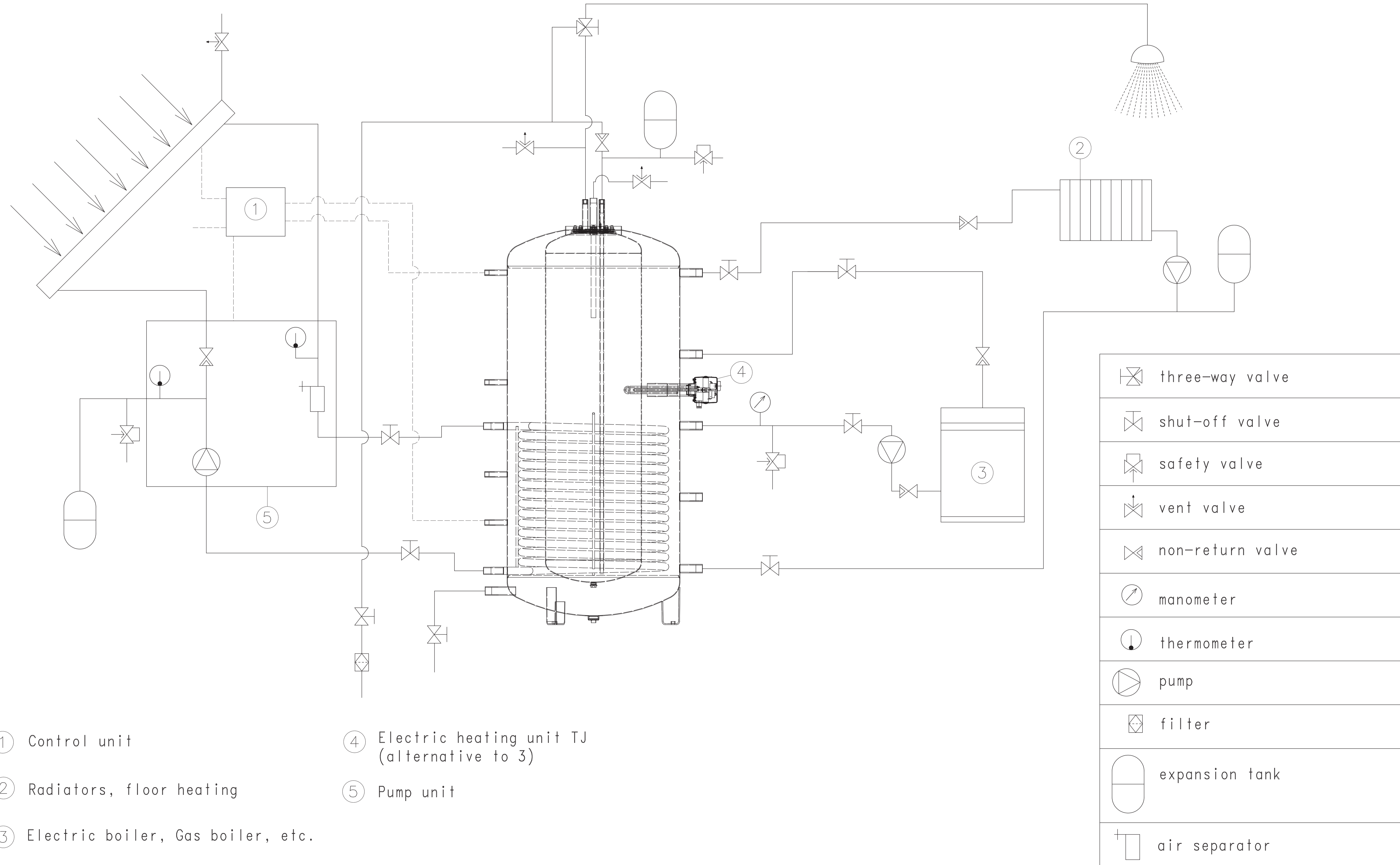


	three-way valve
	shut-off valve
	safety valve
	vent valve
	non-return valve
	manometer
	thermometer
	pump
	filter
	expansion tank
	air separator

- ① Control unit
- ② Radiators, floor heating
- ③ Electric boiler, Gas boiler, etc.
- ④ Electric heating unit TJ (alternative to 3)
- ⑤ Pump unit

NADO 500, 750, 1000 v7 – Outline principle

The wiring diagram of product is only general and does not replace the respective project documentation. All wiring and connections of the product are to be in accordance with legal regulations, safety regulations and standards of the place/country in which the product is being connected/wired. In the event of the breach thereof, the manufacturer shall not be responsible for damages arisen therefrom.



- ① Control unit
- ② Radiators, floor heating
- ③ Electric boiler, Gas boiler, etc.
- ④ Electric heating unit TJ (alternative to 3)
- ⑤ Pump unit