

STORAGE TANKS



ESDRAŽICE

IT ALL BEGAN WITH A SIMPLE IDEA

to produce the most cost-efficient and trouble-free water heater – the best storage heater. Every year, we think we are close enough to our goal. And yet, every year we produce more sophisticated water heaters, storage tanks and heating elements, ...

Maximum user comfort, energy efficiency and environmental responsibility are the main driving forces in our daily work.



STORAGE TANKS /RESERVOIRS/ without DHW preparation	8	STORAGE TANK NAD v1
	10	STORAGE TANK NAD v2
	11	STORAGE TANK NAD v3
	12	STORAGE TANK NADS v3
	13	STORAGE TANK NAD v4
	14	STORAGE TANK UKV
<hr/>		
STORAGE TANKS /RESERVOIRS/ with DHW preparation	18	STORAGE TANK NADO v1
	20	STORAGE TANK NADOS v1
	22	STORAGE TANK NADO v2
	24	STORAGE TANK NADOS v2
	26	STORAGE TANK NADO v6
	28	STORAGE TANK NADO v11
<hr/>		
ACCESSORIES	32	HEAT INSULATION NEODUL LB PP
	33	IPS PROTECTX AND PROTECT CH
	34	ORIGINAL PARTS FROM DRAŽICE
	37	ACCESSORY TABLES
<hr/>		
ANOTHER ASSORTMENT	42	PHOTOVOLTAIC
	43	WATER HEATERS
	44	AIR CONDITION - SPLIT AND MULTISPLIT

Tolerance of all stated dimensions complies with ČSN ISO 2768-c
Z/T circuit socket = socket of heating sources and heating circuits
Note: * The value is derived by calculation

STORAGE TANKS

serve to accumulate excess heat from its source. The source may be a solid fuel boiler, heat pump, solar collectors, a fireplace insert etc. Some types of tanks allow combining and connecting multiple sources of heat.



NAD, NADS a UKV storage tanks
(without DHW preparation)
serve only for storing heat
in the heating system.

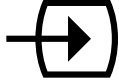


NADO a NADOS storage tanks
(with DHW preparation)
also allow indirect water heating or water
preheating for another water heater.

Legend to

ICONS

INLETS



Solid fuel boiler



Biomass boiler



Fireplace insert



Electric heating
– dry ceramic unit TPK 210–12



Electric heating
– wet unit TJ 6/4"



Heat pump



Photothermic solar system



Photovoltaic solar system

OUTLETS



Floor heating



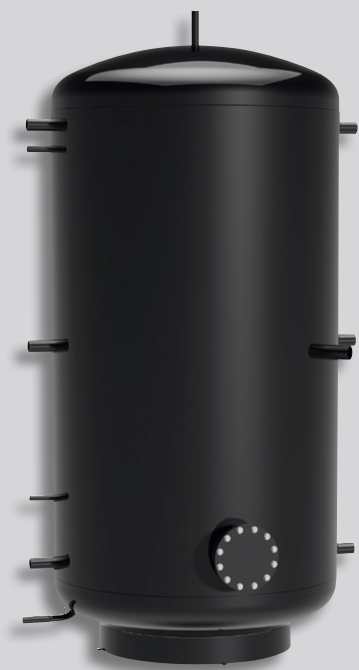
Radiator



Hot water







STORAGE TANKS

WITHOUT DHW PREPARATION

NAD v1 /types 50, 100 and 250/

STORAGE TANK

WITHOUT DHW PREPARATION



- Types: 50, 100, 250
- The tank is supplied with non-detachable insulation
- Suitable as an equalization tank for heating systems with solid fuel boilers
- Also suitable for cooling
- The TJ 6/4" heating unit can be mounted into the socket



NAD 50 v1, 100v1

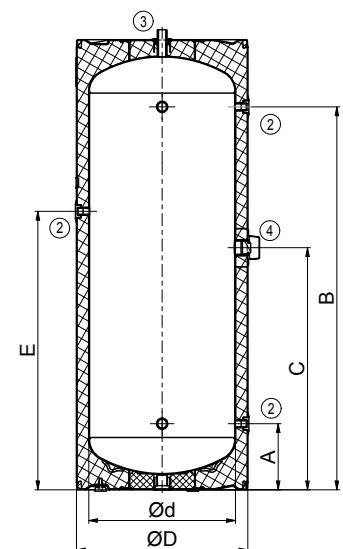
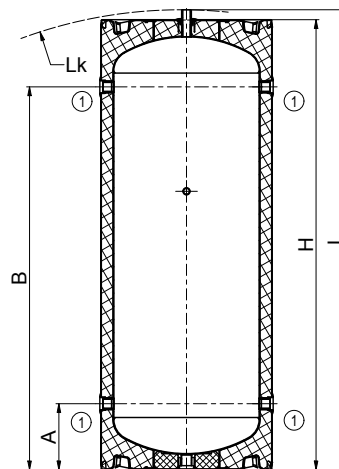
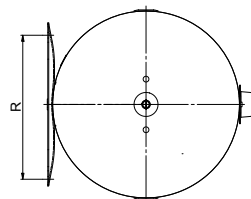
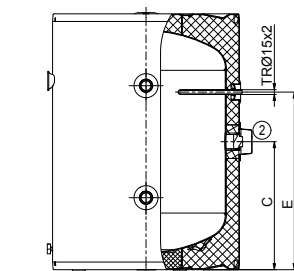
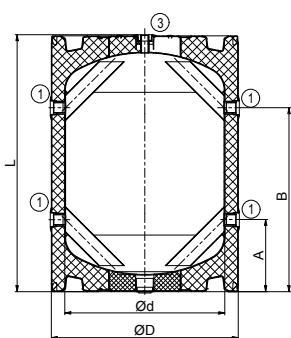


NAD 250 v1

Socket dimensions	NAD 50 v1	NAD 100 v1	NAD 250 v1
Socket 1	1" female thread		1" female thread
Socket 2	1 1/2" female thread		1/2" female thread
Socket 3	1/2" female thread		1" male thread
Socket 4	-		1 1/2" female thread

Technical parameters		NAD 50 v1	NAD 100 v1	NAD 250 v1
Order number		110580391	1108803102	1109803191
Heating water volume in tank	[l]	50	120	265
Weight (Netto)	[kg]	25	41	63
Max. operating temperature / pressure in tank	[°C] / [bar]	90 / 3		
Insulation thickness (Polyurethane)	[mm]	42		
Heat conductivity of insulation (Polyurethane)	[W·m ⁻¹ ·K ⁻¹]	0,022		
Insulation order number (Polyurethane)		tank component		
Max. number x output of TJ 6/4"	[pcs] x [kW]	1 x 3,3		1 x 6
Energy efficiency class (Polyurethane)			B	C
Standing loss (Polyurethane)	[W]	31	41	88

Tank dimensions		NAD 50 v1	NAD 100 v1	NAD 250 v1
Tank diameter with insulation	∅ D	524	584	584
Tank diameter	∅ d	440	500	500
Total tank height	L	561	803	1568
Tilting height	L _k	-	-	1605
Tank height	H	-	-	1535
Discharging connection	A	215	225	225
Z/T circuit socket	B	345	575	1305
TJ 6/4" heating unit socket	C	265	400	825
Sensor pocket socket	E	365	555	950
Spacing of user-type suspension	R	300-310, 350-372, 432-468		-



NAD 50, 100 v1

NAD 250 v1

NAD v1 /types 500–2000/

STORAGE TANK

WITHOUT DHW PREPARATION



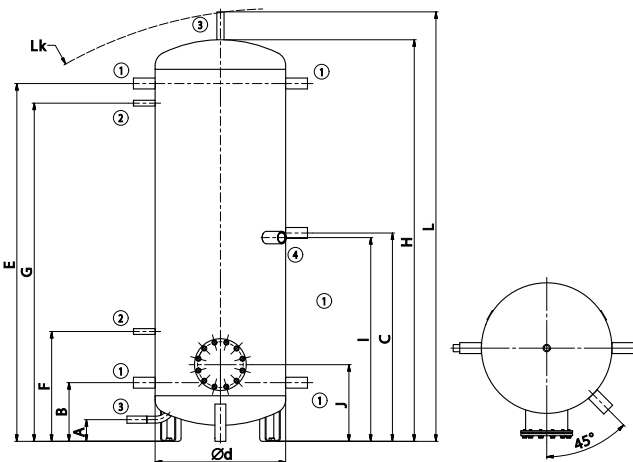
- Types: 500, 750, 1000, 1500, 2000 l
- The tank is supplied without insulation
- Modern Neodul insulation can be ordered
- Suitable as an equalization tank for heating systems with solid fuel boilers
- The TPK 210-12 heating unit can be mounted into the flange
- We can supply 2 more custom made flanges for the tank
- The TJ 6/4" heating unit can be mounted into the socket



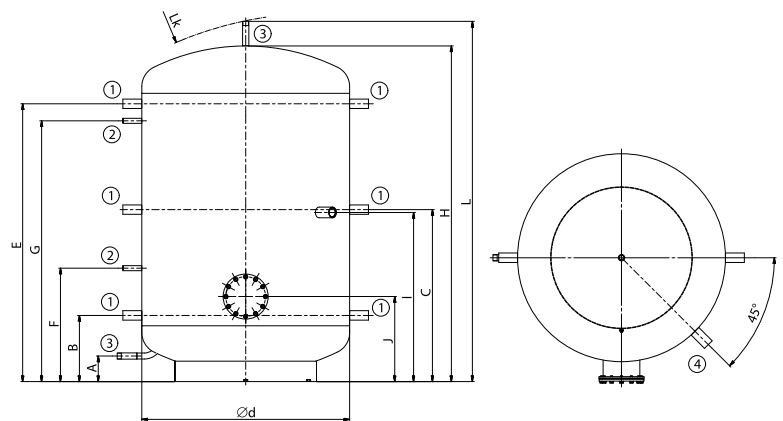
Socket dimensions	NAD 500 v1	NAD 750 v1	NAD 1000 v1	NAD 1500 v1	NAD 2000 v1
Socket 1 - female thread			1 ¼"		
Socket 2 - female thread			½"		
Socket 3 - male thread			1"		
Socket 4 - female thread			1 ½"		

Technical parameters		NAD 500 v1	NAD 750 v1	NAD 1000 v1	NAD 1500 v1	NAD 2000 v1
Order number		121380393	121680393	121580393	122180393	122280393
Heating water volume in tank	[l]	475	772	999	1507	2007
Weight (Netto)	[kg]	85	109	126	204	247
Max. operating temperature / pressure in tank	[°C] / [bar]	90 / 3				
Insulation thickness (Neodul LB PP)	[mm]	80			100	120
Heat conductivity of insulation (Neodul LB PP)	[W·m ⁻¹ ·K ⁻¹]	0,032				
Insulation order number (Neodul LB PP)		6231902	6231904	6231905	6231710	6231711
Insulation thickness (SYMBIO LB 100)	[mm]	100				
Heat conductivity of insulation (SYMBIO LB 100)	[W·m ⁻¹ ·K ⁻¹]	0,038				
Insulation order number (SYMBIO LB 100)		6231102	6231104	6231105		
Max. number × output of TPK 210-12	[pcs] × [kW]	1 × 12				
Max. number × output of TJ 6/4"	[pcs] × [kW]	1 × 9				
Energy efficiency class (Neodul LB PP)		C				
Standing loss (Neodul LB PP)	[W]	83	122	135	165	185

Tank dimensions		NAD 500 v1	NAD 750 v1	NAD 1000 v1	NAD 1500 v1	NAD 2000 v1
Tank diameter	∅ d	600	750	850	1100	1100
Total tank height	L	1970	2030	2040	1906	2436
Tilting height	L _k	1990	2050	2060	1925	2480
Tilting height	H	1847	1903	1916	1778	2307
Discharging connection	A	100	100	100	135	135
Z/T circuit socket	B	270	282	297	350	350
Z/T circuit socket	C	958	970	985	910	1175
Z/T circuit socket	E	1644	1656	1671	1470	2000
Sensor pocket socket	F	505	517	532	600	600
Sensor pocket socket	G	1554	1566	1581	1380	1910
TJ 6/4" heating unit socket	I	937	950	965	895	1160
Flange socket	J	353	366	381	450	450



NAD 500, 750, 1000 v1



NAD 1500, 2000 v1

NAD v3

STORAGE TANK

WITHOUT DHW PREPARATION



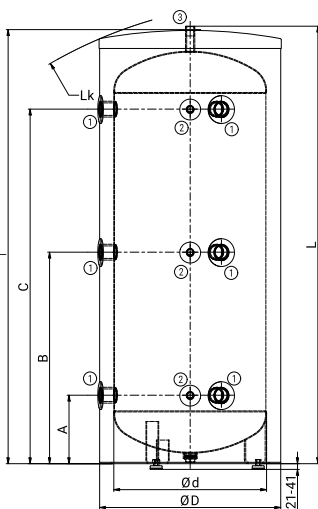
- Types: 300, 500, 750, 1000 l
- The tank is available with non-removable insulation in a model of 300 and without insulation in models of 500, 750, and 1000.
- Neodul insulation can be ordered for tanks of models 500-1000.
- Suitable as an equalization tank for heating systems with solid fuel boilers
- The TPK 210-12 heating unit can be mounted into the flange
- The TJ 6/4" heating unit can be mounted into the socket



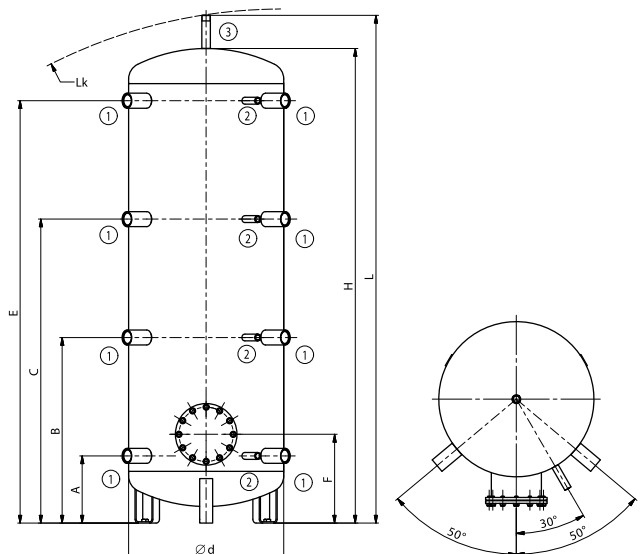
Socket dimensions	NAD 300 v3	NAD 500 v3	NAD 750 v3	NAD 1000 v3
Socket 1 - female thread		1 1/2"		
Socket 2 - female thread		1/2"		
Socket 3 - female thread		1"		

Technical parameters		NAD 300 v3	NAD 500 v3	NAD 750 v3	NAD 1000 v3
Order number		121080301	121380387	121680387	121580387
Heating water volume in tank	[l]	320	475	772	999
Weight (Netto)	[kg]	70	87	110	126
Max. operating temperature / pressure in tank	[°C] / [bar]	90 / 3			
Insulation thickness (Polyuretan)	[mm]	50	-		
Insulation thickness (Neodul LB PP)	[mm]	-	80		
Heat conductivity of insulation (Neodul LB PP)	[W·m ⁻¹ ·K ⁻¹]	0,032			
Insulation order number (Neodul LB PP)			6231912	6231906	6231910
Max. number × output of TPK 210-12	[pcs] × [kW]	-	1 × 12		
Max. number × output of TJ 6/4"	[pcs] × [kW]	1 × 3,3+3×9	2 × 3,3+4×9	2 × 3,75+4×9	2 × 6+4×9
Energy efficiency class (Neodul LB PP)		C			
Standing loss (Neodul LB PP)	[W]	80	83	122	135

Tank dimensions		NAD 300 v3	NAD 500 v3	NAD 750 v3	NAD 1000 v3
Tank diameter with Insulation	Ø D	650	-	-	-
Tank diameter	Ø d	550	600	750	850
Total tank height	L	1575	1970	2030	2040
Tilting height	L _k	1660	1990	2050	2060
Tank height	H	-	1847	1903	1916
Z/T circuit and sensor pocket socket	A	245	270	282	297
Z/T circuit and sensor pocket socket	B	760	728	739	755
Z/T circuit and sensor pocket socket	C	1275	1186	1197	1213
Z/T circuit and sensor pocket socket	E	-	1644	1656	1671
Flange socket	F	-	353	366	381



NAD 300 v3



NAD 500, 750, 1000 v3

NADS v3

STORAGE TANK

WITHOUT DHW PREPARATION



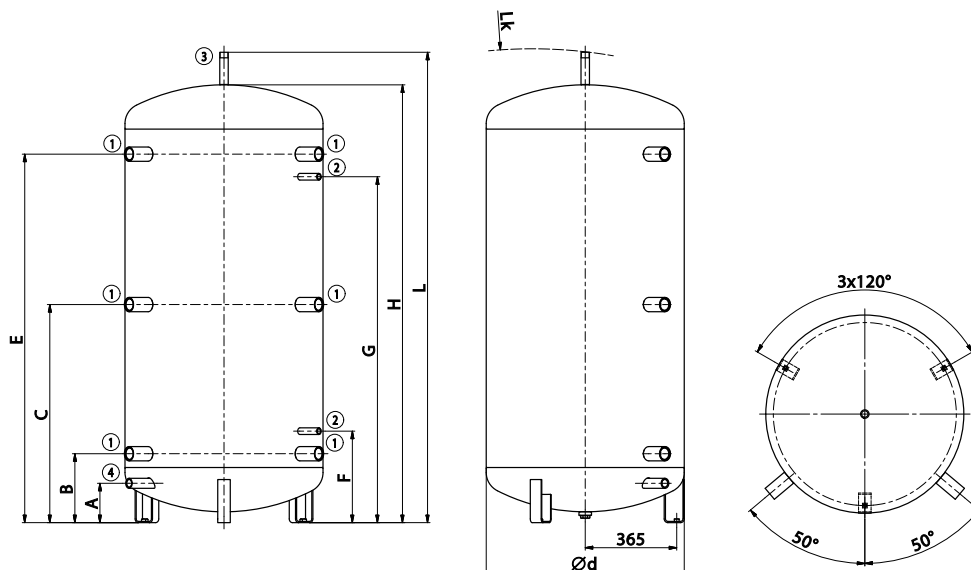
- Types: 800 l
- The tank is supplied without insulation
- Modern Neodul insulation can be ordered
- Suitable as an equalization tank for heating systems with solid fuel boilers
- The TJ 6/4" heating unit can be mounted into the socket
- The tank is dimensioned for passage through the 80 cm door



Socket dimensions	NADS 800 v3
Socket 1 – female thread	1 1/2"
Socket 2 – female thread	1/2"
Socket 3 – male thread	1"
Socket 4 – female thread	1"

Technical parameters		NADS 800 v3
Order number		121880387
Heating water volume in tank	[l]	775
Weight (Netto)	[kg]	100
Max. operating temperature / pressure in tank	[°C] / [bar]	90 / 3
Insulation thickness (Neodul LB PP)	[mm]	80
Heat conductivity of insulation (Neodul LB PP)	[W·m ⁻¹ ·K ⁻¹]	0,032
Insulation order number (Neodul LB PP)		6232097
Max. number × output of TJ 6/4"	[pcs] × [kW]	1 × 3,75+3×9
Energy efficiency class (Neodul LB PP)		C
Standing loss (Neodul LB PP)	[W]	116

Tank dimensions		NADS 800 v3
Tank diameter	∅ d	790
Total tank height	L	1880
Tilting height	L _k	1900
Tank height	H	1750
Discharging connection	A	157
Z/T circuit socket	B	275
Z/T circuit socket	C	870
Z/T circuit socket	E	1470
Sensor pocket	F	365
Sensor pocket	G	1380



NAD v4

STORAGE TANK

WITHOUT DHW PREPARATION



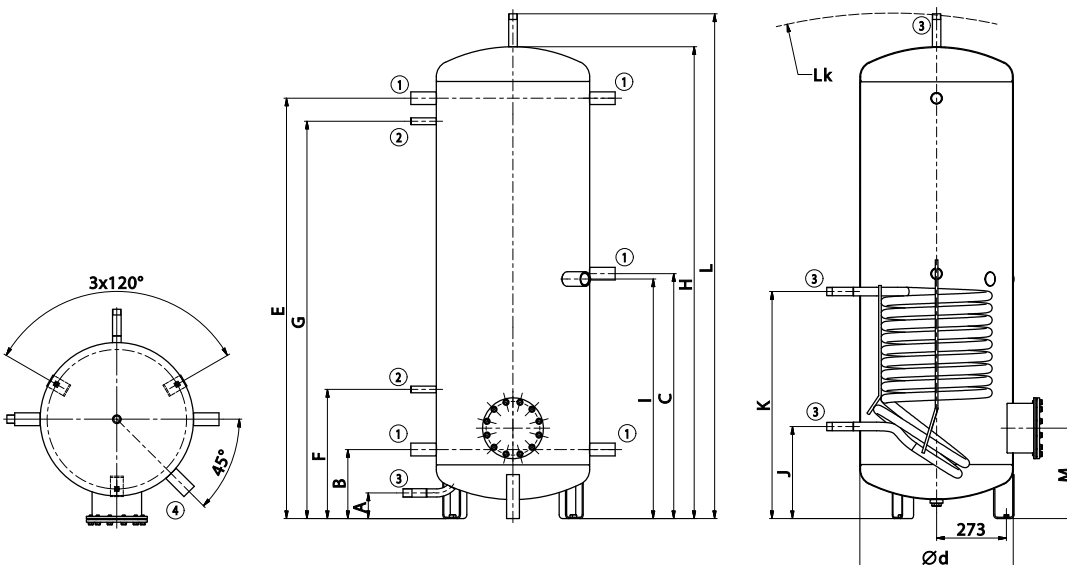
- Types: 500, 750, 1000 l
- The tank is supplied without insulation
- Modern Neodul insulation can be ordered
- Suitable as an equalization tank for heating systems with solid fuel boilers
- The TJ 6/4" heating unit can be mounted into the socket
- The TPK 210-12 heating unit can be mounted into the flange



Socket dimensions	NAD 500 v4	NAD 750 v4	NAD 1000 v4
Socket 1 – female thread		1 ¼"	
Socket 2 – female thread		½"	
Socket 3 – male thread		1"	
Socket 4 – female thread		1 ½"	

Technical parameters		NAD 500 v4	NAD 750 v4	NAD 1000 v4
Order number		121380395	121680395	121580395
Heating water volume in tank	[l]	475	772	999
Weight (Netto)	[kg]	110	135	149
Max. operating temperature / pressure in tank	[°C] / [bar]		90 / 3	
Heat transfer surface of exchanger	[m²]		1,4	
Exchanger volume	[l]		10,5	
Max. operating temperature / pressure in exchanger	[°C] / [bar]		110 / 10	
Insulation thickness (Neodul LB PP)	[mm]		80	
Heat conductivity of insulation (Neodul LB PP)	[W·m ⁻¹ ·K ⁻¹]		0,032	
Insulation order number (Neodul LB PP)		6231902	6231904	6231905
Insulation thickness (SYMBIO LB)	[mm]		100	
Heat conductivity of insulation (SYMBIO LB)	[W·m ⁻¹ ·K ⁻¹]		0,038	
Insulation order number (SYMBIO LB)		6231102	6231104	6231105
Max. number × output of TPK 210-12	[pcs] × [kW]	1 × 6		1 × 12
Max. number × output of TJ 6/4"	[pcs] × [kW]		1 × 9	
Energy efficiency class (Neodul LB PP)			C	
Standing loss (Neodul LB PP)	[W]	80	119	133

Tank dimensions		NAD 500 v4	NAD 750 v4	NAD 1000 v4
Tank diameter	∅ d	600	750	850
Total tank height	L	1970	2030	2040
Tilting height	L _k	1990	2050	2060
Tank height	H	1847	1903	1916
Discharging connection	A	100	100	100
Z/T circuit socket	B	270	282	297
Z/T circuit socket	C	958	970	985
Z/T circuit socket	E	1644	1656	1671
Sensor pocket socket	F	505	517	532
Sensor pocket socket	G	1554	1566	1581
TJ 6/4" heating unit socket	I	937	950	965
Heat exchanger socket	J	360	344	387
Heat exchanger socket	K	888	872	915
Flange socket	M	353	366	381



UKV**STORAGE TANK****WITHOUT DHW PREPARATION**

- Types: 300 nd 500 l
- The tank is supplied with non-detachable insulation
- Suitable as a storage tank for heating systems with heat pumps
- Also suitable for cooling
- The TJ 6/4" heating unit can be mounted into the socket

Socket dimensions	UKV 300	UKV 500
Socket 1	1 ¼" female thread	1 ½" female thread
Socket 2	1 ½" male thread	1" male thread
Socket 3	½" female thread	½" female thread
Socket 4	1" male thread	-



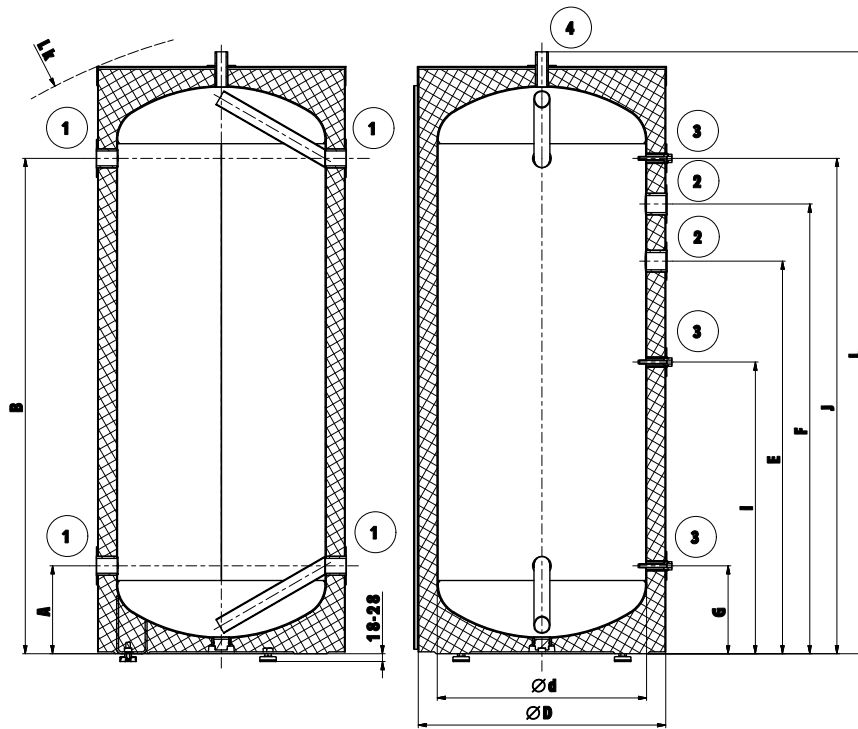
UKV 300



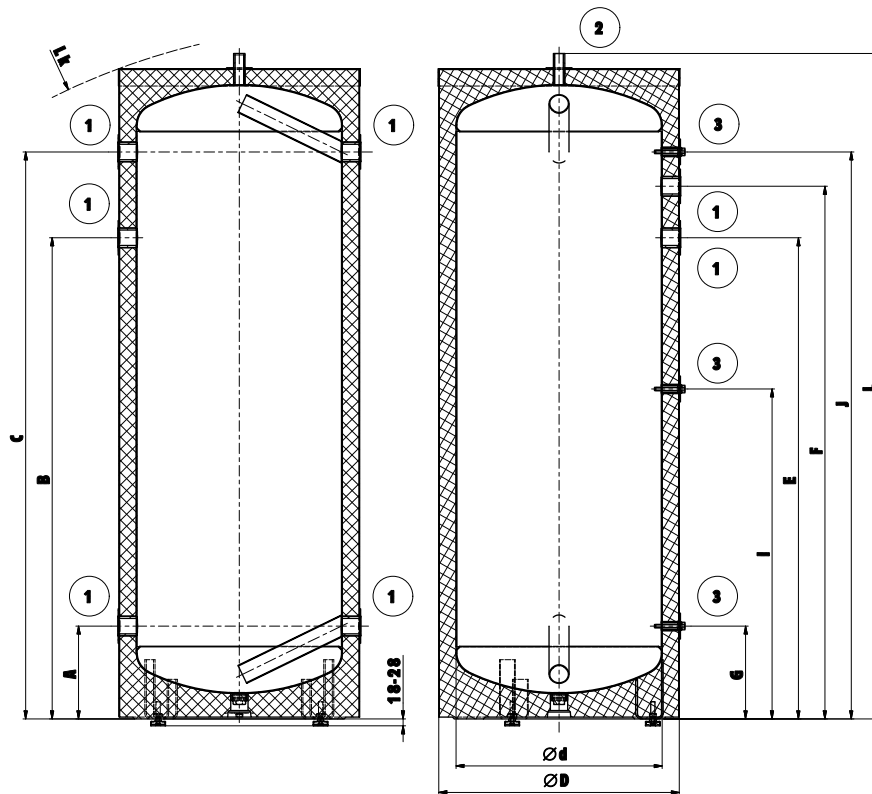
UKV 500

Technical parameters		UKV 300	UKV 500
Order number		1210803171	1213803137
Heating water volume in tank	[l]	316	470
Weight	[kg]	79	103
Max. operating temperature / pressure in tank	[°C] / [bar]		90 / 6
Insulation thickness (Polyurethane)	[mm]		50
Heat conductivity of insulation (Polyurethane)	[W·m ⁻¹ ·K ⁻¹]		0,022
Max. number × output of TJ 6/4"	[pcs] × [kW]	2 × 7,5	2 × 9
Energy efficiency class (Polyurethane)		C	C
Standing loss (Polyurethane)	[W]	79	96

Tank dimensions		UKV 300	UKV 500
Tank diameter	∅ d	550	600
Tank diameter with insulation	∅ D	650	700
Total tank height	L	1580	1937
Tilting height	L _k	1610	1980
Z/T circuit socket	A	230	270
Z/T circuit socket	B	1300	1400
Z/T circuit socket	C	-	1650
Heating unit socket	E	1030	1400
Heating unit socket	F	1180	1550
Sensor pocket socket	G	230	270
Sensor pocket socket	I	766	960
Sensor pocket socket	J	1300	1650



UKV 300



UKV 500





STORAGE TANKS

WITH DHW PREPARATION

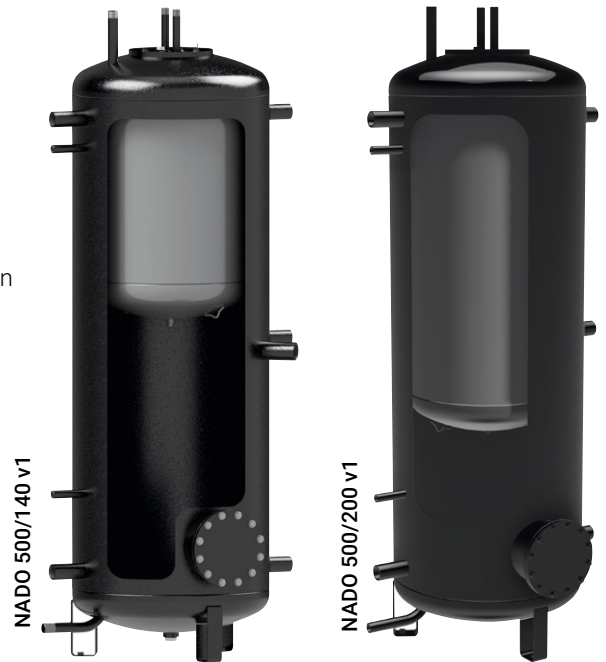
NADO v1

STORAGE TANK

WITH DHW PREPARATION



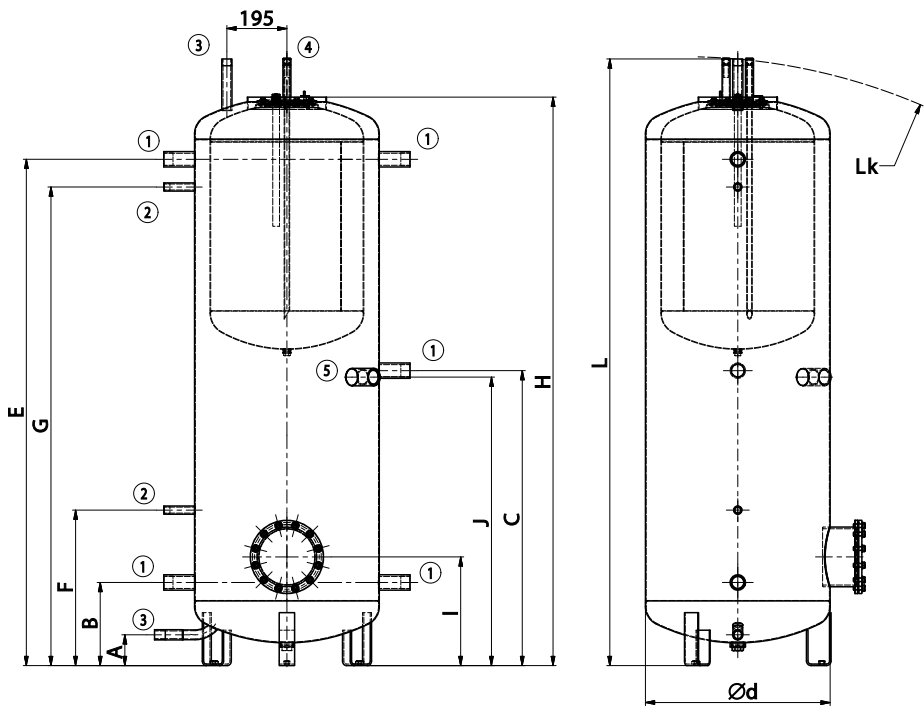
- Types: 500, 750, 1000 l
- Inner HW storage tank in volumes of 140 and 200 l
- The tank is supplied without insulation
- Modern Neodul insulation can be ordered
- Suitable as a storage tank for heating systems with solid fuel boilers
- The TPK 210-12 heating unit can be mounted into the flange
- The TJ 6/4" heating unit can be mounted into the socket for 140 l version



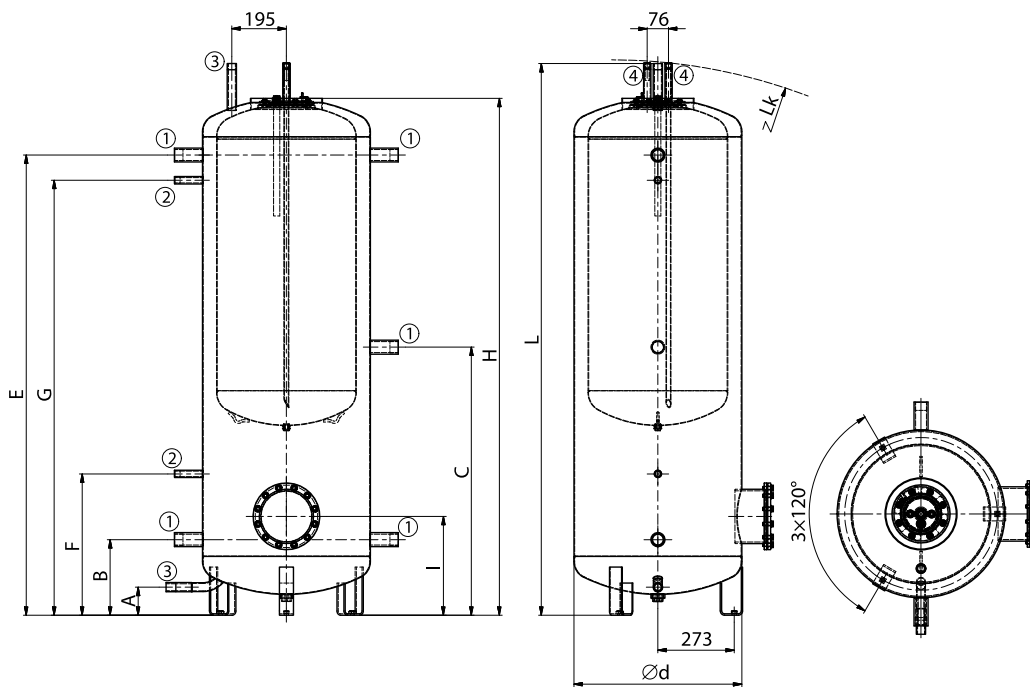
Socket dimensions	NADO 500 v1	NADO 750 v1	NADO 1000 v1
Socket 1 – female thread		1 ¼"	
Socket 2 – female thread		½"	
Socket 3 – male thread		1"	
Socket 4 – male thread		¾"	
Socket 5 – female thread		1 ½"	

Technical parameters		NADO 500/140 v1	NADO 750/140 v1	NADO 1000/140 v1	NADO 500/200 v1	NADO 750/200 v1	NADO 1000/200 v1
Order number		121380315	121680315	121580315	121380397	121680397	121580397
Heating water volume in tank	[l]	475	772	999	475	772	999
Volume of storage tank for HW heating	[l]		140			210	
Weight (Netto)	[kg]	113	137	152	127	151	166
Max. operating temperature / pressure in tank	[°C] / [bar]	90 / 3					
Max. operating temp. / pressure in HW storage tank	[°C] / [bar]	90 / 6					
Heat transfer surface of HW storage tank	[m²]	1,43			1,95		
Capacity of hot water 40 °C at storage tank temp. 53 °C and inlet water 15 °C / HW flow rate*	[l] / [l·min ⁻¹]	260/5	490/5	750/5	260/ 10	490/ 10	750/ 10
Capacity of hot water 40 °C at storage tank temp 80 °C and inlet water 15 °C / HW flow rate*	[l] / [l·min ⁻¹]	650/5	1170/5	1450/5	650/ 10	1170/ 10	1450/ 10
Insulation thickness (Neodul LB PP)	[mm]	80					
Heat conductivity of insulation (Neodul LBPP)	[W·m ⁻¹ ·K ⁻¹]	0,032					
Insulation order number (Neodul LB PP)		6231902	6231904	6231905	6231902	6231904	6231905
Insulation thickness (SYMBIO LB)	[mm]	100					
Heat conductivity of insulation (SYMBIO LB)	[W·m ⁻¹ ·K ⁻¹]	0,038					
Insulation order number (SYMBIO LB)		6231102	6231104	6231105	6231102	6231104	6231105
Max. number × output of TPK 210-12	[pcs] × [kW]	1 × 12					
Max. number × output of TJ 6/4"	[pcs] × [kW]	1 × 9			-		
Energy efficiency class (Neodul LB PP)		B		C	B		C
Standing loss (Neodul LB PP)	[W]	80	117	130	80	117	130

Tank dimensions		NADO 500/140 v1	NADO 750/140 v1	NADO 1000/140 v1	NADO 500/200 v1	NADO 750/200 v1	NADO 1000/200 v1
Tank diameter	Ø d	600	750	850	600	750	850
Total tank height	L	1970	2030	2040	1970	2030	2040
Tilting height	L _k	1990	2050	2060	1990	2050	2060
Tank height	H	1847	1903	1916	1847	1903	1916
Discharging connection	A	100	100	100	100	100	100
Z/T circuit socket	B	270	282	297	270	282	297
Z/T circuit socket	C	958	970	985	958	970	985
Z/T circuit socket	E	1644	1656	1671	1644	1656	1671
Sensor pocket socket	F	505	517	532	505	517	532
Sensor pocket socket	G	1554	1566	1581	1554	1566	1581
Flange socket	I	353	366	381	353	366	381
TJ 6/4" heating unit socket	J	937	950	965	-	-	-



NADO 500/140 v1



NADO 500/200 v1

NADOS v1

STORAGE TANK

WITH DHW PREPARATION



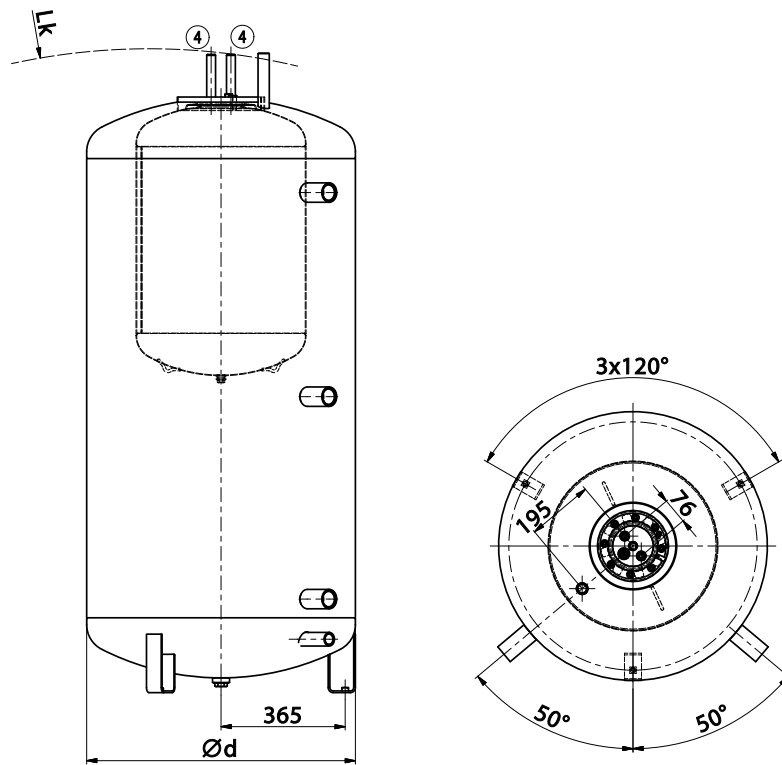
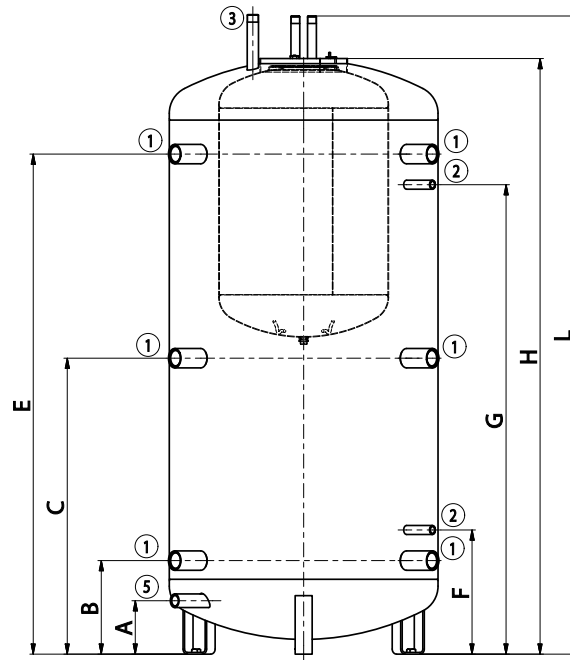
- Types: 800 l
- Inner HW storage tank in a volume of 140 l
- The tank is supplied without insulation
- Modern Neodul insulation can be ordered
- Suitable as an equalization tank for heating systems with solid fuel boilers
- The TJ 6/4" heating unit can be mounted into the socket
- The tank is dimensioned for passage through the 80 cm door



Socket dimensions	NADOS 800/140 v1
Socket 1 – female thread	1 1/2"
Socket 2 – female thread	1/2"
Socket 3 – male thread	1"
Socket 4 – male thread	3/4"
Socket 5 – female thread	1"

Technical parameters		NADOS 800/140 v1
Order number		121880315
Heating water volume in tank	[l]	775
Volume of storage tank for HW heating	[l]	140
Weight (Netto)	[kg]	128
Max. operating temperature / pressure in tank	[°C] / [bar]	90 / 3
Max. operating temperature / pressure in HW storage tank	[°C] / [bar]	90 / 6
Heat transfer surface of HW storage tank	[m ²]	1,43
Exchanger volume flow rate	[m ³ ·h ⁻¹]	0,3
Capacity of hot water 40 °C at storage tank temperature 53 °C and inlet water 15 °C / HW flow rate*	[l] / [l·min ⁻¹]	495/5
Capacity of hot water 40 °C at storage tank temperature 80 °C and inlet water 15 °C / HW flow rate*	[l] / [l·min ⁻¹]	1175 / 5
Insulation thickness (Neodul LB PP)	[mm]	80
Heat conductivity of insulation (Neodul LB PP)	[W·m ⁻¹ ·K ⁻¹]	0,032
Insulation order number (Neodul LB PP)		6232097
Max. number × output of TJ 6/4"	[pcs] × [kW]	1 × 3,75+2×9
Energy efficiency class (Neodul LB PP)		C
Standing loss (Neodul LB PP)	[W]	116

Tank dimensions		NADOS 800/140 v1
Tank diameter	∅ d	790
Total tank height	L	1880
Tilting height	L _k	1900
Tank height	H	1750
Discharging connection	A	157
Z/T circuit socket	B	275
Z/T circuit socket	C	870
Z/T circuit socket	E	1470
Sensor pocket	F	365
Sensor pocket	G	1380



NADOS v1

NADO v2

STORAGE TANK

WITH DHW PREPARATION



- Types: 500, 750, 1000 l
- Inner HW storage tank in a volume of 140 l
- The tank is supplied without insulation
- Modern Neodul insulation can be ordered
- Suitable as an storage tank for heating systems with solid fuel boilers and solar systems
- The TPK 210-12 heating unit can be mounted into the flange
- The TJ 6/4" heating unit can be mounted for tanks with inner storage tank in a volume of 140 l



Socket dimensions	NADO 500/140 v2	NADO 750/140 v2	NADO 1000/140 v2
Socket 1 – female thread		1 ¼"	
Socket 2 – female thread		½"	
Socket 3 – male thread		1"	
Socket 4 – male thread		¾"	
Socket 5 – female thread		1 ½"	

Technical parameters		NADO 500/140 v2	NADO 750/140 v2	NADO 1000/140 v2
Order number		121380391	121680391	121580391
Heating water volume in tank	[l]	475	772	999
Volume of storage tank for HW heating	[l]		140	
Weight (Netto)	[kg]	143	168	180
Max. operating temperature / pressure in tank	[°C] / [bar]		90 / 3	
Max. operating temperature / pressure in HW storage tank	[°C] / [bar]		90 / 6	
Heat transfer surface of HW storage tank	[m²]		1,43	
Max. operating temperature / pressure in exchanger	[°C] / [bar]		110 / 10	
Heat transfer surface of exchanger	[m²]		1,4	
Exchanger volume flow rate	[m³·h⁻¹]		0,3	
Exchanger volume	[l]		10,5	
Capacity of hot water 40 °C at storage tank temperature 53 °C and inlet water 15 °C / HW flow rate**	[l] / [l·min⁻¹]	260/5	490/5	750/5
Capacity of hot water 40 °C at storage tank temperature 80 °C and inlet water 15 °C / HW flow rate**	[l] / [l·min⁻¹]	650/5	1170/5	1450/5
Insulation thickness (Neodul LB PP)	[mm]		80	
Heat conductivity of insulation (Neodul LB PP)	[W·m⁻¹·K⁻¹]		0,032	
Insulation order number (Neodul LB PP)		6231902	6231904	6231905
Max. number × output of TPK 210-12	[pcs] × [kW]	1 × 6		1 × 12
Max. number × output of TJ 6/4"	[pcs] × [kW]		1 × 9	
Energy efficiency class (Neodul LB PP)		B		C
Standing loss (Neodul LB PP)	[W]	79	116	128

Tank dimensions		NADO 500/140 v2	NADO 750/140 v2	NADO 1000/140 v2
Tank diameter	Ø d	600	750	850
Total tank height	L	1970	2030	2040
Tilting height	L _k	1990	2050	2060
Tank height	H	1847	1903	1916
Discharging connection	A	100	100	100
Z/T circuit socket	B	270	282	297
Z/T circuit socket	C	958	970	985
Z/T circuit socket	E	1644	1656	1671
Sensor pocket socket	F	505	517	532
Sensor pocket socket	G	1554	1566	1581
TJ 6/4" heating unit socket	I	937	950	965
Heat exchanger socket	J	360	344	387
Heat exchanger socket	K	888	872	915
Flange socket	M	353	366	381

NADOS v2

STORAGE TANK

WITH DHW PREPARATION



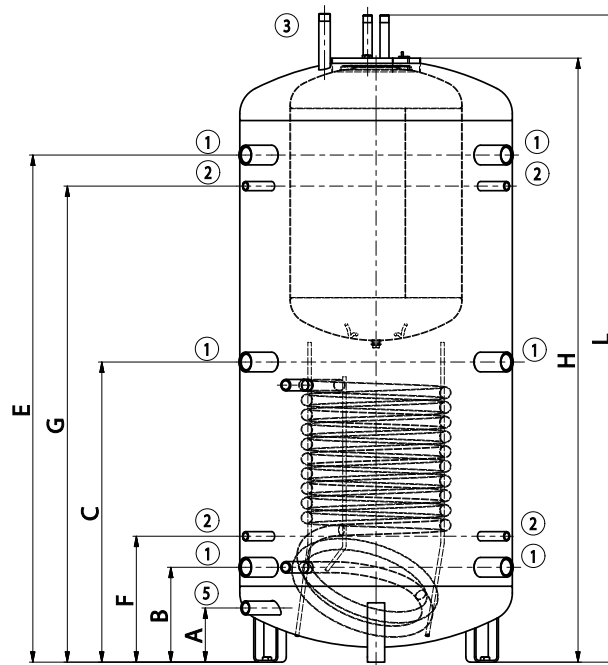
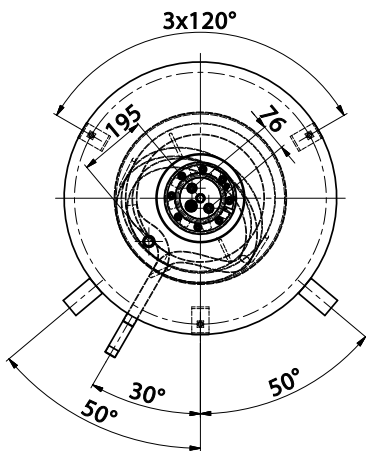
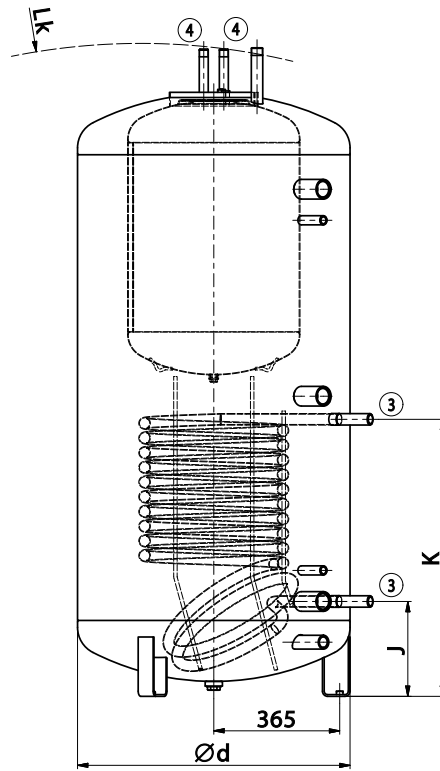
- Types: 800 l
- Inner HW storage tank in a volume of 140 l
- The tank is supplied without insulation
- Modern Neodul insulation can be ordered
- Suitable as an equalization tank for heating systems with solid fuel boilers
- The TJ 6/4" heating unit can be mounted into the socket
- The tank is dimensioned for passage through the 80 cm door



Socket dimensions	NADOS 800/140 v2
Socket 1 – female thread	1 1/2"
Socket 2 – female thread	1/2"
Socket 3 – male thread	1"
Socket 4 – male thread	3/4"
Socket 5 – female thread	1"

Technical parameters		NADOS 800/140 v2
Order number		121880391
Heating water volume in tank	[l]	775
Volume of storage tank for HW heating	[l]	140
Weight (Netto)	[kg]	155
Max. operating temperature / pressure in tank	[°C] / [bar]	90 / 3
Max. operating temperature / pressure in HW storage tank	[°C] / [bar]	90 / 6
Heat transfer surface of HW storage tank	[m ²]	1,43
Max. operating temperature / pressure in exchanger	[°C] / [bar]	110 / 10
Heat transfer surface of exchanger	[m ²]	1,5
Exchanger volume flow rate	[m ³ ·h ⁻¹]	0,3
Exchanger volume	[l]	10,5
Capacity of hot water 40 °C at storage tank temperature 53 °C and inlet water 15 °C / HW flow rate*	[l] / [l·min ⁻¹]	495/5
Capacity of hot water 40 °C at storage tank temperature 80 °C and inlet water 15 °C / HW flow rate*	[l] / [l·min ⁻¹]	1175 / 5
Insulation thickness (Neodul LB PP)	[mm]	80
Heat conductivity of insulation (Neodul LB PP)	[W·m ⁻¹ ·K ⁻¹]	0,032
Insulation order number (Neodul LB PP)		6232097
Max. number x output of TJ 6/4"	[pcs] x [kW]	1 x 3,75+1x9
Energy efficiency class (Neodul LB PP)		C
Standing loss (Neodul LB PP)	[W]	116

Tank dimensions		NADOS 800/140 v2
Tank diameter	Ø d	790
Total tank height	L	1880
Tilting height	L _k	1900
Tank height	H	1750
Discharging connection	A	157
Z/T circuit socket	B	275
Z/T circuit socket	C	870
Z/T circuit socket	E	1470
Sensor pocket	F	365
Sensor pocket	G	1380
Heat exchanger socket	J	275
Heat exchanger socket	K	803



NADOS 800/140 v2

NADO v6

STORAGE TANK

WITH DHW PREPARATION



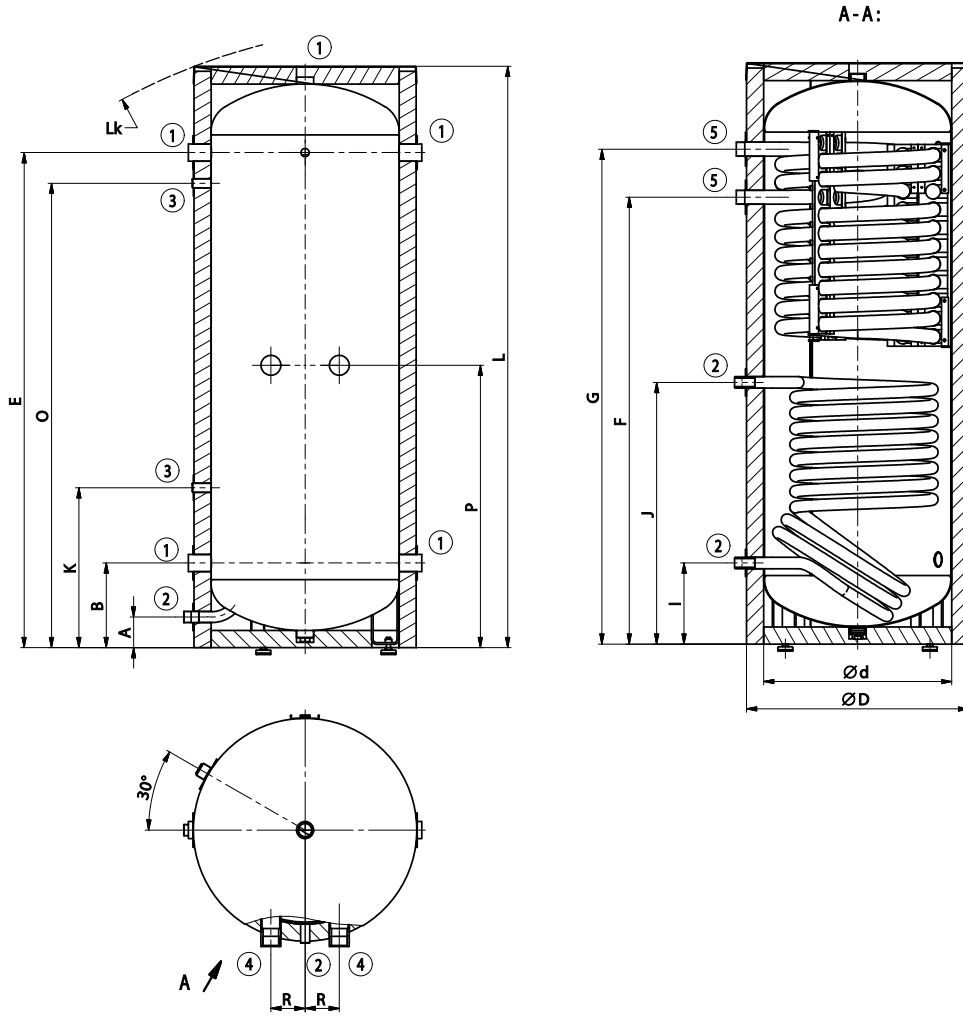
- Types: 300, 500, 750, 1000 l
- Heating by HW flow in a stainless steel exchanger with an above-average heat transfer surface
- The tank is available with non-removable insulation in a model of 300 and without insulation in models of 500, 750, and 1000.
- Modern Neodul insulation can be ordered
- Various heat sources can be connected such as biomass, coal, gas and electric boilers, heat pumps and solar collectors
- The TJ 6/4" electric cartridges can be mounted into sockets no. 4

Socket dimensions	NADO 300/20 v6	NADO 500/25 v6	NADO 750/35 v6	NADO 1000/45 v6
Socket 1 – female thread			1 ¼"	
Socket 2 – male thread			1"	
Socket 3 – female thread			½"	
Socket 4 – female thread			1 ½"	
Socket 5 – male thread			1 ¼"	

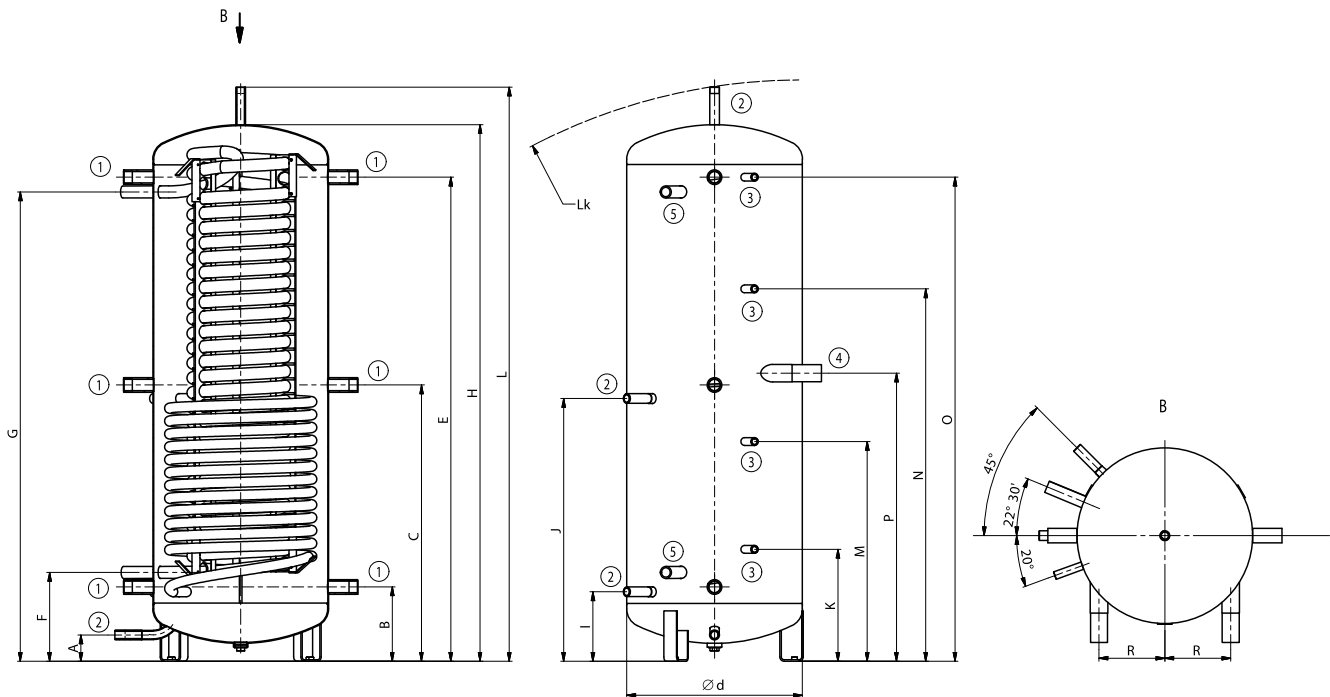


Technical parameters		NADO 300/20 v6	NADO 500/25 v6	NADO 750/35 v6	NADO 1000/45 v6
Order number		121080398	121380350	121680350	121580350
Heating water volume in tank	[l]	358	475	772	999
Exchanger volume for HW heating	[l]	20	23	32	37
Weight (Netto)	[kg]	106	134	165	197
Max. operating temperature / pressure in tank	[°C] / [bar]	90 / 3			
Max. operating temperature / pressure in exchanger TV	[°C] / [bar]	90 / 6			
Max. operating temperature / pressure in heat exchanger	[°C] / [bar]	110 / 10			
Heat transfer surface of exchanger TV	[m ²]	4,5	6,25	8,5	10
HW exchanger volume flow rate	[m ³ ·h ⁻¹]	0,6			
Heat transfer surface of heat exchanger (top / bottom)	[m ²]	- / 1,6	- / 2,2	- / 2,2	- / 3,3
Heat exchanger volume (top / bottom)	[l]	- / 12	- / 18	- / 18	- / 25
Capacity of hot water 40 °C at storage tank temperature 53 °C and inlet water 15 °C / HW flow rate*	[l] / [l·min ⁻¹]	210/ 10	260/ 10	490/ 10	750/ 10
Capacity of hot water 40 °C at storage tank temperature 80 °C and inlet water 15 °C / HW flow rate*	[l] / [l·min ⁻¹]	520/ 10	650/ 10	1170/ 10	1450/ 10
Insulation thickness (Neodul LB PP)	[mm]	60	80		
Heat conductivity of insulation (Neodul LB PP)	[W·m ⁻¹ ·K ⁻¹]	0,032			
Insulation order number (Neodul LB PP)		tank component	6231957	6231958	6231959
Max. num. x out. of TJ 6/4" h. unit with extended cooling section	[pcs] x [kW]	2 x 4,5	2 x 6		
Energy efficiency class (Neodul LB PP)		C			
Standing loss (Neodul LB PP)	[W]	97	91	114	148

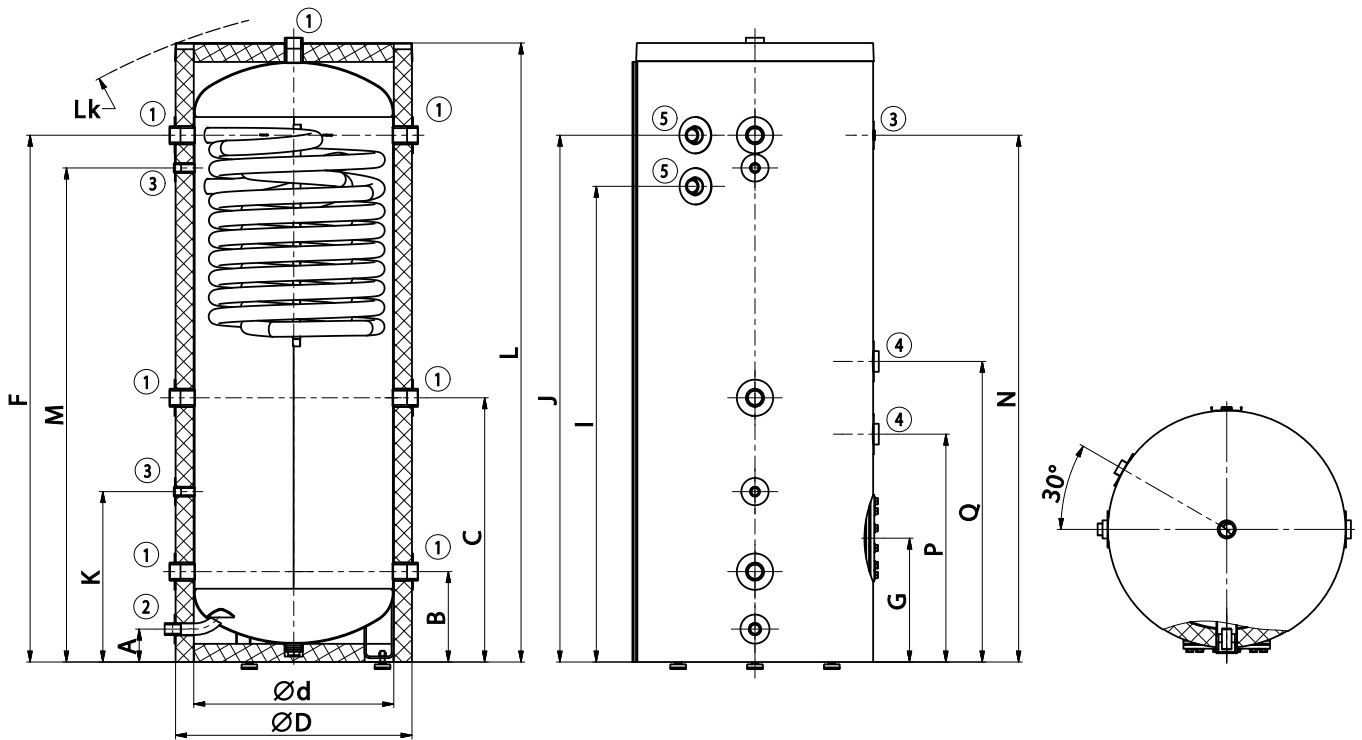
Tank dimensions		NADO 300/20 v6	NADO 500/25 v6	NADO 750/35 v6	NADO 1000/45 v6
Tank diameter	Ø d	550	600	750	850
Tank diameter with insulation	Ø D	670	-	-	-
Total tank height	L	1705	1970	2030	2040
Tilting height	L _k	1820	1990	2050	2060
Tank height	H	-	1847	1903	1916
Discharging connection	A	80	100	100	100
Z/T circuit socket	B	238	262	280	297
Z/T circuit socket	C	-	952	1018	1040
Z/T circuit socket	E	1438	1662	1680	1700
Socket TV – inlet	F	1299	312	320	380
Socket TV – outlet	G	1440	1612	1680	1700
Solar exchanger socket – outlet	I	228	245	270	280
Solar exchanger socket – inlet	J	756	905	884	980
Sensor pocket socket	K	458	392	415	463
Sensor pocket socket	M	-	762	742	755
Sensor pocket socket	N	-	1282	1219	1213
Sensor pocket socket	O	1348	1662	1695	1715
TJ 6/4" heating unit socket	P	816	992	1017	1040
TJ 6/4" heating unit socket	R	100	225	290	340



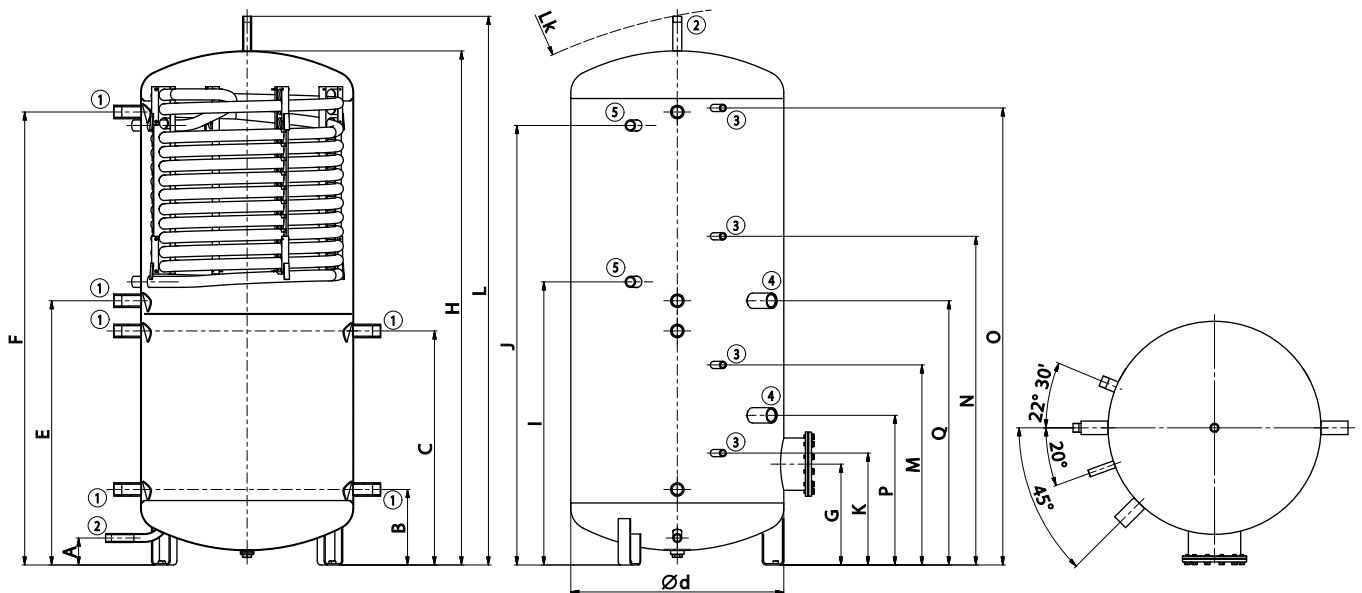
NADO 300/20 v6



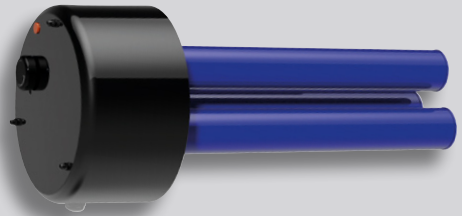
NADO 500, 750, 1000 v6



NADO 300, 400/20 v11

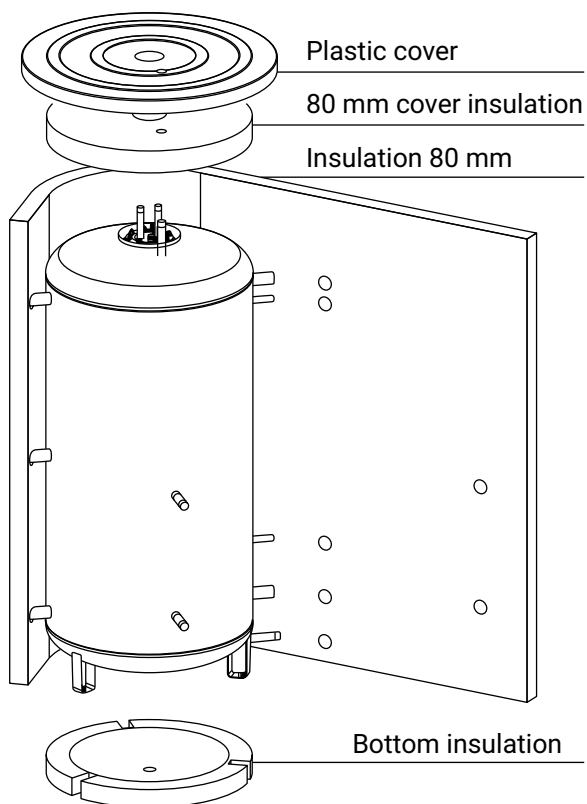


NADO 750, 1000/25 v11

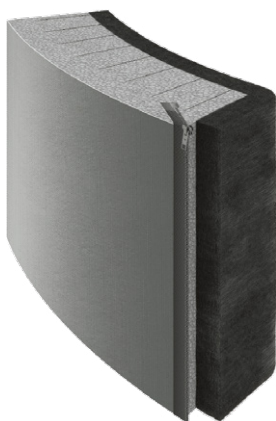




ACCESSORIES



- Delivery of NEODUL or SYMBIO variants
- Standard insulation thickness Neodul 80 mm and SYMBIO 100 mm
- Standard insulation in B and C energy classes
- Example of heat loss for 500 l tank: 1.9 kWh / 24 h with an insulation thickness of 80 mm
- The package includes lower and upper covers, flange and opening covers
- The NAD 50, 100, 250 v1 and UKV 300, 500 tanks are supplied with polyurethane insulation
- The fleece parts of the insulation contains 65% plastics from recycled PET bottles



Insulation cut with fastener NEODUL



Insulation cut with fastener SYMBIO

IPS ProtectX

IPS - IONIZATION POLARIZATION SYSTEM

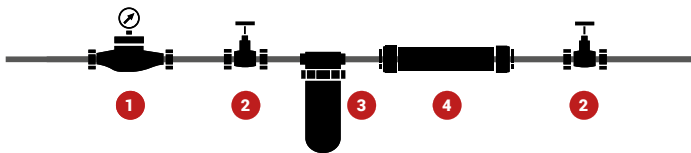
Equipment for the physical treatment of water in connection with the reduction of limestone for the protection of household appliances and water distribution systems



ADVANTAGES

- It prolongs the service life of heating equipment and sanitary equipment
- No external power supply
- Maintenance free
- Zero additional costs
- It does not use any chemicals
- Negligible pressure losses
- Patented product
- Certified effectiveness
- Blue line - suitable for all types of water supply, in addition it contains disinfectants, suitable e.g. for untreated water sources
- Red line - suitable for all types of water supply

INDICATIVE DIAGRAM OF THE IPS ProtectX EQUIPMENT LOCATION



1. Consumption meter
2. Shut-off valve
3. Mechanical dirt filter
4. IPS ProtectX

Order number	TYPE	DIMENSIONS (d × l)	MAXIMUM FLOW
100671000	ProtectX G ½" (red line)	50 × 245 mm	1 m³/h
100671001	ProtectX G ¾" (red line)	50 × 245 mm	3,2 m³/h
100671002	ProtectX G 1" (red line)	50 × 251 mm	4 m³/h
100671003	ProtectX G ½" (blue line)	50 × 245 mm	1 m³/h
100671004	ProtectX G ¾" (blue line)	50 × 245 mm	3,2 m³/h
100671005	ProtectX G 1" (blue line)	50 × 251 mm	4 m³/h

PROTECT CH

MINI CHEMICAL WATER TREATMENT PLANT

Chemical water treatment plant for water that protects pipes and equipment against limescale deposits with a replaceable polyphosphate capsule.



ADVANTAGES:

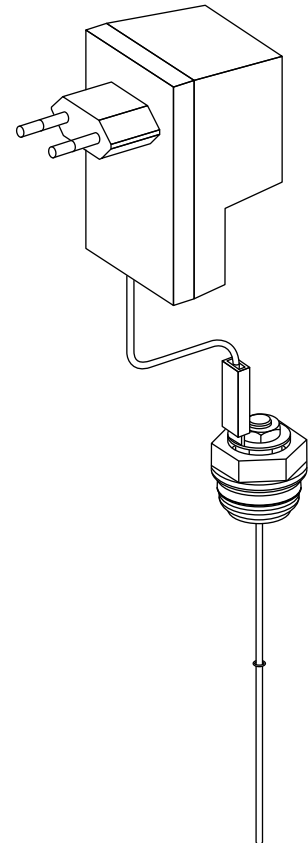
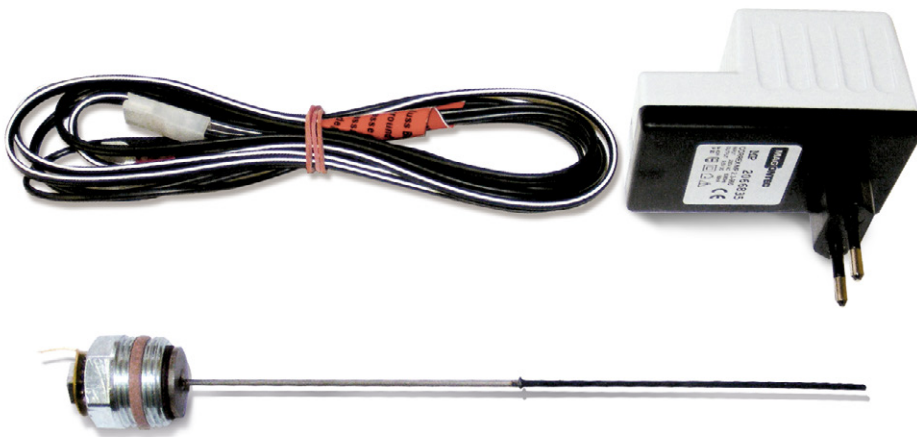
- Extends the service life of hot water heating appliance
- Installation on cold water supply in horizontal and vertical position
- Replaceable polyphosphate capsule, service life 1 – 2 months
- Maximum flow rate 1 200 l/hr
- The plant does not require a connection to electrical energy

Order Number: 100671022

ORIGINAL PARTS FROM DRAŽICE

- 24 month warranty period
- Reliability and high quality
- Guarantee of functionality and safety
- Guaranteed long life
- Identical components used in manufacturing

ANODE WITH EXTERNAL POWER SUPPLY



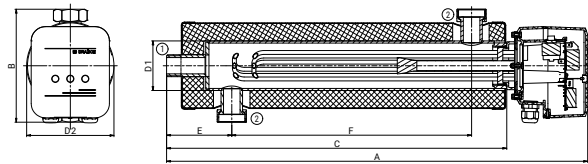
- Used for protection of inner enamel storage tanks and extends their life span
- Usable up to a volume of 300 l
- Maintenance free, wear proof
- To order

Order number	6199209
Diameter	2 mm
Length	200 mm
Coat length	100 mm













ORIGINAL PARTS FROM DRAŽICE

BIVALENT SOURCE TJ 2"

Type		TJ 2" EHP 6 kW	TJ 2" EHP 9 kW
Order number		2110553	2110551
Power consumption	[kW]	2 - 6	3 - 9
Extension length (± 10 mm)	[mm]		520
Weight	[kg]		5,5
Electrical connection		3/N/PE ~ 3× 230 V / 50 Hz, ⤿	
Recomm.circuit breaker value	[A]	3 × 16	
Degree of protection		IP44	



SCREW-TYPE ELECTRICAL HEATING UNITS OF THE TJ SERIES

Type		 TJ 6/4"-2	 TJ 6/4"-2,5	 TJ 6/4" S-2,5	 TJ 6/4"-3,3	 TJ 6/4"-3,75	 TJ 6/4" E-3,75	 TJ 6/4"-4,5	 TJ 6/4" E-4,5	 TJ 6/4"-6	 TJ 6/4" E-6	 TJ 6/4"-7,5	 TJ 6/4"-9
Order number		- / 2110353	- / 2110354	- / 2110361	2110355 / -	- / 2110356	2110365	- / 2110357	2110366	- / 2110358	2110367	2110359	2110360
Power consumption	[kW]	2	2,5	2,5	3,3	3,75	3,75	4,5	4,5	6	6	7,5	9
Extension length L/L1	[mm]	- / 380	- / 405	- / 405	325 / -	- / 450	450	- / 500	500	- / 520	520	685	690
Cold part of the heating unit (± 10 mm)		175	175	175	60	175	175	175	175	175	175	175	175
Weight	[kg]	1,2	1,3	1,3	1,7	2	2	2	2	2	2	2,3	2,3
Electrical connection		1/N/PE ~ 230 V / 50 Hz			3/N/PE ~ 3× 230 V / 50 Hz, ⤿						3/N/PE ~ 400 V / 50 Hz, Δ		
Recomm.circuit breaker value	[A]	16	16	16	3 × 10	3 × 10	3 × 10	3 × 10	3 × 10	3 × 16	3 × 16	3 × 16	3 × 20
Degree of protection		IP44											
Scale of set temperature	[°C]	5-74											
Heat. time approx. 150 l 10-60°C	[h]	4,5	4	4	2,7	2,3	2,3	2	2	1,5	1,5	1,3	1

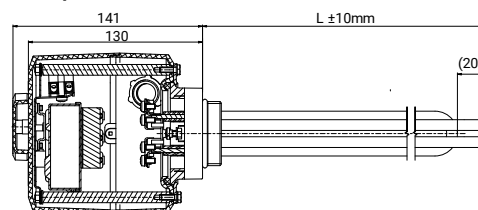
Suitable for photovoltaic applications 

Types TJ 6/4"-2 and TJ 6/4"-2,5 include flexible supply cable in the socket.

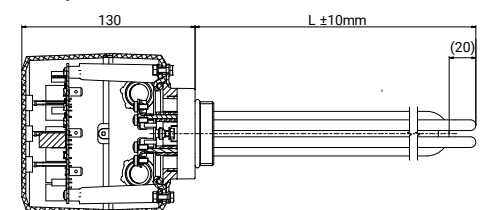
Extension lengths are in a tolerance of ± 10 mm.



TJ 6/4"



TJ 6/4" E

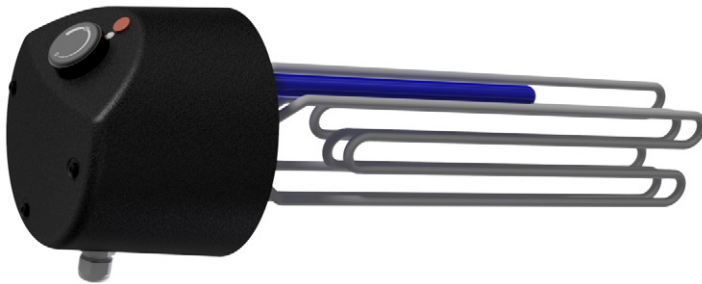


ORIGINAL PARTS FROM DRAŽICE

FLANGED ELECTRICAL HEATING UNITS OF THE TPJ SERIES

Type		TPJ 150-8/2,5 kW	TPJ 150-8/3,0 kW	TPJ 150-8/4,0 kW	RDU 18-6	RDW 18-7,5	TPJ 150-8/9,0 kW	TPJ 150-8/12 kW	TPJ 150-8/15 kW
Order number		2110700	2110701	2110702	100541564	100541570	2110705	2110706	2110707
Power consumption	[kW]	2,5	3	4	6	7,5	9	12	15
Weight	[kg]	3	3,5	3,5	3,5	3,7	4	4	4,2
Extension length	[mm]	450						580	
Electrical connection		1/N/PE ~ 230 V/ 50 Hz	3/N/PE ~ 3x 230 V/50 Hz, Δ		3/N/PE ~ 400 V/50 Hz, Δ				
Recomm. circuit breaker value	[A]	16	3 x 10	3 x 10	3 x 16	3 x 16	3 x 20	3 x 20	3 x 25
Degree of protection		IPX4							
Heat. time approx. 300 l 10–60 °C	[h]	7	6	4,5	3	2,5	2	1,5	1,3

Extension lengths are in a tolerance of ± 10 mm.



ORIGINAL PARTS FROM DRAŽICE

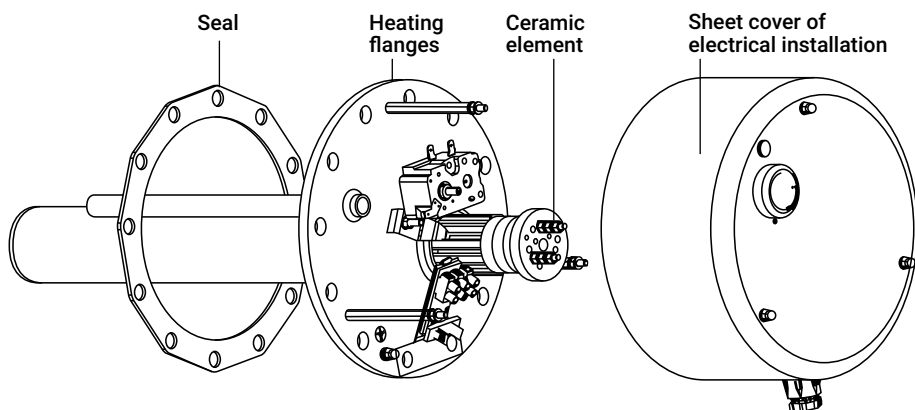
FLANGED ELECTRICAL HEATING UNITS WITH CERAMIC BODY OF THE TPK SERIES

Type		TPK 150-8/2,2	TPK 150-8/3,3	TPK 168-8/2,2	TPK 168-8/3,3	TPK 210-12/2,2	TPK 210-12/3,3	TPK 210-12/6,6	TPK 210-12/9	TPK 210-12/12
Order number		2110409	2110427	2110055	2110428	2110053	2110429	2110410	2110430	2110414
Power consumption	[kW]	2,2	3,3	2,2	3,3	2,2	3,3	6,6	9	12
Weight	[kg]	4,2	5	4,2	5,5	6,6	12	13	13,6	14
Extension length	[mm]	400	340	400	340	440	440	440	550	550
Electrical connection		1/N/PE ~ 230 V/50 Hz	3/N/PE ~ 3× 230 V/ 50 Hz, Δ	1/N/PE ~ 230 V/50 Hz	3/N/PE ~ 3× 230 V/ 50 Hz, Δ	1/N/PE ~ 230 V/50 Hz	3/N/PE ~ 3× 230 V/ 50 Hz, Δ		3/N/PE ~ 400 V/50 Hz, Δ	
Recomm. circuit breaker value	[A]	16	3 × 10	16	3 × 10	16	3 × 10	3 × 16	3 × 20	3 × 25
Degree of protection		IP42								
Scale of set temperature	[°C]	5–74								

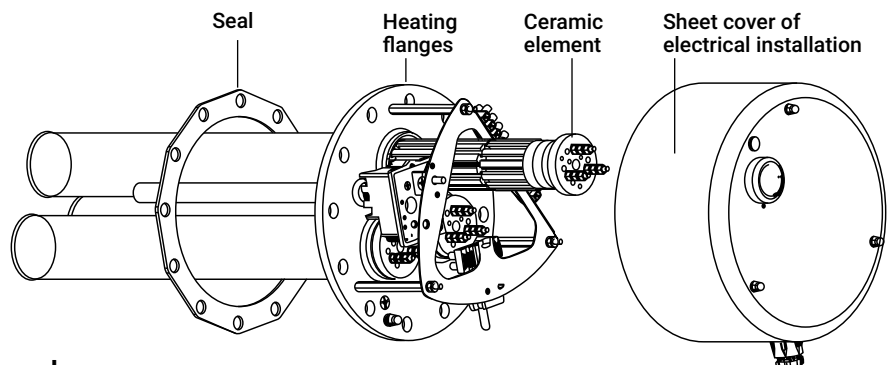
Extension lengths are in a tolerance of ± 10 mm.



COMPOSITION OF SINGLE- AND THREE-PHASE TPK HEATING FLANGE UNITS



TPK – single-phase



TPK – three-phase

ACCESSORY TABLES

MOUNTING OPTIONS FOR FLANGED ELECTRICAL HEATING UNITS OF THE TPJ, R SERIES

Type	TPJ 150-8/2,5 kW	TPJ 150-8/3,0 kW	TPJ 150-8/4,0 kW	RDU 18-6	RDW 18-7,5	TPJ 150-8/9,0 kW	TPJ 150-8/12 kW	TPJ 150-8/15 kW
NAD 500 v1	●	●	●	●	●	●	●	-
NAD 750 v1	●	●	●	●	●	●	●	●
NAD 1000 v1	●	●	●	●	●	●	●	●
NAD 500 v3	●	●	●	●	●	●	●	-
NAD 750 v3	●	●	●	●	●	●	●	●
NAD 1000 v3	●	●	●	●	●	●	●	●
NAD 500 v4	●	●	●	●	●	●	-	-
NAD 750 v4	●	●	●	●	●	●	●	-
NAD 1000 v4	●	●	●	●	●	●	●	●
NADO 500/140 v1	●	●	●	●	●	●	●	-
NADO 750/140 v1	●	●	●	●	●	●	●	●
NADO 1000/140 v1	●	●	●	●	●	●	●	●
NADO 500/200 v1	●	●	●	●	●	●	●	-
NADO 750/200 v1	●	●	●	●	●	●	●	●
NADO 1000/200 v1	●	●	●	●	●	●	●	●
NADO 500/140 v2	●	●	●	●	●	●	-	-
NADO 750/140 v2	●	●	●	●	●	●	●	-
NADO 1000/140 v2	●	●	●	●	●	●	●	●
NADO 300/20 v11	●	●	●	●	●	●	-	-
NADO 400/20 v11	●	●	●	●	●	●	-	-
NADO 750/25 v11	●	●	●	●	●	●	●	-
NADO 1000/25 v11	●	●	●	●	●	●	●	●

● can only be fitted with the 210/150 reduction flange 210/150, - cannot be fitted

MOUNTING OPTIONS FOR FLANGED ELECTRICAL HEATING UNITS OF THE TPK SERIES

Type	TPK 150-8/2,2 kW	TPK 150-8/3,3 kW	TPK 168-8/2,2 kW	TPK 168-8/3,3 kW	TPK 210-12/2,2 kW	TPK 210-12/3,3 kW	TPK 210-12/6,6 kW	TPK 210-12/9 kW	TPK 210-12/12 kW
NAD 500 v1	-	-	-	-	▲	▲	▲	▲	▲
NAD 750 v1	-	-	-	-	▲	▲	▲	▲	▲
NAD 1000 v1	-	-	-	-	▲	▲	▲	▲	▲
NAD 500 v3	-	-	-	-	▲	▲	▲	▲	▲
NAD 750 v3	-	-	-	-	▲	▲	▲	▲	▲
NAD 1000 v3	-	-	-	-	▲	▲	▲	▲	▲
NAD 500 v4	-	-	-	-	▲	▲	▲	-	-
NAD 750 v4	-	-	-	-	▲	▲	▲	▲	▲
NAD 1000 v4	-	-	-	-	▲	▲	▲	▲	▲
NADO 500/140 v1	-	-	-	-	▲	▲	▲	▲	▲
NADO 750/140 v1	-	-	-	-	▲	▲	▲	▲	▲
NADO 1000/140 v1	-	-	-	-	▲	▲	▲	▲	▲
NADO 500/200 v1	-	-	-	-	▲	▲	▲	▲	▲
NADO 750/200 v1	-	-	-	-	▲	▲	▲	▲	▲
NADO 1000/200 v1	-	-	-	-	▲	▲	▲	▲	▲
NADO 500/140 v2	-	-	-	-	▲	▲	▲	-	-
NADO 750/140 v2	-	-	-	-	▲	▲	▲	▲	▲
NADO 1000/140 v2	-	-	-	-	▲	▲	▲	▲	▲
NADO 300/20 v11	-	-	-	-	▲	▲	▲	-	-
NADO 400/20 v11	-	-	-	-	▲	▲	▲	-	-
NADO 750/25 v11	-	-	-	-	▲	▲	▲	▲	▲
NADO 1000/25 v11	-	-	-	-	▲	▲	▲	▲	▲

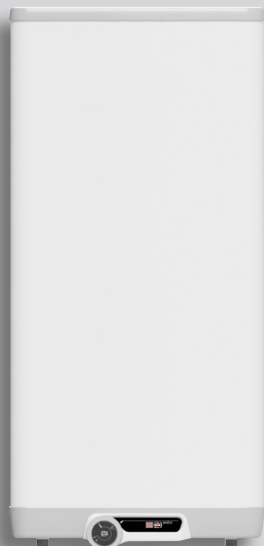
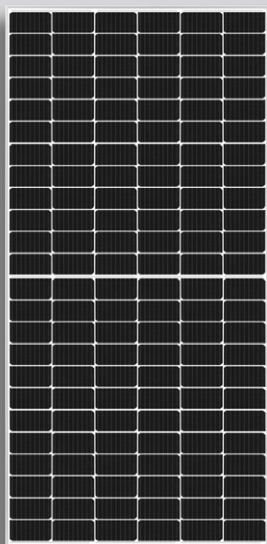
▲ can be fitted, - cannot be fitted

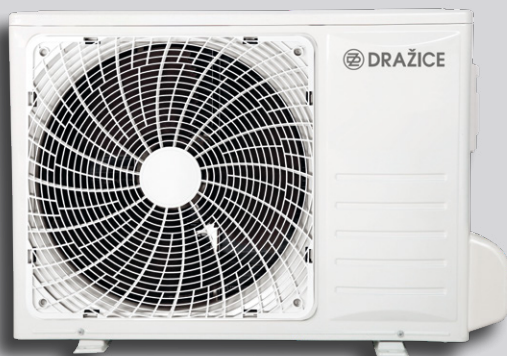
ACCESSORY TABLES

MOUNTING OPTIONS FOR SCREW-TYPE ELECTRICAL HEATING UNITS OF THE TJ SERIES

Type	TJ 6/4" - 2 *	TJ 6/4" - 2,5 *	TJ 6/4" S - 2,5 *	TJ 6/4" - 3,3	TJ 6/4" - 3,75 *	TJ 6/4" E - 3,75 *	TJ 6/4" - 4,5 *	TJ 6/4" E - 4,5 *	TJ 6/4" - 6 *	TJ 6/4" E - 6 *	TJ 6/4" - 7,5 *	TJ 6/4" - 9 *
NAD 50 v1	▲	▲	▲	▲	-	-	-	-	-	-	-	-
NAD 100 v1	▲	▲	▲	▲	▲	▲	▲	▲	▲	-	-	-
NAD 250 v1	▲	▲	▲	▲	▲	▲	▲	▲	▲	-	-	-
NAD 500 v1	▲	▲	▲	▲	▲	▲	▲	▲	▲	-	-	-
NAD 750 v1	▲	▲	▲	▲	▲	▲	▲	▲	▲	▲	▲	▲
NAD 1000 v1	▲	▲	▲	▲	▲	▲	▲	▲	▲	▲	▲	▲
NAD 500 v2	▲	▲	▲	▲	▲	▲	▲	▲	▲	-	-	-
NAD 750 v2	▲	▲	▲	▲	▲	▲	▲	▲	▲	▲	▲	▲
NAD 1000 v2	▲	▲	▲	▲	▲	▲	▲	▲	▲	▲	▲	▲
NAD 300 v3	▲	▲	▲	▲	▲	▲	▲	▲	▲	-	-	-
NAD 500 v3	▲	▲	▲	▲	▲	▲	▲	▲	▲	-	-	-
NAD 750 v3	▲	▲	▲	▲	▲	▲	▲	▲	▲	▲	▲	▲
NAD 1000 v3	▲	▲	▲	▲	▲	▲	▲	▲	▲	▲	▲	▲
NAD 500 v4	▲	▲	▲	▲	▲	▲	▲	▲	▲	-	-	-
NAD 750 v4	▲	▲	▲	▲	▲	▲	▲	▲	▲	▲	▲	▲
NAD 1000 v4	▲	▲	▲	▲	▲	▲	▲	▲	▲	▲	▲	▲
NADO 500/140 v1	▲	▲	▲	▲	▲	▲	▲	▲	▲	-	-	-
NADO 750/140 v1	▲	▲	▲	▲	▲	▲	▲	▲	▲	▲	▲	▲
NADO 1000/140 v1	▲	▲	▲	▲	▲	▲	▲	▲	▲	▲	▲	▲
NADO 500/140 v2	▲	▲	▲	▲	▲	▲	▲	▲	▲	-	-	-
NADO 750/140 v2	▲	▲	▲	▲	▲	▲	▲	▲	▲	▲	▲	▲
NADO 1000/140 v2	▲	▲	▲	▲	▲	▲	▲	▲	▲	▲	▲	▲
NADO 300/20 v6	▲	▲	▲	-	▲	▲	▲	▲	-	-	-	-
NADO 500/25 v6	▲	▲	▲	-	▲	▲	▲	▲	-	-	-	-
NADO 750/35 v6	▲	▲	▲	-	▲	▲	▲	▲	-	-	-	-
NADO 1000/45 v6	▲	▲	▲	-	▲	▲	▲	▲	-	-	-	-
NADO 300/20 v11	▲	▲	▲	▲	▲	▲	▲	▲	▲	-	-	-
NADO 400/20 v11	▲	▲	▲	▲	▲	▲	▲	▲	▲	-	-	-
NADO 750/25 v11	▲	▲	▲	▲	▲	▲	▲	▲	▲	▲	▲	▲
NADO 1000/25 v11	▲	▲	▲	▲	▲	▲	▲	▲	▲	▲	▲	▲
NADS 800 v3	▲	▲	▲	▲	▲	▲	▲	▲	▲	▲	▲	▲
NADOS 800/140 v1	▲	▲	▲	▲	▲	▲	▲	▲	▲	▲	▲	▲
NADOS 800/140 v2	▲	▲	▲	▲	▲	▲	▲	▲	▲	▲	▲	▲
UKV 300	▲	▲	▲	▲	▲	▲	▲	▲	▲	-	-	-
UKV 500	▲	▲	▲	▲	▲	▲	▲	▲	▲	-	-	-

* with extended cold side, ▲ can be fitted, - cannot be fitted



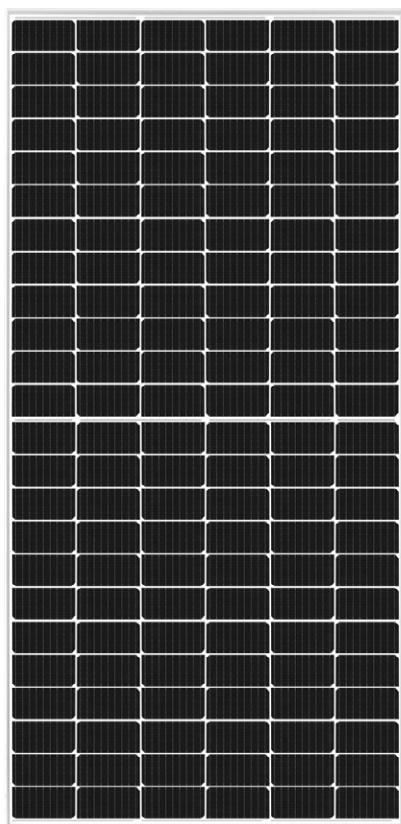


ANOTHER ASSORTMENT

PHOTOVOLTAIC
WATER HEATERS
AIR CONDITION

Complete photovoltaic solutions for your house.

More information can be found at www.dzd-solar.cz.



There is over 380 types of water heaters in product portfolio of Dražice.
Volume from 5l up to 1000l

Standart assortment - following the type of installation

- wall-mounted – vertically or horizontally
- floor-standing

Other assortment - following the type of heat source

- electric
- combined
- indirect



More information can be found at www.dzd.cz/en/ohrivace-a-zasobniky-teple-vody

SPLIT AIR is an air conditioner with one indoor unit designed for flats, family houses, offices or smaller facilities.

The air conditioner consists of an outdoor unit, one indoor unit and a smart remote controller.

All three performance variants of the AIR air conditioner offer cooling, heating, a fan and drying functions.

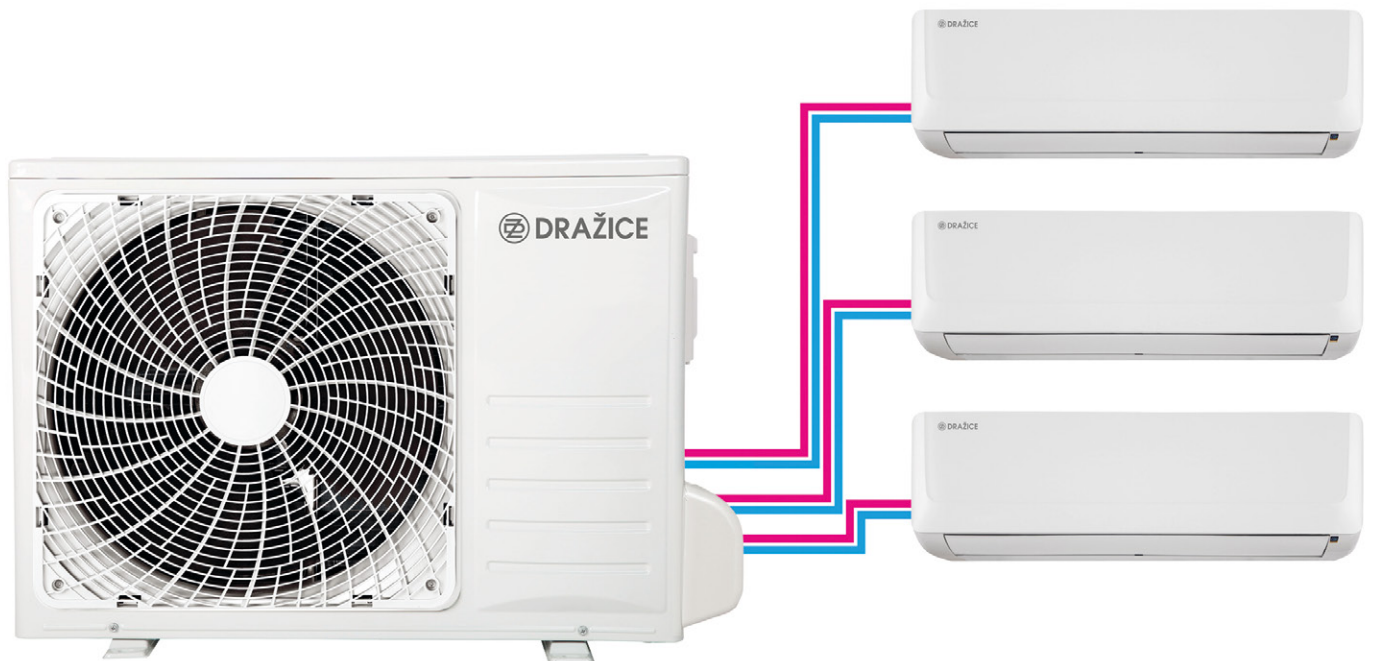


More information can be found at <https://dzd.cz/en/klimatizacni-jednotky>

The Multisplit AIR PLUS air conditioners are designed for systems with a requirement for more indoor units.

In this solution, one suitably dimensioned outdoor unit is supplemented by two to four indoor units of identical or different outputs so that the requirements of the project are optimally met.

By combining three types of outdoor units and four types of indoor units, practically any configuration of cooling and heating systems can be achieved exactly according to your needs.



More information can be found at <https://dzd.cz/en/klimatizacni-jednotky>

COMMENT

COMMENT

DRUŽSTEVNÍ ZÁVODY DRAŽICE-STROJÍRNA s.r.o.

Dražice 69, 294 71 Benátky nad Jizerou
Czech republic

tel.: +420/326 370 911

e-mail: info@dzd.cz

www.dzd.cz/en

www.dzd-solar.cz



PROUD
PARTNER OF

