

# WATER HEATERS AND HOT WATER STORAGE TANKS



ŠE DRAŽICE



**IT ALL BEGAN**  
WITH A SIMPLE IDEA



to produce the most cost-efficient and trouble-free water heater – the best storage heater. Every year, we think we are close enough to our goal. And yet, every year we produce more sophisticated water heaters, storage tanks and heating elements, ...

Maximum user comfort, energy efficiency and environmental responsibility are the main driving forces in our daily work.



<b>ELECTRIC WATER HEATERS</b>	8	WALL-MOUNTED VERTICAL OKHE ONE   OKHE SMART   OKHE   OKCE   OKCE 2/6 kW   OKCE 2/4 kW   OKCE 2/2 kW
	14	WALL-MOUNTED HORIZONTAL OKCEV
	15	NON-PRESSURE FLOW HEATERS PTO
	16	PRESSURE FLOW HEATERS MX
	17	SMALL CAPACITY PRESSURE AND NON PRESSURE WATER HEATERS TO 5.1   TO 10.1   TO 15   TO 20.1
<b>ELECTRIC WATER HEATERS AND STORAGE TANKS</b>	22	FLOOR-STANDING OKCE S/2,2 kW
	23	FLOOR-STANDING FOR INSTALATION ELECTRIC HEATING ELEMENT OKCE S
<b>COMBINED WATER HEATERS</b>	28	WALL-MOUNTED VERTICAL OKC
	29	WALL-MOUNTED HORIZONTAL OKCV
<b>HOT WATER STORAGE TANKS</b>	32	WALL-MOUNTED VERTICAL OKC/1 m <sup>2</sup>
	33	FLOOR-STANDING OKCE NTR/2,2 kW
	35	FLOOR-STANDING INDIRECT HEATING OKC NTR/BP   OKC NTRR/BP   OKC NTR   OKC NTRR OKC NTR/HV   OKH NTR/HV   OKC NTR/HP   OKC NTRR/HP/SOL
	46	FLOOR-STANDING OKC NTRR/SOL
<b>ACCESSORIES</b>	48	IPS ProtectX   Protect CH
	49	ORIGINAL PARTS FROM DRAŽICE
	52	ACCESSORY TABLES
<b>ANOTHER ASSORTMENT</b>	56	PHOTOVOLTAIC
	56	STORAGE TANKS
	57	AIR-CONDITIONING - SPLIT AND MULTISPLIT

Tolerance of all stated dimensions complies with ČSN ISO 2768-c.

Note: \* The value is derived by calculation \*\* For models 200 and 250, a 6 bar safety valve is included.

## MAIN ADVANTAGES

### RELIEF VALVE T-3160



The relief valve consists of a brass body (designed for contact with drinking water) without surface treatment and a replaceable head.

The point of contact between the body and the head is sealed with an O-ring made of EPDM rubber and secured against separation by a cotter pin made of corrosion proof steel.

The advantage of the T-3160 relief valve is the easy installation and replacement of the head without the need to replace the brass body. It has a removable safety part that can be purchased as a spare part at DZ Dražice company. It connects to an external thread, making it easy to connect to the system. The drain can be adjusted in any direction within 360°. Precise adjustment of the opening pressure is guaranteed.

Each valve has a non-interchangeable identification, which can be used to obtain feedback on the behaviour of the valve in operation, or used in a complaint.

### CRYSTAL ENAMEL®



DZD water heaters and hot water storage tanks are protected inside by a unique Crystal Enamel anti-corrosion coating developed in cooperation with the German company Wendel. This layer is hygienically clean and therefore suitable for permanent contact with drinking water. Unlike the stainless steel, Crystal Enamel is resistant to pitting corrosion in the environment of hard and chlorinated water.

### THERMO GEN®



Thermogen4 is the fourth generation of our exclusive insulating foam, which has been developed in cooperation with the company of Covestro, for attaining the most optimal heat-loss coefficients. The key here is a unique mixture tailor-made for our heaters. Its qualities are in line with all current and future trends in the field of heaters. It excels both in its insulating qualities as well as its shape integrity. Moreover, we are one of the first manufacturers in Europe able to meet the strictest ecological requirements of the EU, and thereby significantly contribute to protecting the atmosphere and the environment.

### CERAMIC SOLUTION®



The Ceramic Solution electrical heating unit is exceptionally resistant to hard and aggressive water and significantly extends the life of the water heater and storage tank under any conditions. This ensures the long-term stable performance of the heater system due to reduced limescale. DZD is a pioneer in this water heating solution; they have been using it in their products for over 50 years.





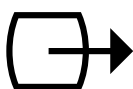
INLETS



Legend to

## ICONS

OUTLETS



INSTALLATION



Gas boiler



Solid fuel boiler



Biomass boiler



Fireplace insert



Electric heating – dry ceramic electrical heating unit TPK



Electric heating – wet electrical heating unit TJ 6/4"



Electric heating – series R, SE electrical heating unit



Electrical heating unit (part of the product)



Heat pump



Photothermic solar power system



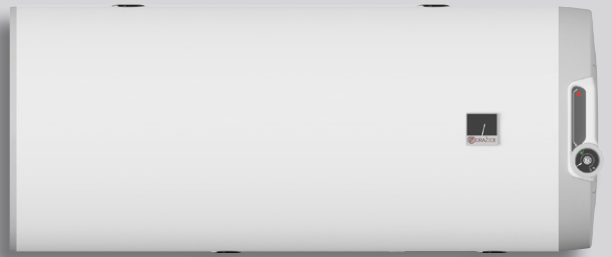
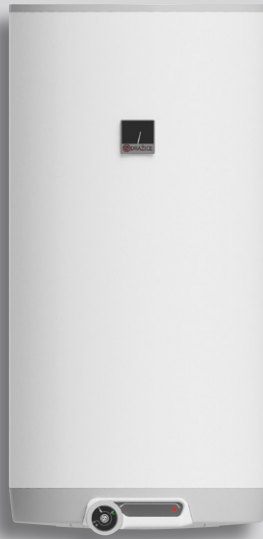
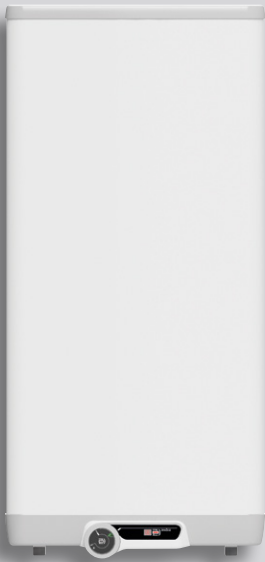
Photovoltaic solar power system



Hot water



Universal bracket





## **ELECTRIC WATER HEATERS**

WALL-MOUNTED VERTICAL

WALL-MOUNTED HORIZONTAL

LOW-PRESSURE FLOW HEATERS

PRESSURE FLOW HEATERS

LOW-CAPACITY PRESSURE  
AND LOW-PRESSURE STORAGE TANKS

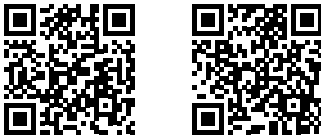


- New flat heater in models 30–120
- Suitable for installation in restricted areas, it can be built in the kitchen line; **Horizontal installation possible by models 30 and bigger**
- Quick water heating due to the concept of two vessels
- It combines the traditional DZD technology and modern design
- Possible alternatives to the replacement of the gas heater
- New electronic thermostat



OKHE ONE/E 30–120

#### Video tutorials:



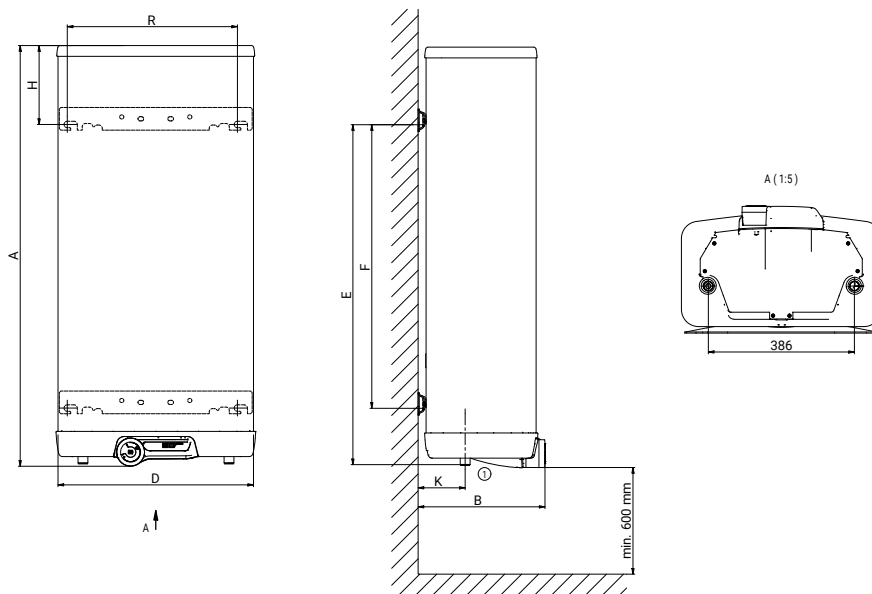
with a universal hinge, width of the groove  
on M6 screw

on M8 screw

Type of storage tank		OKHE ONE/E 30	OKHE ONE/E 50	OKHE ONE/E 80	OKHE ONE/E 100	OKHE ONE/E 120
Order number		1811108101	1805108101	1801108101	1808108101	1803108101
Capacity	[l]	28	41	65	80	98
Max. weight of the empty water heater	[kg]	22	31	46	55	62
Insulation thickness	[mm]	min. 33				
Thermal conductivity of the insulation	[W·m <sup>-1</sup> ·K <sup>-1</sup> ]	0,022				
Power consumption of the el. heating unit	[W]	1100	2000			
Heating time from 10 °C to 60 °C	[h]	1,5	1,5	2	2,5	3
Electrical connection		1/N/PE ~ 230V/50Hz				
Recommended circuit breaker size	[A]	10	16			
Degree of protection		IP44				
Max. operating temp. / overpressure in tank	[°C]/[bar]	80/6				
Energy efficiency class		C				
Annual consumption	[kWh·a <sup>-1</sup> ]	561	1353	1378	1405	1403
Mixed water V40	[l]	39,37	72,16	88,77	113,12	118,16

Dimensions [mm]	A	B	D	E	F	H	K	R
OKHE ONE/E 30	610	335	517	485	350	125	125	450
OKHE ONE/E 50	845	335	517	710	560	125	125	450
OKHE ONE/E 80	1115	335	517	900	750	205	125	450
OKHE ONE/E 100	1325	335	517	1120	950	205	125	450
OKHE ONE/E 120	1545	335	517	1345	1150	205	125	450

SOCKET NO. 1 3/4" outer





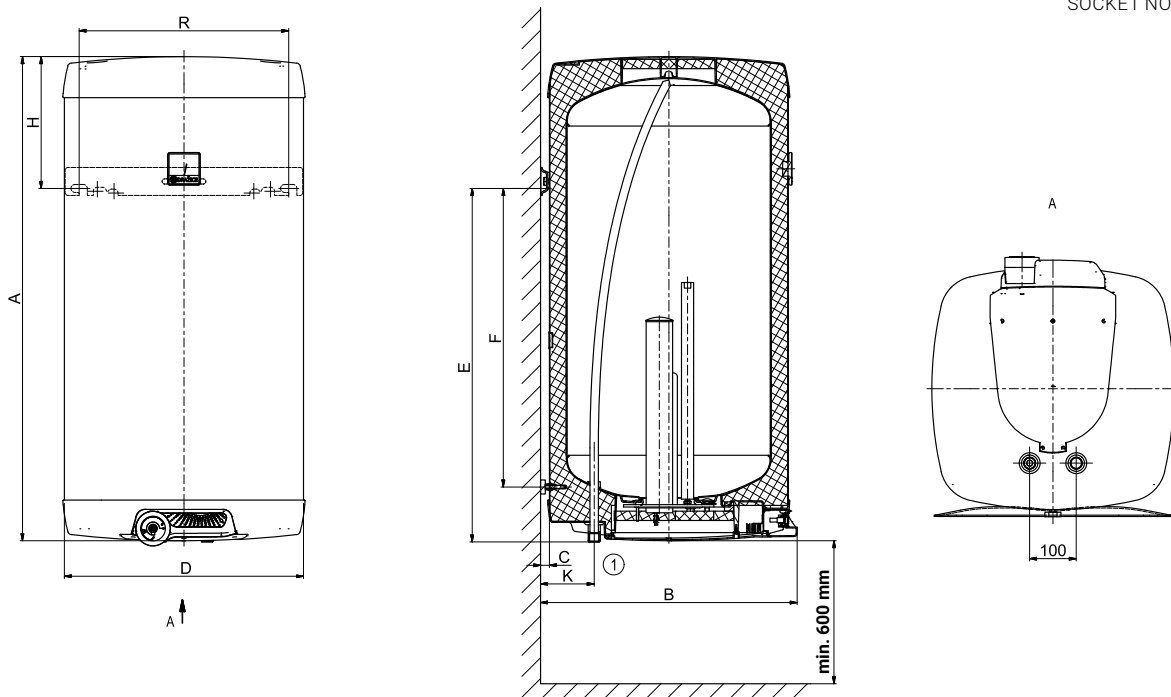
- Electric water heater combining the best available technologies
- Contains self-learning Smart Control Unit for optimisation of consumption, saving up to 15% on expense
- Can be controlled using DZD smartphone app (Android/iOS)
- Smart HDO function (low tariff): the heater recognizes the low tariff in electrical network.
- Independent diagnostics of malfunctions, e.g. status of protective anodes
- Can be used as a classic heater
- Can be plugged into any socket without temporal or other control



Type of storage tank		OKHE 100 SMART	OKHE 125 SMART	OKHE 160 SMART
Order number		140811601	140311601	140611601
Capacity	[l]	100	125	149
Max. weight of the empty water heater	[kg]	39	46	52
Insulation thickness	[mm]	až 80		
Thermal conductivity of the insulation	[W·m <sup>-1</sup> ·K <sup>-1</sup> ]	0,022		
Power consumption of the el. heating unit	[W]	2200		
Heating time from 10 °C to 60 °C	[h]	2,6	3,3	3,9
Electrical connection		1/N/PE ~ 230V/50Hz		
Recommended circuit breaker size	[A]	16		
Degree of protection		IP44		
Max. operating temp. / overpressure in tank	[°C]/[bar]	80/6		
Energy efficiency class		B		C
Annual consumption	[kWh·a <sup>-1</sup> ]	1217	1255	2487
Mixed water V40	[l]	165,41	231,10	242,83

Dimensions [mm]	A	B	C	D	E	F	H	K	R
OKHE 100 SMART	885	550	19	520	727	605	148	117	450
OKHE 125 SMART	1050	550	19	520	757	638	283	117	450
OKHE 160 SMART	1235	550	19	520	1000	880	225	117	450

SOCKET NO. 1 ¾" outer





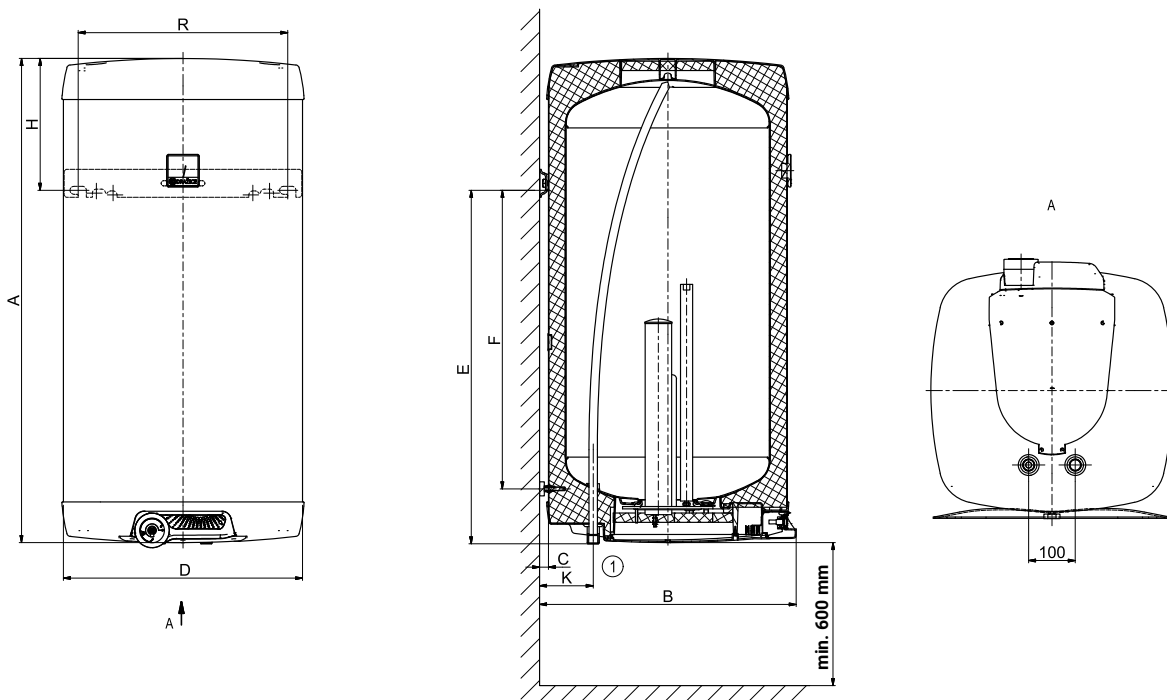
**OKHE****ELECTRIC WATER HEATERS****WALL-MOUNTED VERTICAL**

- Produced as wall-mounted and square-shaped – more interesting design
- With a 2.2 kW electrical heating unit
- Above-average thickness of insulation in corners

Type of storage tank		OKHE 80	OKHE 100	OKHE 125	OKHE 160
Order number model 2,2 kW		140110801	140810801	140310801	140610801
Capacity	[l]	75	100	121	153
Max. weight of the empty water heater	[kg]	34	38	45	51
Insulation thickness	[mm]	až 80			
Thermal conductivity of the insulation	[W·m <sup>-1</sup> ·K <sup>-1</sup> ]	0,022			
Power consumption of the el. heating unit	[W]	2200			
Heating time from 10 °C to 60 °C	[h]	2	2,6	3,2	4
Electrical connection		1/N/PE ~ 230V/50Hz			
Recommended circuit breaker size	[A]	16			
Degree of protection		IP44			
Max. operating temp. / overpressure in tank	[°C]/[bar]	80/6			
Energy efficiency class		C			
Annual consumption	[kWh·a <sup>-1</sup> ]	1391	1395	1353	2715
Mixed water V40	[l]	124,83	151,66	180,40	219,82

Dimensions [mm]	A	B	C	D	E	F	H	K	R
<b>OKHE 80</b>	740	550	19	520	582	464	148	117	450
<b>OKHE 100</b>	885	550	19	520	727	605	148	117	450
<b>OKHE 125</b>	1050	550	19	520	757	638	283	117	450
<b>OKHE 160</b>	1235	550	19	520	1000	880	225	117	450

SOCKET NO. 1 ¼" outer





- Comes in wall-mounted version
- With a 2.2 kW electrical heating unit
- Ceramic heating element 4 kW or extra connection for circulation on demand (**not available for OKCE 50**)
- 1 wall-mounted console for models 50–160;  
2 wall-mounted consoles for model 200
- New electronic thermostat for OKCE/E type
- Typ OKCE/E is without a temperature indicator



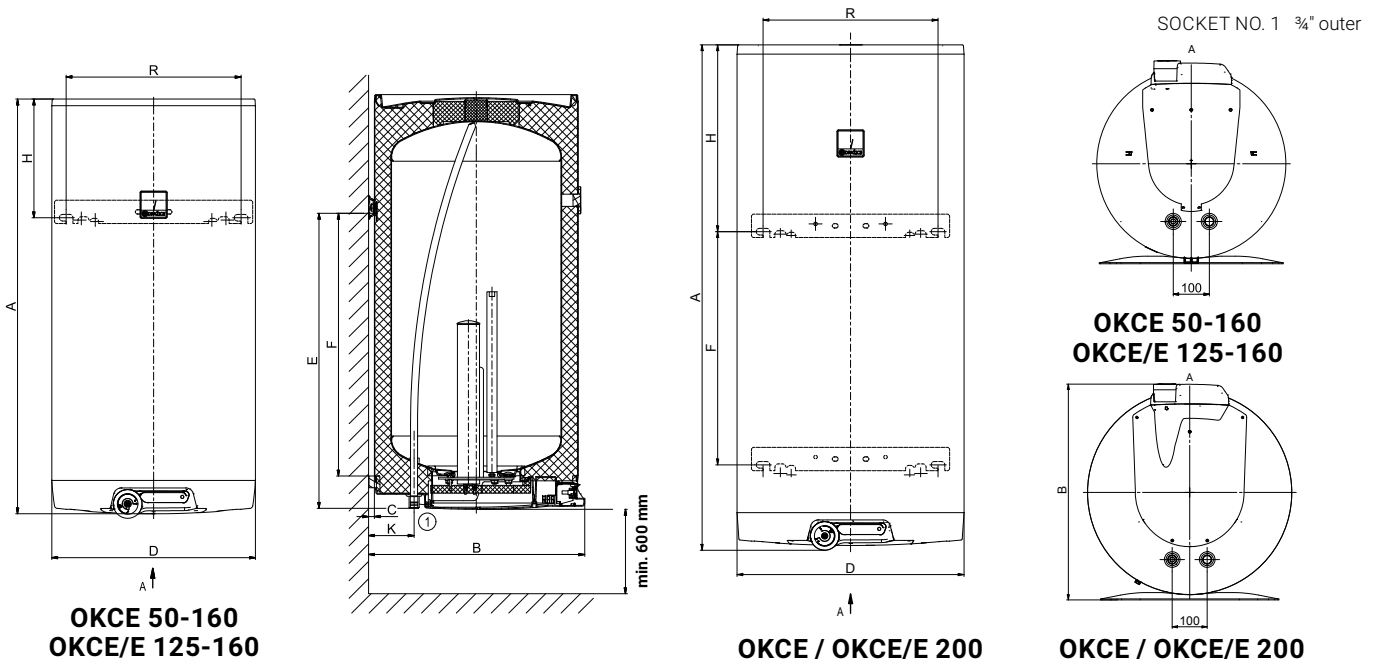
OKCE 50-160 / OKCE/E 125-160



OKCE / OKCE/E 200

Type of storage tank		OKCE 50	OKCE 80	OKCE 100	OKCE 125	OKCE 160	OKCE 200
Order number model 2,2 kW		1105108101	1101108101	1108108101	1103108101	1106108101	1107108101
Order number model 4 kW			1101108103	1108108103	1103108103	1106108103	1107108103
Order number model 2,2 kW with circulation			1101108104	1108108104	1103108104	1106108104	1107108104
Order number model 4 kW with circulation					1103108110	1106108110	1107108110
Type of storage tank					OKCE/E 125	OKCE/E 160	OKCE/E 200
Order number model 2,2 kW					1103108117	1106108117	1107108117
Capacity	[l]	49	75	97	122	149	199
Max. weight of the empty water heater	[kg]	28	32	39	43	49	66
Insulation thickness	[mm]	42					
Thermal conductivity of the insulation	[W·m <sup>-1</sup> ·K <sup>-1</sup> ]	0,022					
Power consumption of the el. heating unit	[W]	2200					
Heating time from 10 °C to 60 °C	[h]	1,3	2	2,6	3,2	3,9	5,3
Electrical connection		1/N/PE ~ 230V/50Hz					
Recommended circuit breaker size	[A]	16					
Degree of protection		IP44					
Max. operating temp. / overpressure in tank	[°C]/[bar]	80/6					
Energy efficiency class		C					
Annual consumption	[kWh·a <sup>-1</sup> ]	1365	1342	1362	1409	2622	4403
Mixed water V40	[l]	80,84	138,70	165,41	231,10	242,83	331,26

Dimensions [mm]	A	B	C	D	E	F	H	K	R
<b>OKCE 50</b>	585	562	14	524	440	369	135	116	450
<b>OKCE 80</b>	757	562	14	524	605	508	142	116	450
<b>OKCE 100</b>	902	562	14	524	725	654	167	116	450
<b>OKCE / OKCE/E 125</b>	1067	555	14	524	760	682	297	116	450
<b>OKCE / OKCE/E 160</b>	1255	555	14	524	1000	925	245	116	450
<b>OKCE / OKCE/E 200</b>	1300	617	14	584	806	600	480	116	450



# OKCE 2/6 kW

## ELECTRIC WATER HEATERS

## WALL-MOUNTED VERTICAL



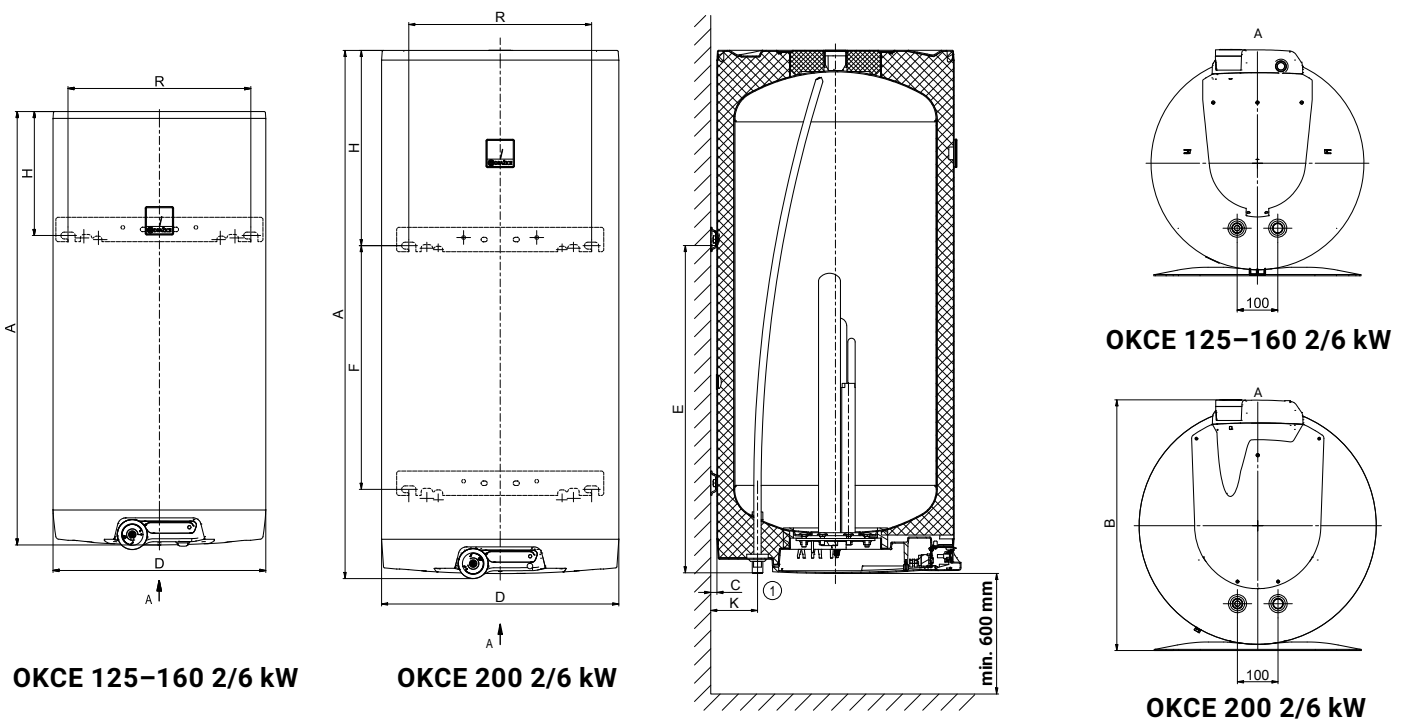
- Comes in wall-mounted version
- With 2/6 kW heating modes
- 2/6 kW models are equipped with a rapid water heater
- Rapid heating can be activated remotely by an external switch by the 2/6 models



Type of storage tank		OKCE 125 2/6 kW	OKCE 160 2/6 kW	OKCE 200 2/6 kW
Order number		1103108105	1106108105	1107108105
Capacity	[l]	122	149	199
Max. weight of the empty water heater	[kg]	45	52	70
Insulation thickness	[mm]		42	
Thermal conductivity of the insulation	[W·m <sup>-1</sup> ·K <sup>-1</sup> ]		0,022	
Power consumption of the el. heating unit	[W]		2000+4000	
Heating time from 10 °C to 60 °C	[h]	3,6/1,1	4,4/1,4	5,8/1,8
Electrical connection		3/N/PE ~ 400V/50Hz		
Recommended circuit breaker size	[A]		3 x 16	
Degree of protection			IP44	
Max. operating temp. / overpressure in tank	[°C]/[bar]		80/6	
Energy efficiency class			C	
Annual consumption	[kWh·a <sup>-1</sup> ]	1409	2622	4403
Mixed water V40 (for 2 kW)	[l]	231,10	242,83	331,26

Dimensions [mm]	A	B	C	D	E	F	H	K	R
OKCE 125 2/6 kW	1067	555	14	524	760	682	297	116	450
OKCE 160 2/6 kW	1255	555	14	524	1000	925	245	116	450
OKCE 200 2/6 kW	1300	617	14	584	806	600	480	116	450

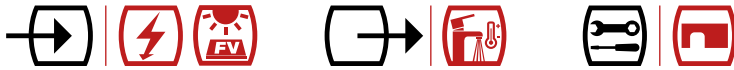
SOCKET NO. 1 ¾" outer



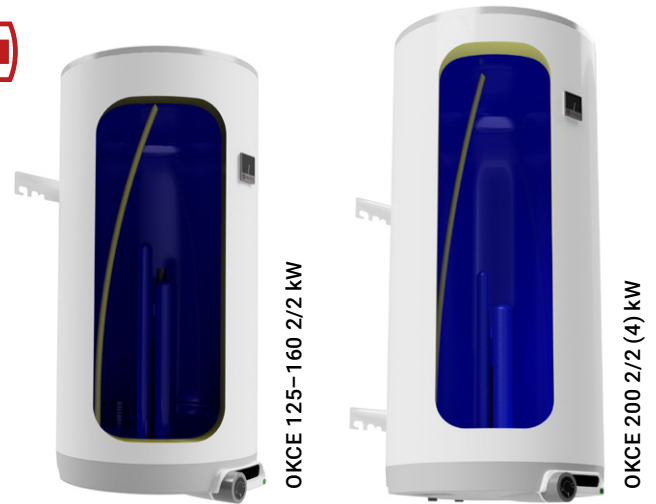
# OKCE 2/4 kW, 2/2 kW

## ELECTRIC WATER HEATERS

## WALL-MOUNTED VERTICAL



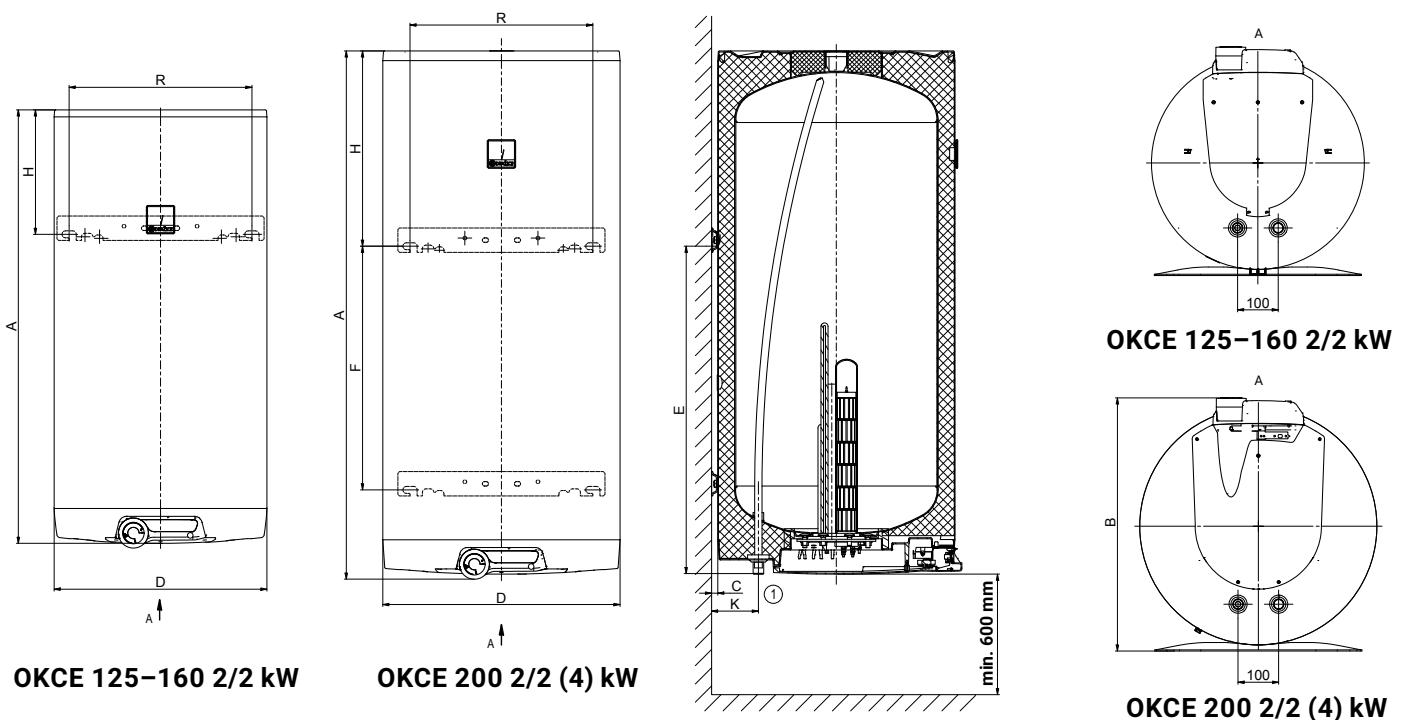
- Comes in wall-mounted version
- They have 2 independent heating circuits
- With 2/4 kW or 2/2 kW heating modes
- Can use surplus electricity from solar panels
- Can be used for tariff heating from 2 energy suppliers



Type of storage tank		OKCE 125 2/2 kW	OKCE 160 2/2 kW	OKCE 200 2/2 kW	OKCE 200 2/4 kW
Order number		1103108115	1106108115	1107108115	1107108102
Capacity	[l]	122	149	199	200
Max. weight of the empty water heater	[kg]	45	52	70	70
Insulation thickness	[mm]	42			
Thermal conductivity of the insulation	[W·m <sup>-1</sup> ·K <sup>-1</sup> ]	0,022			
Power consumption of the el. heating unit	[W]	2000/2200			2000/4000
Heating time from 10 °C to 60 °C	[h]	3,6/3,2	4,4/3,9	5,8/5,3	5,8/2,9
Electrical connection		2x 1/N/PE ~ 230V/50Hz			1/N/PE ~ 230V/50Hz 3/N/PE ~ 3x 230 V / 50 Hz
Recommended circuit breaker size	[A]	16, 16			1 x 16; 3 x 16
Degree of protection		IP44			
Max. operating temp. / overpressure in tank	[°C]/[bar]	80/6			
Energy efficiency class		C			
Annual consumption	[kWh·a <sup>-1</sup> ]	1409	2622	4403	4403
Mixed water V40 (for 2 kW)	[l]	231,10	242,83	331,26	331,26

Dimensions [mm]	A	B	C	D	E	F	H	K	R
OKCE 125 2/2 kW	1067	555	14	524	760	682	297	116	450
OKCE 160 2/2 kW	1255	555	14	524	1000	925	245	116	450
OKCE 200 2/2 kW	1300	617	14	584	806	600	480	116	450
OKCE 200 2/4 kW	1300	617	14	584	806	600	480	116	450

SOCKET NO. 1 3/4" outer

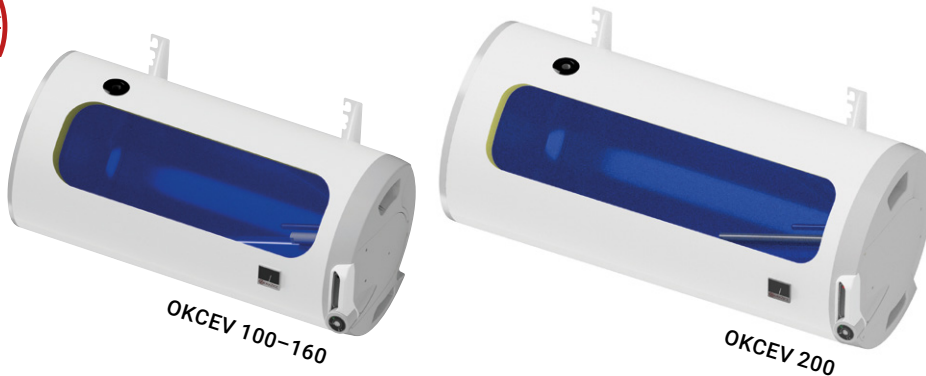


OKCE 125-160 2/2 kW

OKCE 200 2/2 (4) kW

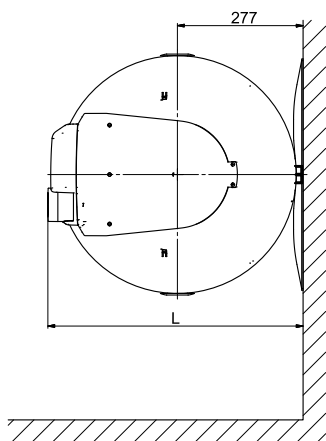


- Produced solely in right-hand design
- With a 2.2 kW electrical heating unit
- Ceramic heating element 4 kW or extra connection for circulation on demand
- Includes flexible wall hinge

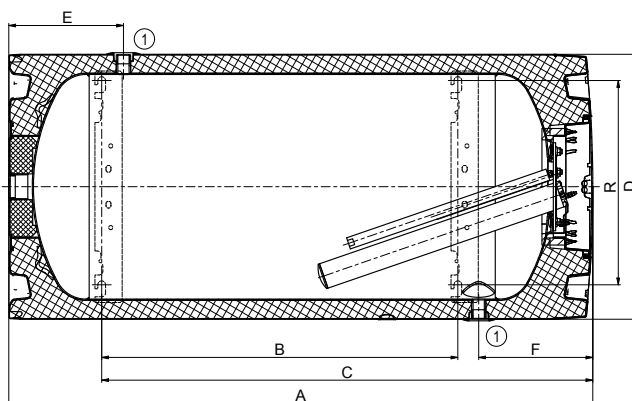
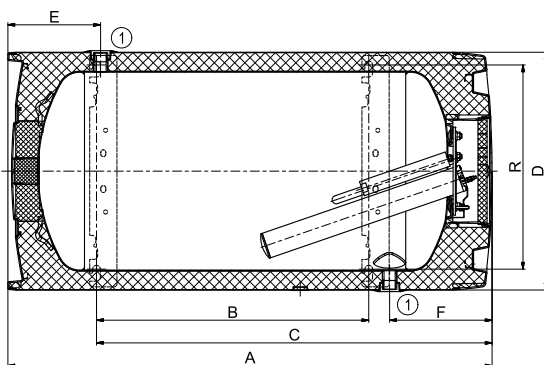


Type of storage tank		OKCEV 100	OKCEV 125	OKCEV 160	OKCEV 200
Order number model 2,2 kW		1108308211	1103308211	1106308211	1107308211
Order number model 4 kW					1107308203
Order number model 2,2 kW with circulation					1107308204
Order number model 4 kW with circulation					1107308210
Capacity	[l]	98	123	148	201
Max. weight of the empty water heater	[kg]	42	48	54	71
Insulation thickness	[mm]	42			
Thermal conductivity of the insulation	[W·m <sup>-1</sup> ·K <sup>-1</sup> ]	0,022			
Power consumption of the el. heating unit	[W]	2200			
Heating time from 10 °C to 60 °C	[h]	2,6	3,3	3,9	5,3
Electrical connection		1/N/PE ~ 230V/50Hz			
Recommended circuit breaker size	[A]	16			
Degree of protection		IP42			
Max. operating temp. / overpressure in tank	[°C]/[bar]	80/6			
Energy efficiency class		C			
Annual consumption	[kWh·a <sup>-1</sup> ]	1402	2614	2691	4324
Mixed water V40	[l]	164,98	195,75	244,59	301,93

Dimensions [mm]	A	B	C	D	E	F	L	R
<b>OKCEV 100</b>	902	435	707	524	204	226	563	450
<b>OKCEV 125</b>	1067	600	872	524	204	226	563	450
<b>OKCEV 160</b>	1255	785	1057	524	254	226	563	450
<b>OKCEV 200</b>	1290	785	1077	584	258	246	617	450

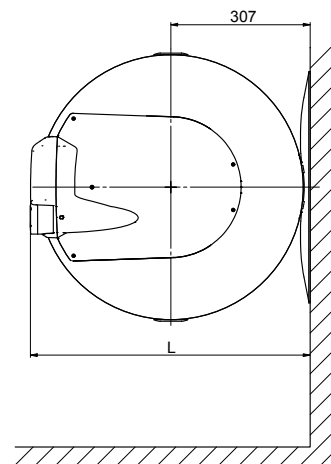


**OKCEV 100-160**



SOCKET NO. 1 3/4" inner

**OKCEV 200**





# PTO

## ELECTRIC WATER HEATERS

## SMALL-PRESSURE FLOW HEATERS



- With electrical heating units rated at 3,5 kW, 5 kW, 6,5 kW and 8 kW
- Use of a low-pressure water faucet is required
- Only for one consumption point



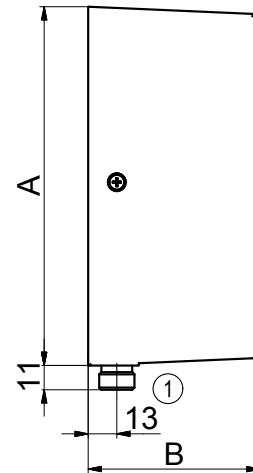
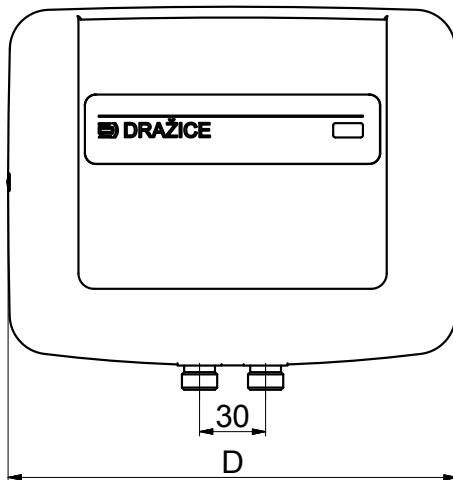
**BE.1845.A1**  
Order number: 100670002



Type of storage tank		PTO 3,5	PTO 5	PTO 6,5	PTO 8
Order number		105213210	105213211	105213212	105213213
Weight	[kg]	1,6			
Power consumption of the el. heating unit	[W]	3500	5000	6500	8000
Heating	[h]	by means of through-flow			
Electrical connection		1/N/PE ~ 230 V/50 Hz		3/N/PE ~ 400 V/50 Hz	
Recommended circuit breaker size	[A]	20	25	3 x 16	
Degree of protection		IP25			
Energy efficiency class		A			
Annual consumption	[kWh·a <sup>-1</sup> ]	478	475	465	464

Dimensions [mm]	A	B	D
PTO 3,5	161	80	204
PTO 5	161	80	204
PTO 6,5	175	80	204
PTO 8	175	80	204

SOCKET NO. 1 3/8" outer



**MX****ELECTRIC WATER HEATERS****PRESSURE FLOW HEATERS**

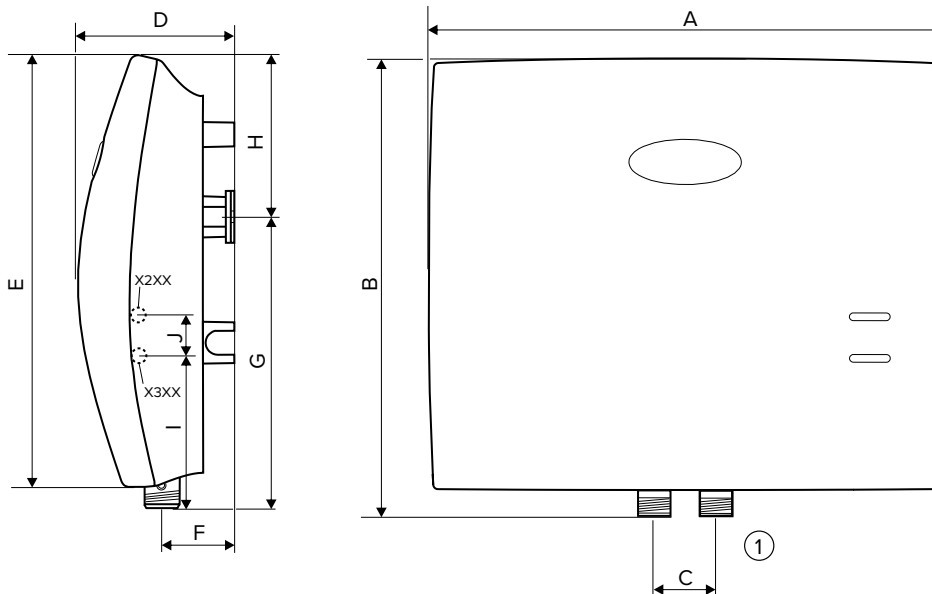
- Simple manual switching of water heating performance
- High comfort of water heating and significant electricity saving
- Possible connection to more consumption locations
- Assembly in the shower corner is not possible
- Power design: 4,5/7 kW; 5,5/9 kW; 5,5/11 kW



Type of storage tank		MX2207 - 4,5/7 kW	MX2209 - 5,5/9 kW	MX2211 - 5,5/11 kW
Order number		105213310	105213311	105213312
Weight	[kg]		1,7	
Power consumption of the el. heating unit	[W]	4500 + 2500	5500 + 3500	2 x 5500
Heating	[h]		by means of through-flow	
Electrical connection			2/N/PE ~ 2 x 230 V / 50 Hz	
Recommended circuit breaker size	[A]	3 x 20	3 x 25	3 x 25
Degree of protection			IP24	
Energy efficiency class			A	
Annual consumption	[kWh·a <sup>-1</sup> ]	446	460	453

Dimensions [mm]	A	B	C	D	E	F	G	H	I	J
MX2207 - 4,5/7 kW	246	218	30	75	208	40	140	78+25	74	20
MX2209 - 5,5/9 kW	246	218	30	75	208	40	140	78+25	74	20
MX2211 - 5,5/11 kW	246	218	30	75	208	40	140	78+25	74	20

SOCKET NO. 1 3/8" outer





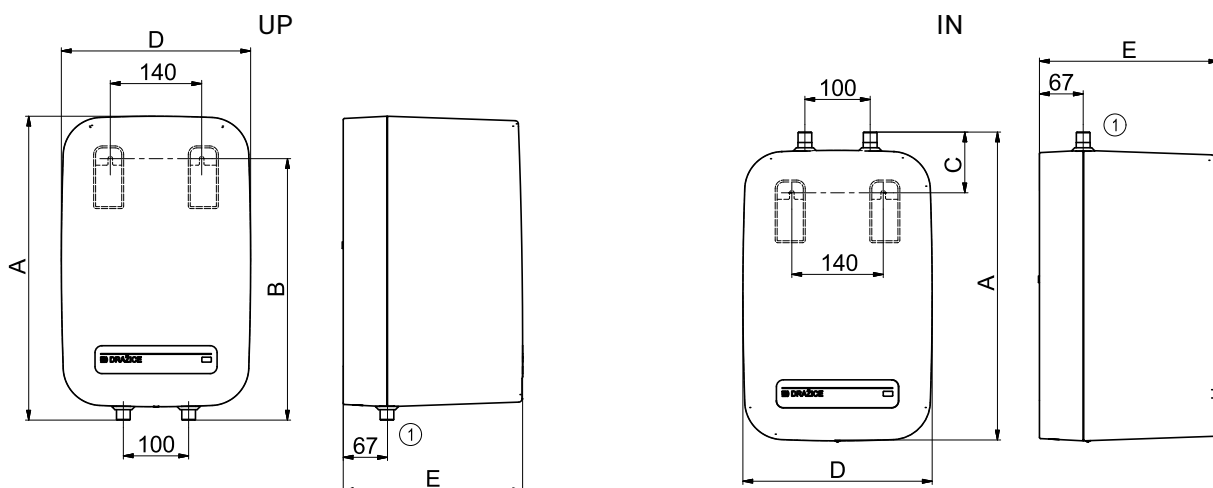
- Enamelled pressure vessel
- Electrical heating unit with power consumption of 1,5 kW
- Can be placed under (IN) or above (UP) the draw-off point
- For one or more consumption points



Type of storage tank		TO 5.1 UP	TO 5.1 IN	TO 10.1 UP	TO 10.1 IN
Order number		182310801	182310802	182410801	182410802
Capacity	[l]	4,6		9,6	
Weight	[kg]	6		8	
Insulation thickness	[mm]	20			
Thermal conductivity of the insulation	[W·m <sup>-1</sup> ·K <sup>-1</sup> ]	0,022			
Power consumption of the el. heating unit	[W]	1500			
Heating time from 10 °C to 60 °C	[min]	13		25	
Electrical connection		1/N/PE ~ 230 V/50 Hz			
Recommended circuit breaker size	[A]	16			
Degree of protection		IPX5			
Max. operating temp. / overpressure in tank	[°C]/[bar]	80/6			
Energy efficiency class		A			
Annual consumption	[kWh·a <sup>-1</sup> ]	497	509	525	525

Dimensions [mm]	A	B	C	D	E
TO 5.1 UP	330	265	-	290	275
TO 5.1 IN	338	-	93	290	275
TO 10.1 UP	465	400	-	290	275
TO 10.1 IN	473	-	93	290	275

SOCKET NO. 1 ½" outer



# TO 15

## ELECTRIC WATER HEATERS

### SMALL-CAPACITY PRESSURE TYPE



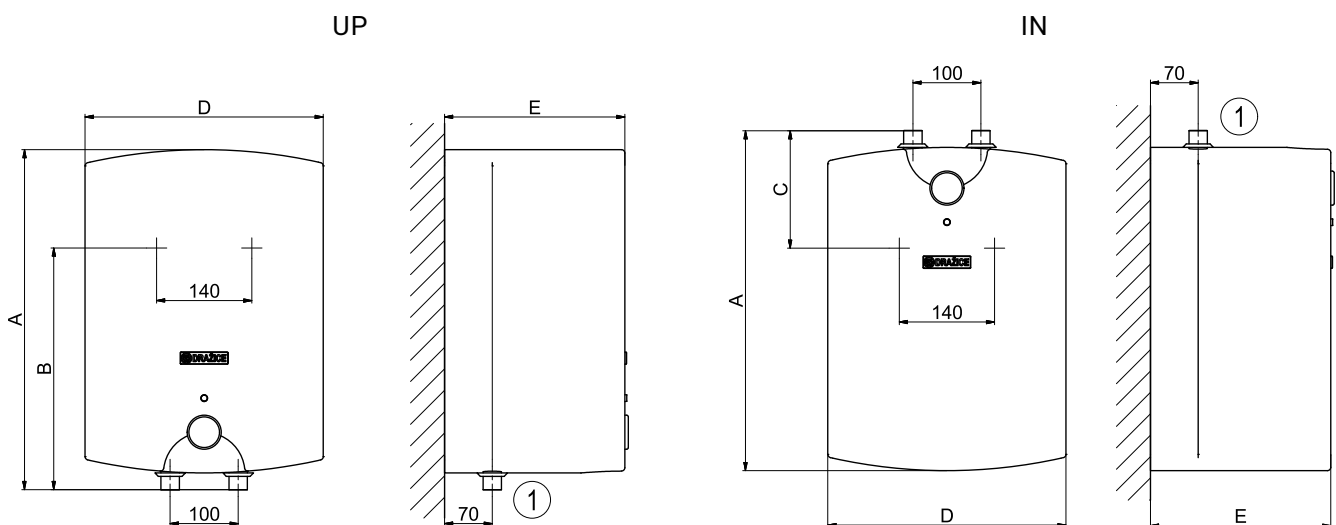
- Enamelled pressure vessel
- Electrical heating unit with power consumption of 2 kW
- Can be placed under (IN) or above (UP) the consumption point
- For one or more consumption points



Type of storage tank		TO 15 UP	TO 15 IN
Order number		105313208	105313209
Capacity	[l]	14,8	14,9
Weight	[kg]		11
Insulation thickness	[mm]		30
Thermal conductivity of the insulation	[W·m <sup>-1</sup> ·K <sup>-1</sup> ]		0,025
Power consumption of the el. heating unit	[W]		2000
Heating time from 10 °C to 60 °C	[min]		29
Electrical connection		1/N/PE ~ 230 V/50 Hz	
Recommended circuit breaker size	[A]	16	
Degree of protection		IP24	
Max. operating temp. / overpressure in tank	[°C]/[bar]	80/6	
Energy efficiency class		A	
Annual consumption	[kWh·a <sup>-1</sup> ]	510	523

Dimensions [mm]	A	B	C	D	E
TO 15 UP	495	410	-	350	310
TO 15 IN	495	-	130	350	310

SOCKET NO. 1 ½" outer





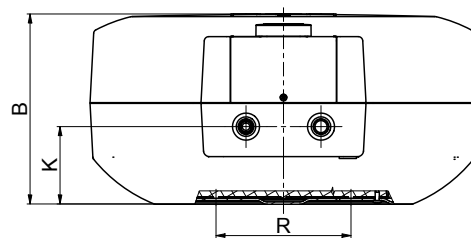
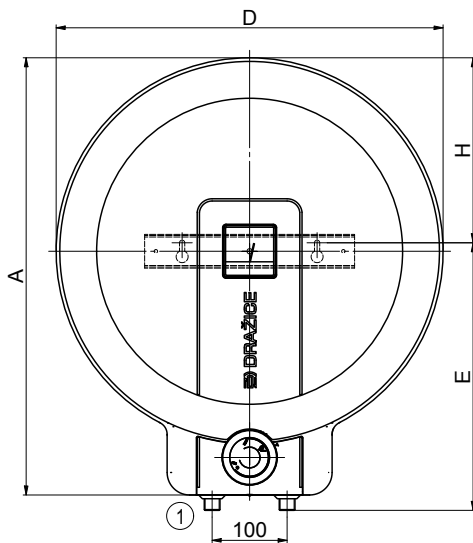
- Enamelled pressure vessel
- Electrical heating unit with power consumption of 2.2 kW
- The storage tank is of sufficient capacity for a shower or multiple washbasins



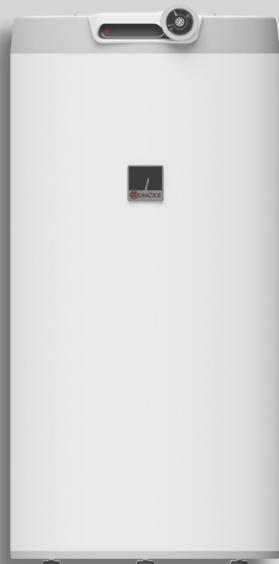
Type of storage tank		TO 20.1
Order number		1202105101
Capacity	[l]	20
Max. weight of the empty water heater	[kg]	12
Insulation thickness	[mm]	20
Thermal conductivity of the insulation	[W·m <sup>-1</sup> ·K <sup>-1</sup> ]	0,022
Power consumption of the el. heating unit	[W]	2200
Heating time from 10 °C to 60 °C	[min]	30
Electrical connection		1/N/PE ~ 230 V/50 Hz
Recommended circuit breaker size	[A]	16
Degree of protection		IP44
Max. operating temp. / overpressure in tank	[°C]/[bar]	80/6
Energy efficiency class		A
Annual consumption	[kWh·a <sup>-1</sup> ]	485
Mixed water V40	[l]	26,14

Dimensions [mm]	A	B	D	E	H	K	R
TO 20.1	585	254	516	357	247	103	180

SOCKET NO. 1 ½" outer









# **ELECTRIC WATER HEATERS AND STORAGE TANKS**

FLOOR-STANDING

FLOOR-STANDING

FOR INSTALATION ELECTRIC HEATING ELEMENT

# OKCE S/2,2 kW

## ELECTRIC WATER HEATERS AND STORAGE TANKS

### FLOOR-STANDING



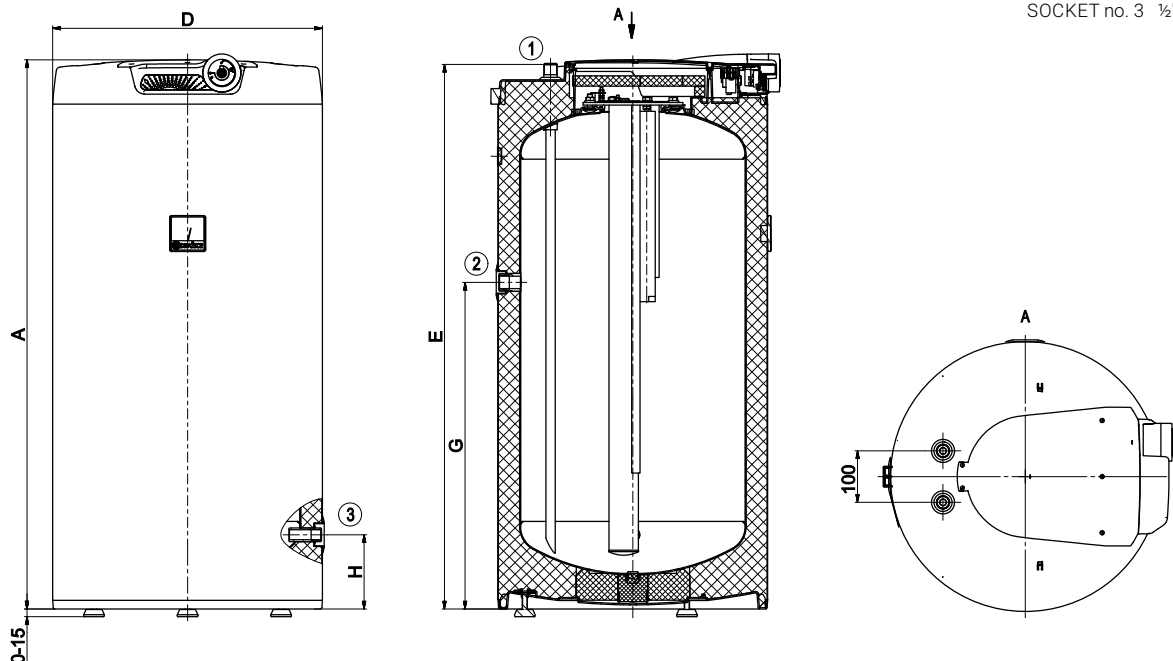
- All storage tanks have inlet/outlet for circulation connection
- Discharge outlet enclosed
- Equipped with electrical heating unit



Type of storage tank		OKCE 100 S/2,2 kW	OKCE 125 S/2,2 kW
Order number		1108111101	1103111101
Capacity	[l]	98	128
Max. weight of the empty water heater	[kg]	39	45
Insulation thickness	[mm]		42
Thermal conductivity of the insulation	[W·m <sup>-1</sup> ·K <sup>-1</sup> ]		0,022
Power consumption of the el. heating unit	[W]		2200
Heating time from 10 °C to 60 °C	[h]	2,6	3,4
Electrical connection		1/N/PE ~ 230V/50Hz	
Recommended circuit breaker size	[A]	16	
Degree of protection		IP42	
Max. operating temp. / overpressure in tank	[°C]/[bar]	80/6	
Energy efficiency class		C	
Annual consumption	[kWh·a <sup>-1</sup> ]	1349	2637
Mixed water V40	[l]	133,17	156,44

Dimensions [mm]	A	D	E	G	H
OKCE 100 S/2,2 kW	902	524	892	535	145
OKCE 125 S/2,2 kW	1067	524	1057	635	145

SOCKET no. 1 ¾" outer  
 SOCKET no. 2 ¾" inner  
 SOCKET no. 3 ½" inner





- All storage tanks have inlet/outlet for circulation connection
- Installation of TPK 210-12 flanged heating unit required
- Storage tanks with capacities of 200-500 l have an inlet/outlet for TJ 6/4" heating unit
- RDU, REU heating units can be attached using a reduction flange

OKCE 160 S



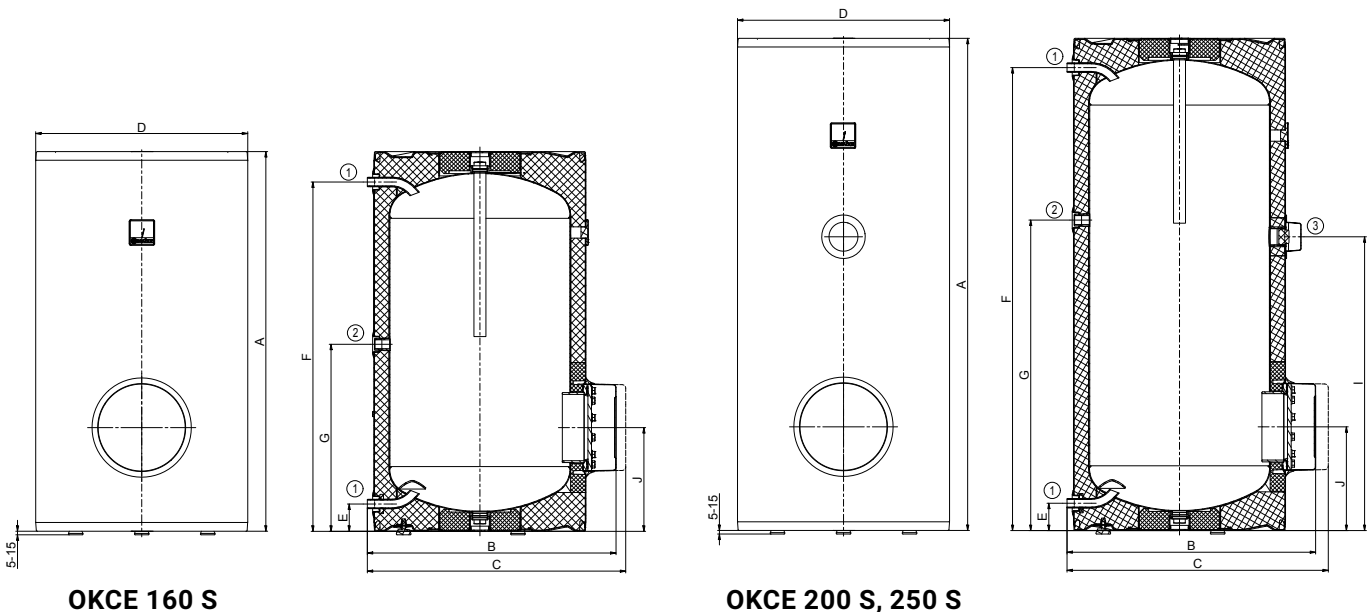
OKCE 200 S, 250 S, 300 S



Type of storage tank		OKCE 160 S	OKCE 200 S	OKCE 250 S	OKCE 300 S
Order number		1106115101	1107115101	1109115101	1210115101
Capacity	[l]	157	210	250	300
Max. weight of the empty water heater	[kg]	52	72	76	80
Insulation thickness	[mm]		42		60
Thermal conductivity of the insulation	[W·m <sup>-1</sup> ·K <sup>-1</sup> ]		0,022		0,021
Power consumption of the el. heating unit	[W]		according to the type of accessories		
Heating time from 10 °C to 60 °C	[h]		according to the type of accessories		
Electrical connection			according to the type of accessories		
Recommended circuit breaker size	[A]		according to the type of accessories		
Degree of protection			according to the type of accessories		
Max. operating temp. / overpressure in tank	[°C]/[bar]		80/6		80/10
Energy efficiency class			C		
Annual consumption	[kWh·a <sup>-1</sup> ]	2612	4301	4215	4361
Mixed water V40	[l]	235,47	362,16	418,23	419,08

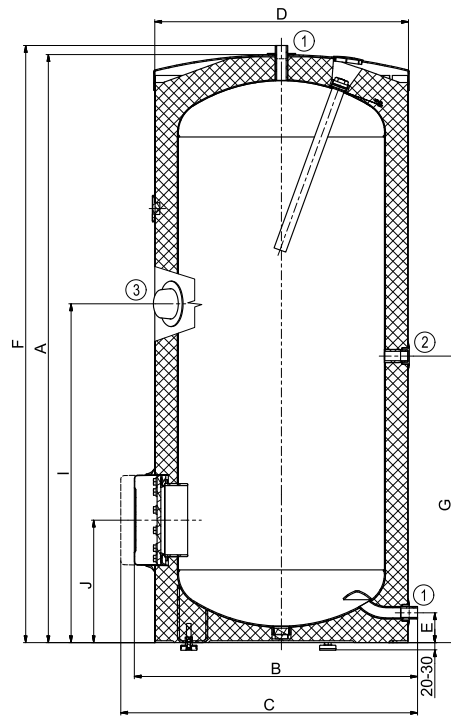
Dimensions [mm]	A	B	C	D	E	F	G	I	J
OKCE 160 S	1045	660	710	584	75	962	515	-	285
OKCE 200 S	1355	660	710	584	75	1275	855	810	285
OKCE 250 S	1535	660	710	584	75	1455	1055	810	285

SOCKET no. 1 ¼" outer  
 SOCKET no. 2 ¼" inner  
 SOCKET no. 3 ¼" inner



**OKCE S****ELECTRIC WATER HEATERS  
AND STORAGE TANKS****FLOOR-STANDING  
FOR CONNECTING THE HEAT PUMP**

Dimensions [mm]	A	B	C	D	E	F	G	I	J
<b>OKCE 300 S</b>	1558	750	810	670	77	1579	760	895	325



SOCKET no. 1 1" outer  
SOCKET no. 2 3/4" inner  
SOCKET no. 3 1/4" inner

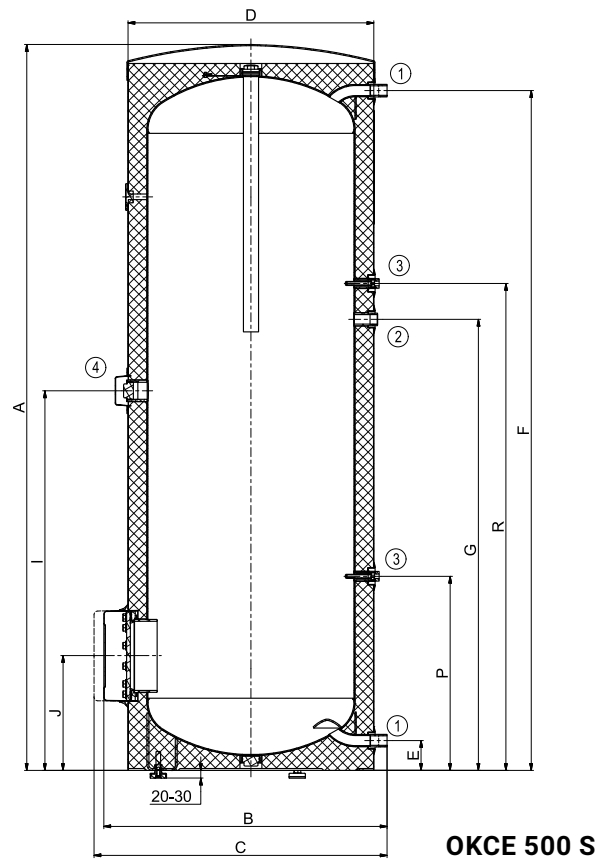
**OKCE 300 S**



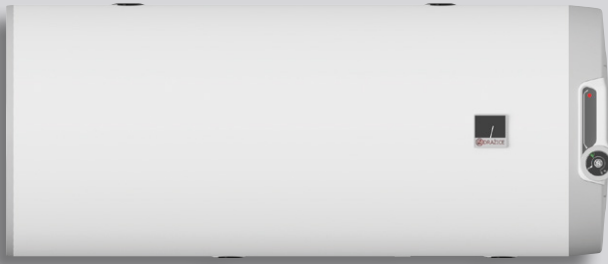
Type of storage tank		OKCE 500 S
Order number		121311110
Capacity	[l]	462
Max. weight of the empty water heater	[kg]	106
Insulation thickness	[mm]	50
Thermal conductivity of the insulation	[W·m <sup>-1</sup> ·K <sup>-1</sup> ]	0,021
Power consumption of the el. heating unit	[W]	according to the type of accessories
Heating time from 10 °C to 60 °C	[h]	according to the type of accessories
Electrical connection		according to the type of accessories
Recommended circuit breaker size	[A]	according to the type of accessories
Degree of protection		according to the type of accessories
Max. operating temp. / overpressure in tank	[°C]/[bar]	80/10
Energy efficiency class		C
Static loss	[W]	110

Dimensions [mm]	A	B	C	D	E	F	G	I	J	P	R
OKCE 500 S	1924	800	860	700	55	1790	1264	1040	287	380	1409

SOCKET no. 1 1" outer  
 SOCKET no. 2 ¾" inner  
 SOCKET no. 3 ½" inner  
 SOCKET no. 4 ¾" inner







## **COMBINED WATER HEATERS**

WALL-MOUNTED VERTICAL

WALL-MOUNTED HORIZONTAL



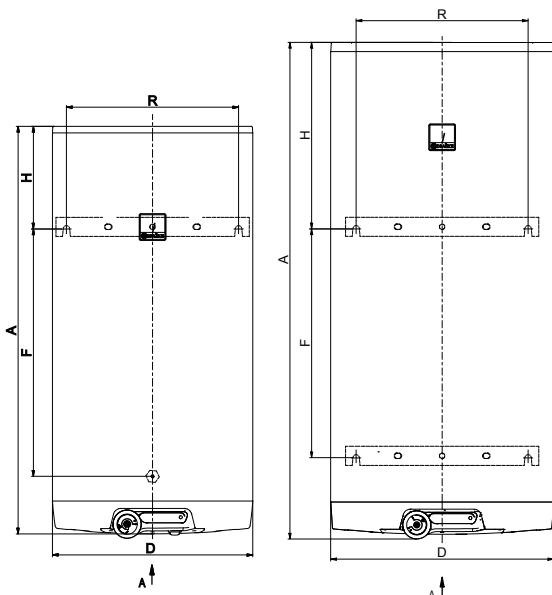
- Comes in wall-mounted version
- With a 2.2 kW electrical heating unit
- Ceramic heating element 4 kW or extra connection for circulation on demand
- 1 wall-mounted console and support for models 80–125; 2 wall-mounted consoles for models 160–200



Type of storage tank		OKC 80	OKC 125	OKC 160	OKC 200
Order number model 2,2 kW		1101208101	1103208101	1106208101	1107208101
Order number model 4 kW			1103208103	1106208103	1107208103
Order number model 2,2 kW with circulation				1106208104	1107208104
Order number model 4 kW with circulation				1106208110	1107208110
Capacity	[l]	73	117	145	194
Max. weight of the empty water heater	[kg]	40	55	62	79
Insulation thickness	[mm]	42			
Thermal conductivity of the insulation	[W·m <sup>-1</sup> ·K <sup>-1</sup> ]	0,022			
Power consumption of the el. heating unit	[W]	2200			
Heating time from 10 °C to 60 °C *	[h]	1,9	3,1	3,8	5,1
Electrical connection		1/N/PE ~ 230V/50Hz			
Recommended circuit breaker size	[A]	16			
Degree of protection		IP44			
Max. operating temp. / overpressure in tank	[°C]/[bar]	80/6			
Heat transfer surface of the exchanger *	[m <sup>2</sup> ]	0,41		0,68	
Capacity of the exchanger *	[l]	1,8		2,9	
Max. operating temperature / overpressure in exchanger	[°C]/[bar]	110/10			
Power of the exchanger at the 310 l at 80 °C *	[kW]	6		9	
Heating time by the exchanger from 10 °C to 60 °C *	[min]	50	55	67	86
Energy efficiency class		C			
Annual consumption	[kWh·a <sup>-1</sup> ]	1342	1409	2622	4403
Mixed water V40	[l]	138,70	231,10	242,83	331,26

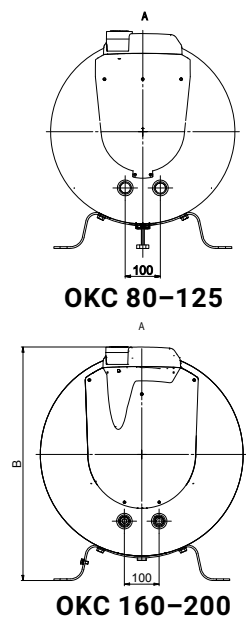
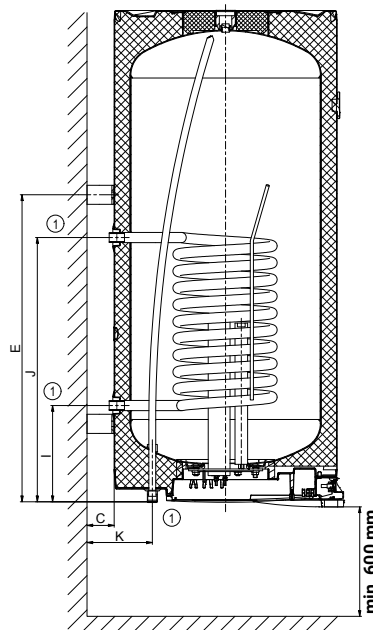
Dimensions [mm]	A	B	C	D	E	F	H	I	J	K	R
<b>OKC 80</b>	757	612	70	524	605	460	142	211	501	172	450
<b>OKC 125</b>	1067	612	70	524	755	610	302	211	651	172	450
<b>OKC 160</b>	1255	612	70	524	995	720	250	211	651	172	450
<b>OKC 200</b>	1300	672	70	584	804	600	490	252	692	172	450

SOCKET no. 1 ¼" outer



**OKC 80-125**

**OKC 160-200**



**OKC 80-125**

**OKC 160-200**

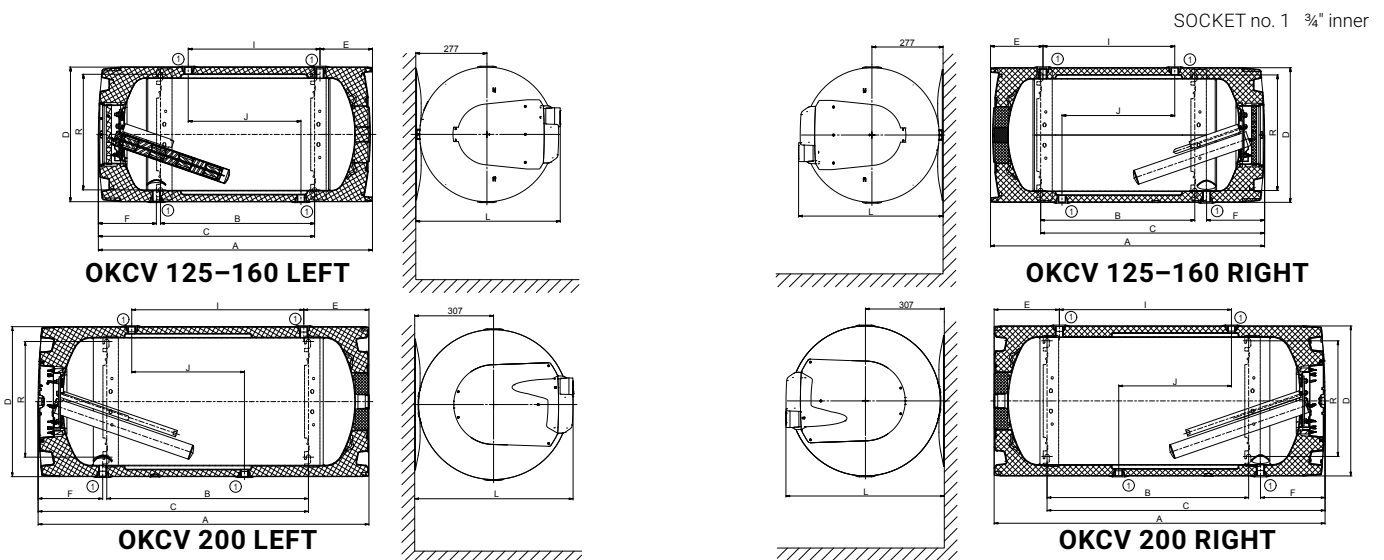


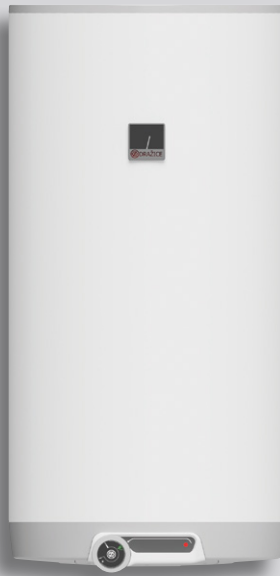
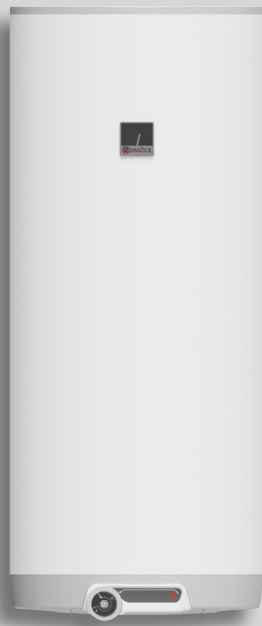
- With a 2.2 kW electrical heating unit
- Ceramic heating element 4 kW or extra connection for circulation on demand
- Suitable for solid fuel boilers
- Now with right-side and left-side versions
- Includes flexible wall hinge



Type of storage tank		OKCV 125	OKCV 160	OKCV 200
Order number model 2,2 kW		1103408211 (right) 1103408212 (left)	1106408211 (right) 1106408212 (left)	1107408211 (right) 1107408212 (left)
Order number model 4 kW				1107408203 (right) 1107408202 (left)
Order number model 2,2 kW with circulation				1107408204 (right) 1107408205 (left)
Order number model 4 kW with circulation				1107408210 (right) 1107408213 (left)
Capacity	[l]	123	148	201
Max. weight of the empty water heater	[kg]	63	69	85
Insulation thickness	[mm]		42	
Thermal conductivity of the insulation	[W·m <sup>-1</sup> ·K <sup>-1</sup> ]		0,022	
Power consumption of the el. heating unit	[W]		2200	
Heating time from 10 °C to 60 °C *	[h]	3,3	3,9	5,3
Electrical connection		1/N/PE ~ 230V/50Hz		
Recommended circuit breaker size	[A]	16		
Degree of protection		IP42		
Max. operating temp. / overpressure in tank	[°C]/[bar]	80/6		
Heat transfer surface of the exchanger *	[m <sup>2</sup> ]		0,7	0,75
Capacity of the exchanger *	[l]		11	12
Max. operating temperature / overpressure in exchanger	[°C]/[bar]		110/4	
Power of the exchanger at the 310 l at 80 °C *	[kW]		10	11
Heating time by the exchanger from 10 °C to 60 °C *	[min]	43	53	72
Energy efficiency class		C		
Annual consumption	[kWh·a <sup>-1</sup> ]	2614	2691	4324
Mixed water V40	[l]	195,75	244,59	301,93

Dimensions [mm]	A	B	C	D	E	F	I	J	L	R
<b>OKCV 125</b>	1067	600	872	524	204	226	513	439	563	450
<b>OKCV 160</b>	1255	785	1057	524	254	226	649	439	563	450
<b>OKCV 200</b>	1290	785	1077	584	258	246	670	439	617	450







## **HOT WATER STORAGE TANKS**

WALL-MOUNTED VERTICAL

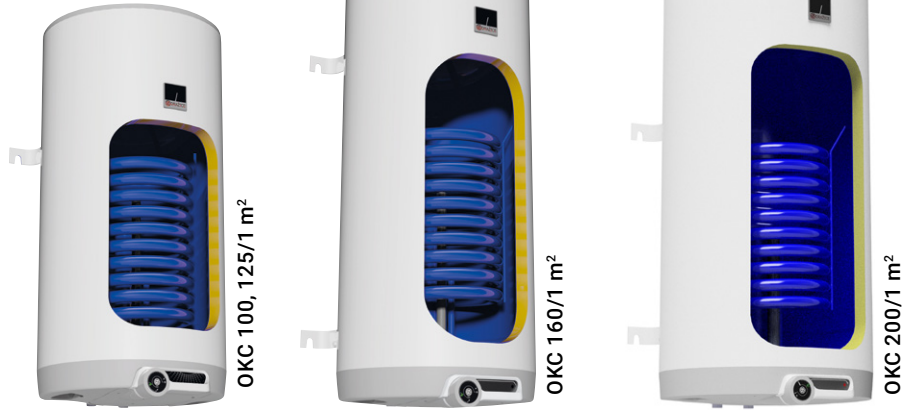
FLOOR-STANDING

FLOOR-STANDING INDIRECT HEATING





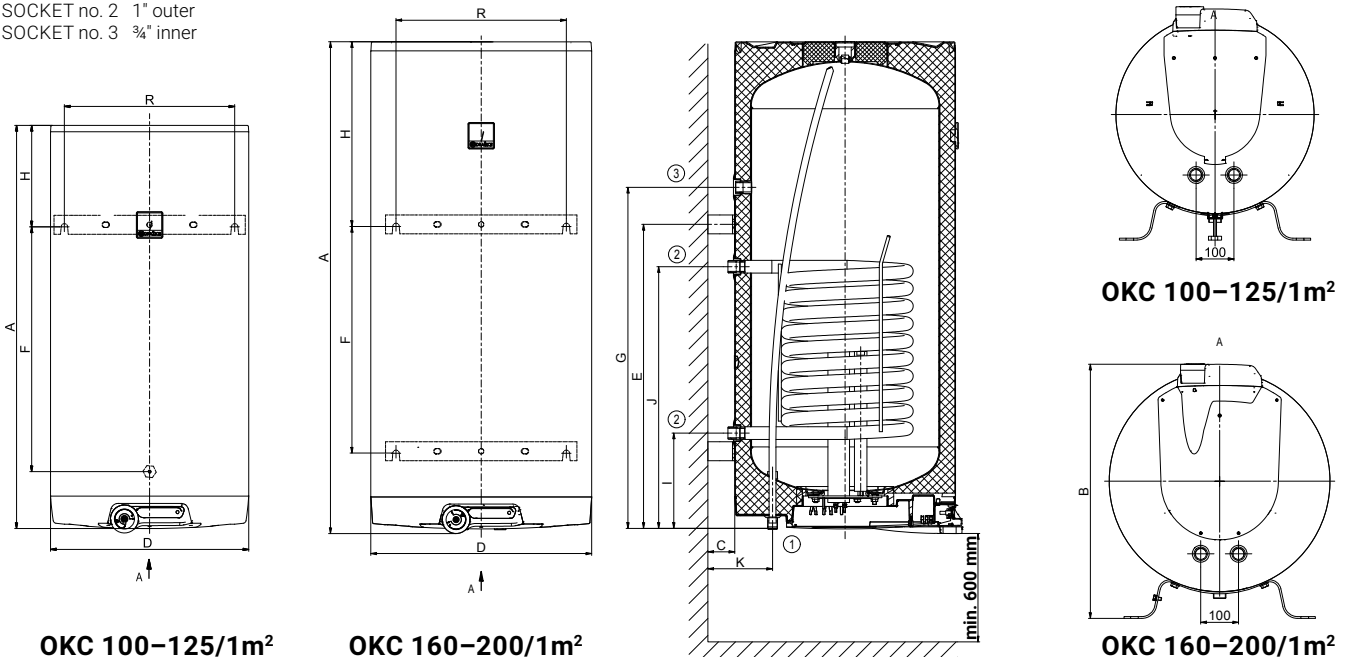
- Comes in wall-mounted version
- With a 2.2 kW electrical heating unit
- Ceramic heating element 4 kW on demand
- In version with 1 m<sup>2</sup> exchanger the storage tank is suitable for boilers using various fuels and for condensing boilers
- 1 wall-mounted console and support for models 100–125; 2 wall-mounted consoles for models 160–200
- Equipped with inlet/outlet for circulation



Type of storage tank		OKC 100/1 m <sup>2</sup>	OKC 125/1 m <sup>2</sup>	OKC 160/1 m <sup>2</sup>	OKC 200/1 m <sup>2</sup>
Order number model 2,2 kW		1108209101	1103209101	1106209101	1107209101
Order number model 4 kW		1108209103	1103209103	1106209103	1107209103
Capacity	[l]	95	120	147	195
Max. weight of the empty water heater	[kg]	57	64	71	85
Insulation thickness	[mm]			42	
Thermal conductivity of the insulation	[W·m <sup>-1</sup> ·K <sup>-1</sup> ]			0,022	
Power consumption of the el. heating unit	[W]		2200		
Heating time from 10 °C to 60 °C *	[h]	2,5	3,2	3,9	5,2
Electrical connection				1/N/PE ~ 230V/50Hz	
Recommended circuit breaker size	[A]			16	
Degree of protection				IP44	
Max. operating temp. / overpressure in tank	[°C]/[bar]			80/6	
Heat transfer surface of the exchanger *	[m <sup>2</sup> ]		1,08		
Capacity of the exchanger *	[l]		7,1		
Max. operating temperature / overpressure in exchanger	[°C]/[bar]		110/10		
Power of the exchanger at the 720 l at 80 °C	[kW]		24		
Heating time by the exchanger from 10 °C to 60 °C *	[min]	14	17	21	28
Energy efficiency class		B		C	
Static loss	[W]	47	57	67	72

Dimensions [mm]	A	B	C	D	E	F	G	H	I	J	K	R
OKC 100/1 m <sup>2</sup>	902	612	70	524	622	478	550	270	263	703	172	450
OKC 125/1 m <sup>2</sup>	1067	612	70	524	789	645	550	268	263	703	172	450
OKC 160/1 m <sup>2</sup>	1255	612	70	524	991	815	830	254	263	703	172	450
OKC 200/1 m <sup>2</sup>	1300	672	70	584	804	600	902	490	252	692	172	450

SOCKET no. 1 ¼" outer  
 SOCKET no. 2 1" outer  
 SOCKET no. 3 ¾" inner





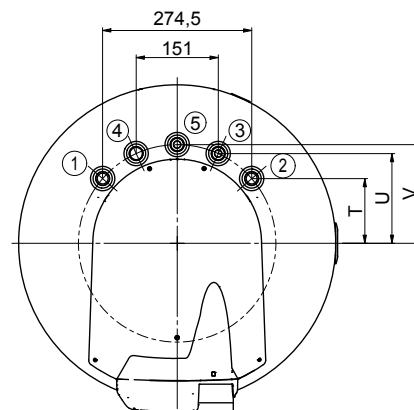
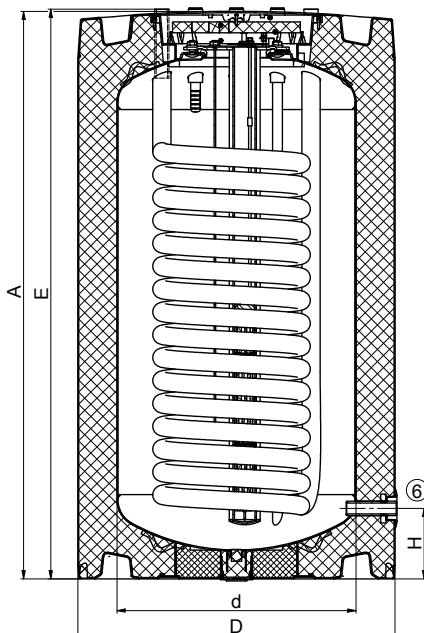
- Inlets and outlets of all media through the top lid
- Heaters suitable for installation under wall-mounted boilers
- With a single-phase 2.2 kW electrical heating unit
- Heaters have a fitted drain valved



Type of storage tank		OKCE 100.1 NTR/HV/ 2,2 kW	OKCE 125.1 NTR/HV/ 2,2 kW
Order number		1108707117	1103707117
Capacity	[l]	83	107
Max. weight of the empty water heater	[kg]	61	77
Insulation thickness	[mm]		72
Thermal conductivity of the insulation	[W·m <sup>-1</sup> ·K <sup>-1</sup> ]		0,022
Power consumption of the el. heating unit	[W]		2200
Heating time from 10 °C to 60 °C *	[h]	2,3	2,8
Electrical connection		1/N/PE ~ 230V/50Hz	
Recommended circuit breaker size	[A]	16	
Degree of protection		IP42	
Max. operating temp. / overpressure in tank	[°C]/[bar]	80/6	
Heat transfer surface of the exchanger *	[m <sup>2</sup> ]	1,08	1,45
Capacity of the exchanger*	[l]	7,1	9,5
Max. operating temperature / overpressure in exchanger	[°C]/[bar]	110/10	
Power of the exchanger at the 720 l at 80 °C	[kW]	24	32
Heating time by the exchanger from 10 °C to 60 °C *	[min]	13	12
Energy efficiency class		A	
Static loss	[W]	29	33

Dimensions [mm]	A	d	D	E	H	T	U	V
OKCE 100.1 NTR/HV/2,2kW	880	440	584	885	130	119	165	182
OKCE 125.1 NTR/HV/2,2kW	1045	440	584	1050	130	119	165	182

- SOCKET no. 1 ¼" outer
- SOCKET no. 2 ¼" outer
- SOCKET no. 3 ¼" outer
- SOCKET no. 4 ¼" outer
- SOCKET no. 5 ¼" outer
- SOCKET no. 6 ½" inner



# OKCE NTR/2,2 kW

## HOT WATER STORAGE TANKS

## FLOOR-STANDING



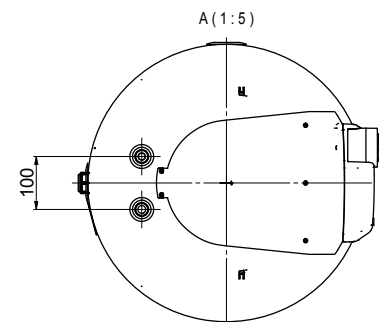
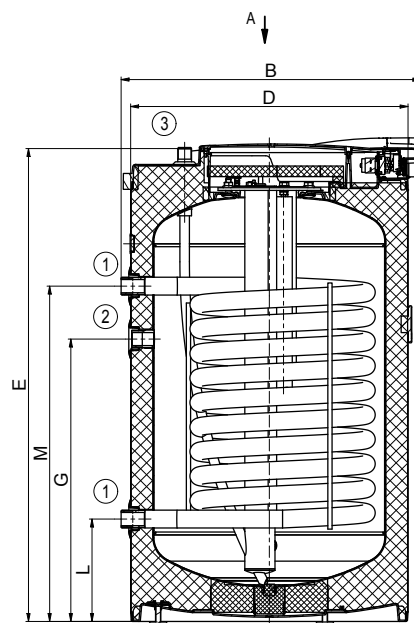
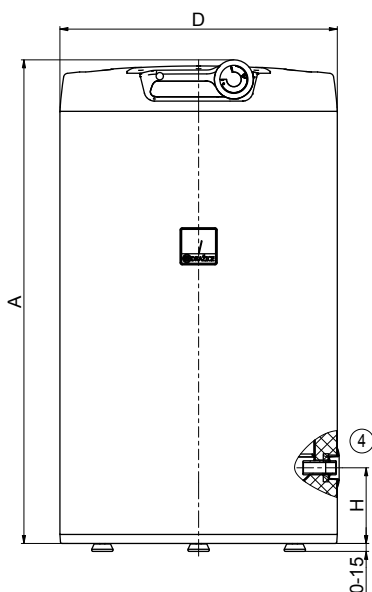
- Storage tanks have inlet/outlet for circulation connection
- With a single-phase 2.2 kW electrical heating unit
- Storage tanks have discharge outlet enclosed



Type of storage tank		OKCE 100 NTR/2,2 kW	OKCE 125 NTR/2,2 kW
Order number		1108701201	1103701201
Capacity	[l]	85	110
Max. weight of the empty water heater	[kg]	58	70
Insulation thickness	[mm]		42
Thermal conductivity of the insulation	[W·m <sup>-1</sup> ·K <sup>-1</sup> ]		0,022
Power consumption of the el. heating unit	[W]		2200
Heating time from 10 °C to 60 °C *	[h]	2,2	2,9
Electrical connection		1/N/PE ~ 230V/50Hz	
Recommended circuit breaker size	[A]	16	
Degree of protection		IP42	
Max. operating temp. / overpressure in tank	[°C]/[bar]	80/6	
Heat transfer surface of the exchanger *	[m <sup>2</sup> ]	1,08	1,45
Capacity of the exchanger*	[l]	7,1	9,5
Max. operating temperature / overpressure in exchanger	[°C]/[bar]	110/10	
Power of the exchanger at the 720 l at 80 °C	[kW]	24	32
Heating time by the exchanger from 10 °C to 60 °C *	[min]	13	12
Energy efficiency class		B	C
Static loss	[W]	42	54

Dimensions [mm]	A	B	D	E	G	H	L	M
OKCE 100 NTR/2,2 kW	915	565	524	895	535	145	195	635
OKCE 125 NTR/2,2 kW	1080	565	524	1060	635	145	195	765

SOCKET no. 1 1" outer  
 SOCKET no. 2 ¾" inner  
 SOCKET no. 3 ¾" outer  
 SOCKET no. 4 ½" inner





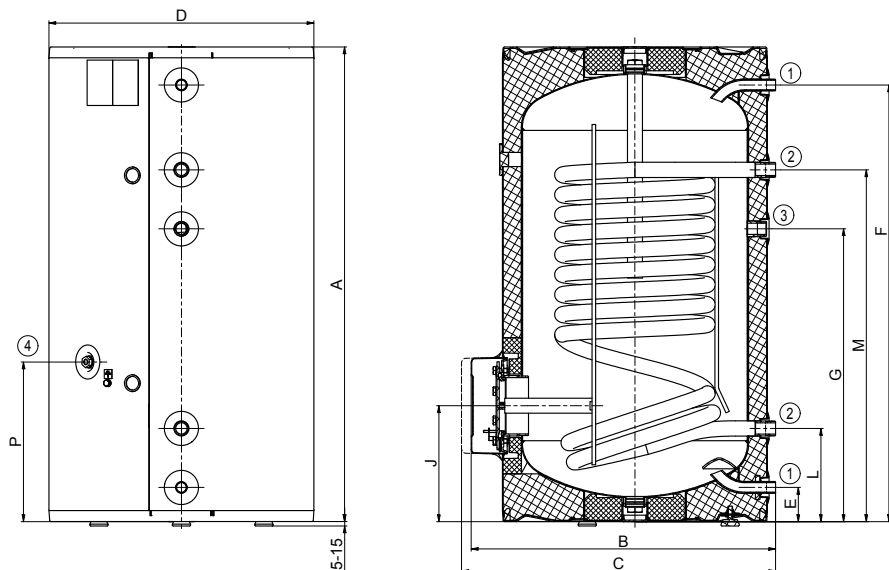
- Storage tank has a side flange used as an inspection hole
- TPK electrical heating unit can be installed in side flange
- TJ 6/4" electrical heating unit can be installed for models 200–500



Type of storage tank		OKC 160 NTR/BP	OKC 200 NTR(R)/BP	OKC 300 NTR(R)/BP
Order number		1106701101	1107701101 (1107901101)	121070101 (121090101)
Capacity	[l]	148	208 (200)	296 (285)
Max. weight of the empty water heater	[kg]	76	92 (103)	108 (126)
Insulation thickness	[mm]		42	60
Thermal conductivity of the insulation	[W·m <sup>-1</sup> ·K <sup>-1</sup> ]		0,022	0,021
Max. operating temp. / overpressure in tank	[°C]/[bar]		80/6	80/10
Heat transfer surface of the exchanger * (top/bottom)	[m <sup>2</sup> ]	-/1,19	-/1,19 (1/0,96)	-/1,5 (1/1,5)
Capacity of the exchanger * (top/bottom)	[l]	-/8	-/8(7/6,5)	-/10,5 (7/10,5)
Max. operating temperature / overpressure in exchanger	[°C]/[bar]		110/10	
Power of the exchanger at the 720 l at 80 °C	[kW]	-/27	-/27 (24/22)	-/35 (24/35)
Heating time by the exchanger from 10 °C to 60 °C *	[min]	-/19	-/27 (14/16)	-/30 (16/24)
Energy efficiency class			C	
Static loss	[W]	75	82	83

Dimensions [mm]	A	B	C	D	E	F	G	I	J	L	M	P
OKC 160 NTR/BP	1045	660	710	584	75	962	645	-	255	205	775	350

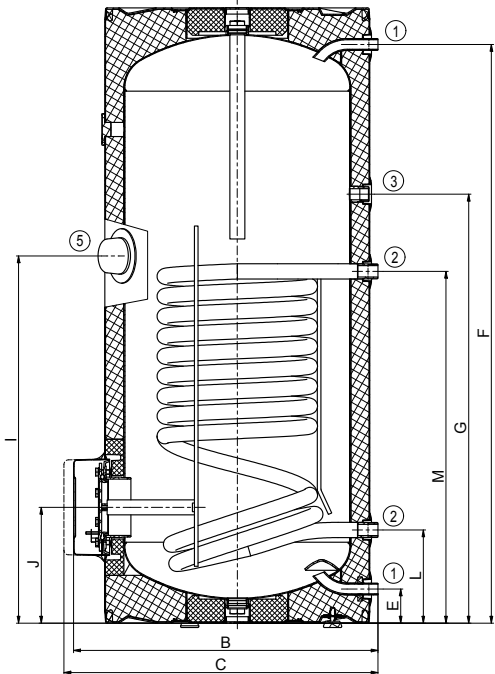
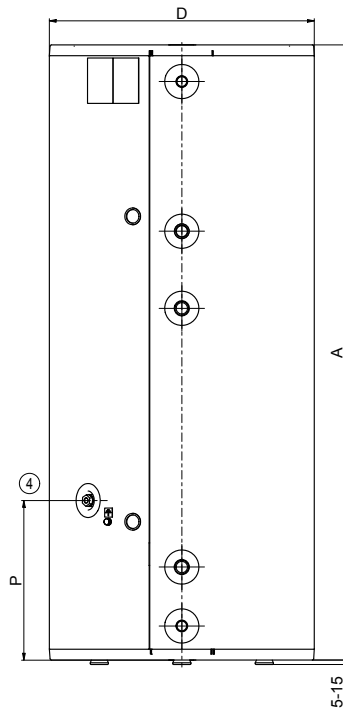
SOCKET no. 1 ¾" outer  
 SOCKET no. 2 1" outer  
 SOCKET no. 3 ¾" inner  
 SOCKET no. 4 ½" inner



OKC 160 NTR/BP

Dimensions [mm]	A	B	C	D	E	F	G	I	J	L	M	P
<b>OKC 200 NTR/BP</b>	1355	660	710	584	75	1275	945	810	255	205	775	350

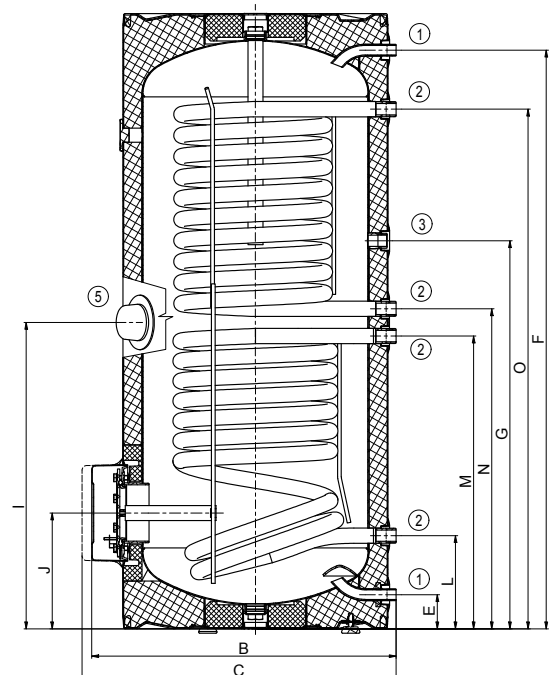
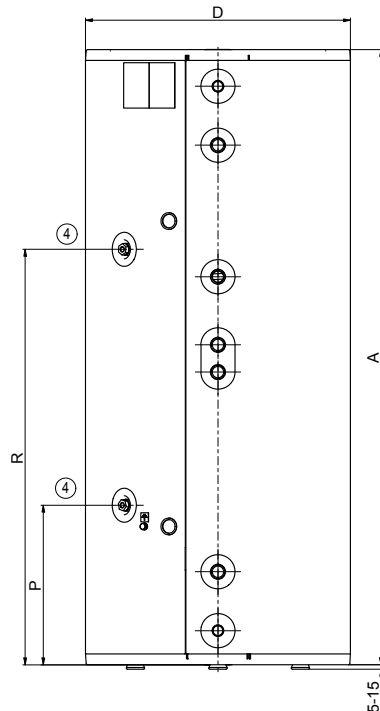
SOCKET no. 1 3/4" outer  
 SOCKET no. 2 1" outer  
 SOCKET no. 3 3/4" inner  
 SOCKET no. 4 1/2" inner  
 SOCKET no. 5 1/4" inner



**OKC 200 NTR/BP**

Dimensions [mm]	A	B	C	D	E	F	G	I	J	L	M	N	O	P	R
<b>OKC 200 NTRR/BP</b>	1355	660	710	584	75	1275	855	675	255	205	645	705	1145	350	915

SOCKET no. 1 3/4" outer  
 SOCKET no. 2 1" outer  
 SOCKET no. 3 3/4" inner  
 SOCKET no. 4 1/2" inner  
 SOCKET no. 5 3/4" inner

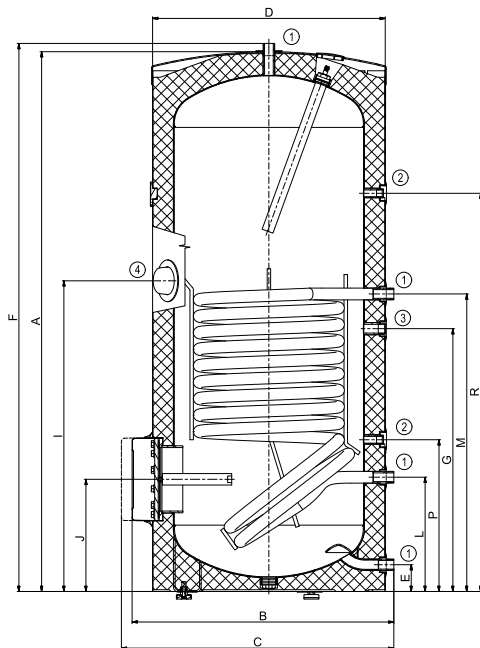


**OKC 200 NTRR/BP**

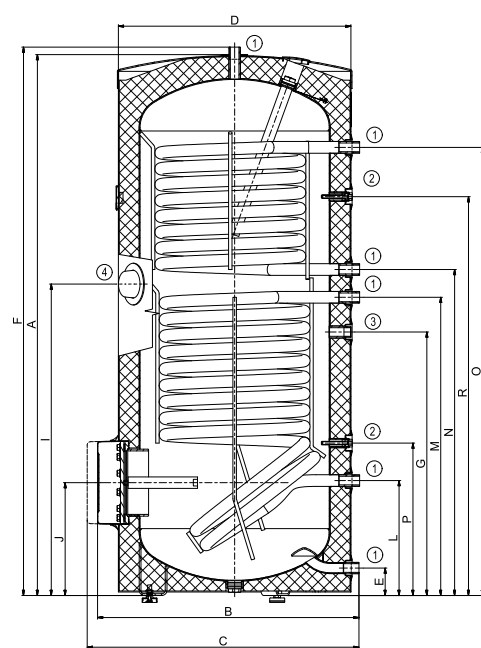


Dimensions [mm]	A	B	C	D	E	F	G	I	J	L	M	N	O	P	R
OKC 300 NTR/BP	1558	750	810	670	77	1579	760	895	325	330	858	-	-	438	1148
OKC 300 NTRR/BP	1558	750	810	670	77	1579	760	895	325	330	858	939	1291	438	1148

SOCKET no. 1 1" outer  
 SOCKET no. 2 1/2" inner  
 SOCKET no. 3 3/4" inner  
 SOCKET no. 4 1/4" inner



OKC 300 NTR/BP



OKC 300 NTRR/BP



# OKC NTR(R)/BP

## HOT WATER STORAGE TANKS

## FLOOR-STANDING INDIRECT HEATING



OKC 500 NTR/BP



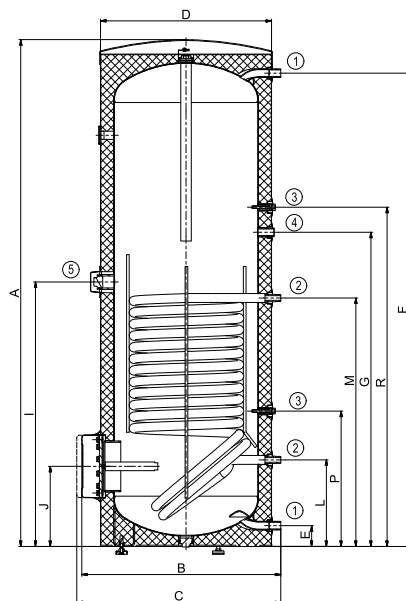
OKC 500 NTRR/BP

Type of storage tank	OKC 500 NTR(R)/BP	
Order number		121370101 (121390101)
Capacity	[l]	447 (433)
Max. weight of the empty water heater	[kg]	149 (158)
Insulation thickness	[mm]	50
Thermal conductivity of the insulation	[W·m <sup>-1</sup> ·K <sup>-1</sup> ]	0,021
Max. operating temp. / overpressure in tank	[°C]/[bar]	80/10
Heat transfer surface of the exchanger * (top/bottom)	[m <sup>2</sup> ]	-/2 (1,4/2)
Capacity of the exchanger * (top/bottom)	[l]	-/14 (9/14)
Max. operating temperature / overpressure in exchanger	[°C]/[bar]	110/10
Power of the exchanger at the 720 l at 80 °C	[kW]	-/58 (37/58)
Heating time by the exchanger from 10 °C to 60 °C *	[min]	-/26 (26/27)
Energy efficiency class		C
Static loss	[W]	110 (111)

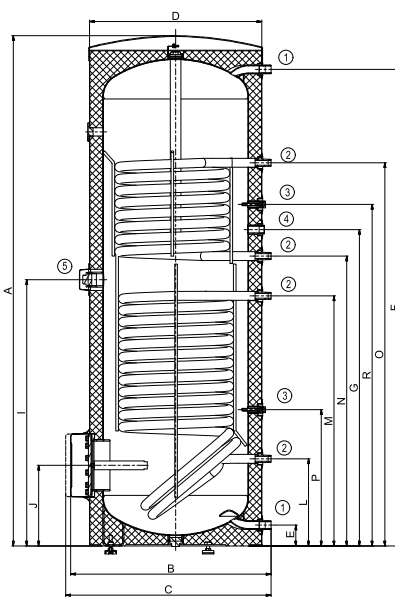
Dimensions [mm]	A	B	C	D	E	F	G	I	J	L	M	N	O	P	R
OKC 500 NTR/BP	1924	800	860	700	55	1790	1264	1040	288	220	965	-	-	380	1409
OKC 500 NTRR/BP	1924	800	860	700	55	1790	1264	1040	288	220	965	1114	1604	380	1409

SOCKET no. 1 1" outer  
 SOCKET no. 2 ¾" outer  
 SOCKET no. 3 ½" inner  
 SOCKET no. 4 ¾" inner  
 SOCKET no. 5 ¼" inner

SOCKET no. 1 1" outer  
 SOCKET no. 2 ¾" outer  
 SOCKET no. 3 ½" inner  
 SOCKET no. 4 ¾" inner  
 SOCKET no. 5 ¼" inner



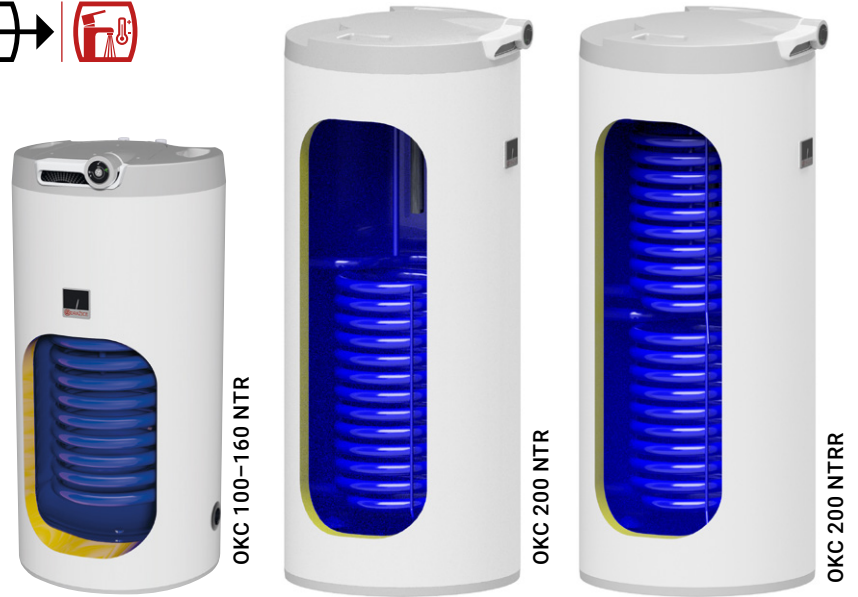
OKC 500 NTR/BP



OKC 500 NTRR/BP

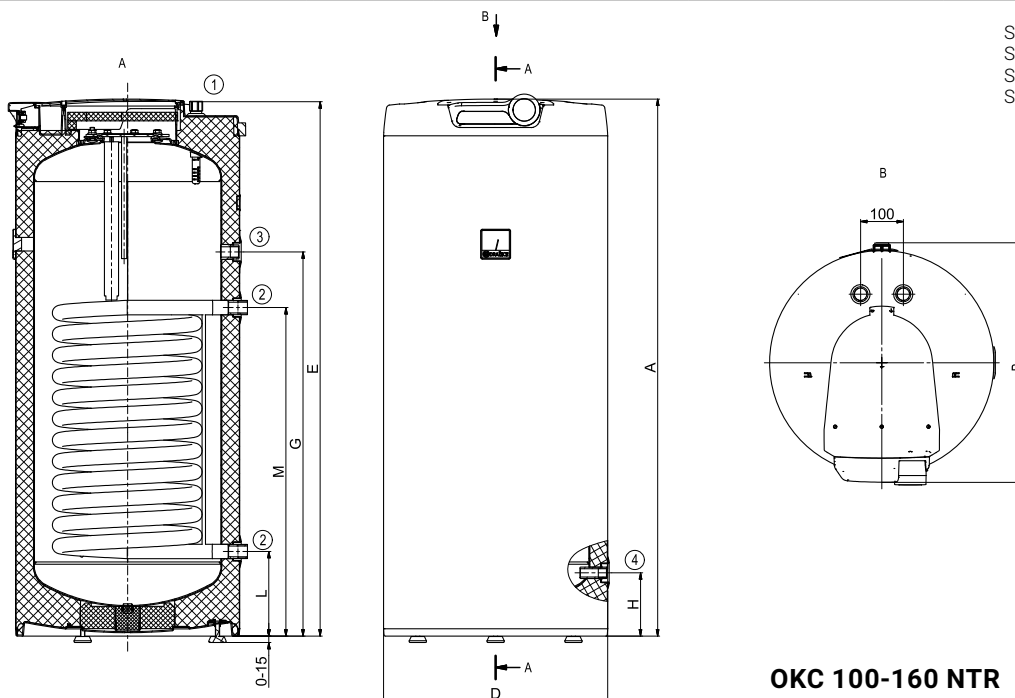


- Two exchangers possible for models from 200 and up
- Service water inlet and outlet through top lid for models 100–160
- Models 100–160 have discharge outlet enclosed



Type of storage tank		OKC 100 NTR	OKC 125 NTR	OKC 160 NTR	OKC 200 NTR(R)
Order number		1108708101	1103708101	1106708101	1107708101 (1107908101)
Capacity	[l]	87	113	148	208 (200)
Max. weight of the empty water heater	[kg]	53	66	73	88 (102)
Insulation thickness	[mm]	42			
Thermal conductivity of the insulation	[W·m <sup>-1</sup> ·K <sup>-1</sup> ]	0,022			
Electrical connection		1/N/PE ~ 230V/50Hz			
Degree of protection		IP42			
Max. operating temp. / overpressure in tank	[°C]/[bar]	80/6			
Heat transfer surface of the exchanger* (top/bottom)	[m <sup>2</sup> ]	1,08	1,45	1,45 (1/1)	
Capacity of the exchanger* (top/bottom)	[l]	7,1	9,5	9,5 (7/7)	
Max. operating temperature / overpressure in exchanger	[°C]/[bar]	110/10			
Power of the exchanger at the 720 l at 80 °C	[kW]	24	32	32 (24/24)	
Heating time by the exchanger from 10 °C to 60 °C *	[min]	13	12	16	23 (13/25)
Energy efficiency class		B		C	
Static loss	[W]	42	54	75	82

Dimensions [mm]	A	B	D	E	G	H	L	M
OKC 100 NTR	902	565	524	893	535	145	195	635
OKC 125 NTR	1067	565	524	1058	635	145	195	765
OKC 160 NTR	1255	565	524	1246	897	145	195	765



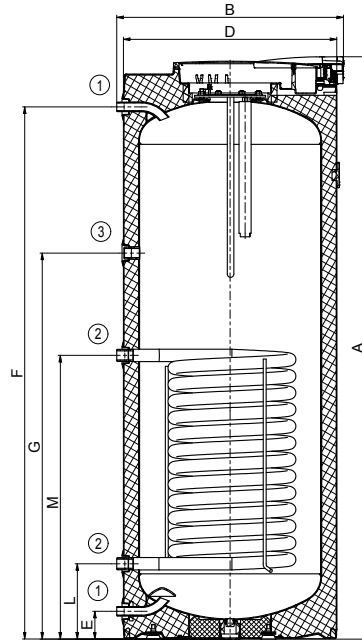
SOCKET no. 1 3/4" outer  
 SOCKET no. 2 1" outer  
 SOCKET no. 3 3/4" inner  
 SOCKET no. 4 1/2" inner

OKC 100-160 NTR



Dimensions [mm]	A	B	D	E	F	G	L	M
<b>OKC 200 NTR</b>	1412	620	584	75	1275	945	205	775

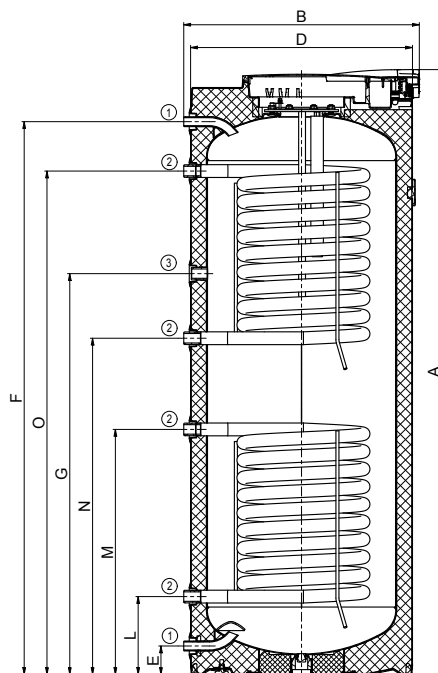
SOCKET no. 1 3/4" outer  
 SOCKET no. 2 1" outer  
 SOCKET no. 3 3/4" inner



**OKC 200 NTR**

Dimensions [mm]	A	B	D	E	F	G	L	M	N	O
<b>OKC 200 NTRR</b>	1412	620	584	75	1275	945	205	645	705	1145

SOCKET no. 1 3/4" outer  
 SOCKET no. 2 1" outer  
 SOCKET no. 3 3/4" inner



**OKC 200 NTRR**



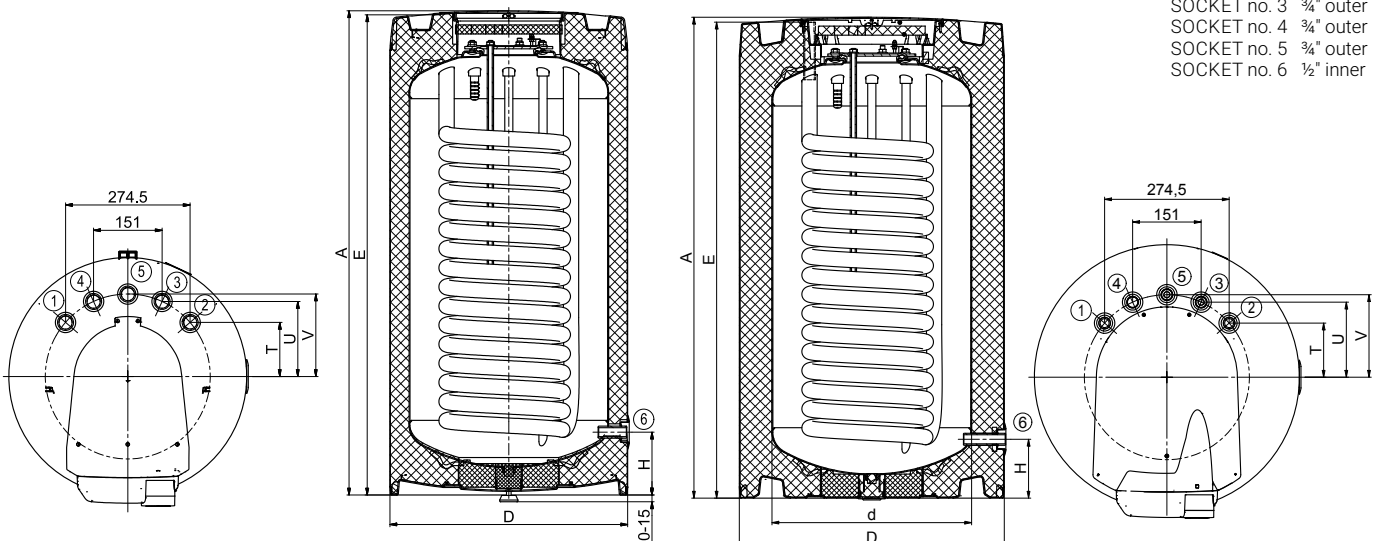
- Inlets and outlets of all media through the top lid
- Storage tanks suitable for installation under wall-mounted boilers
- Storage tanks have discharge outlet enclosed



Type of storage tank		OKC 100 NTR/HV	OKC 100.1 NTR/HV	OKC 125 NTR/HV	OKC 125.1 NTR/HV	OKC 160 NTR/HV
Order number		1108706101	1108707101	1103706101	1103707101	1106706101
Capacity	[l]	87	85	113	111	144
Max. weight of the empty water heater	[kg]	53	56	64	73	77
Insulation thickness	[mm]	42	72	42	72	42
Thermal conductivity of the insulation	[W·m <sup>-1</sup> ·K <sup>-1</sup> ]	0,022				
Electrical connection		1/N/PE ~ 230V/50Hz				
Degree of protection		IP42				
Max. operating temp. / overpressure in tank	[°C]/[bar]	80/6				
Heat transfer surface of the exchanger *	[m <sup>2</sup> ]	1,08		1,45		
Capacity of the exchanger *	[l]	7,1		9,5		
Max. operating temperature / overpressure in exchanger	[°C]/[bar]	110/10				
Power of the exchanger at the 720 l at 80 °C	[kW]	24		32		
Heating time by the exchanger from 10 °C to 60 °C *	[min]	13		12		16
Energy efficiency class		B	A	C	A	C
Static loss	[W]	42	29	65	33	65

Dimensions [mm]	A	d	D	E	H	T	U	V
OKC 100 NTR/HV	902	-	524	892	145	119	165	182
OKC 100.1 NTR/HV	880	440	584	885	130	119	165	182
OKC 125 NTR/HV	1067	-	524	1057	145	119	165	182
OKC 125.1 NTR/HV	1045	440	584	1050	130	119	165	182
OKC 160 NTR/HV	1090	-	584	1080	143	119	165	182

SOCKET no. 1 ¼" outer  
 SOCKET no. 2 ¼" outer  
 SOCKET no. 3 ¼" outer  
 SOCKET no. 4 ¼" outer  
 SOCKET no. 5 ¼" outer  
 SOCKET no. 6 ½" inner



OKC 100, 125, 160 NTR/HV    OKC 100.1, 125.1 NTR/HV



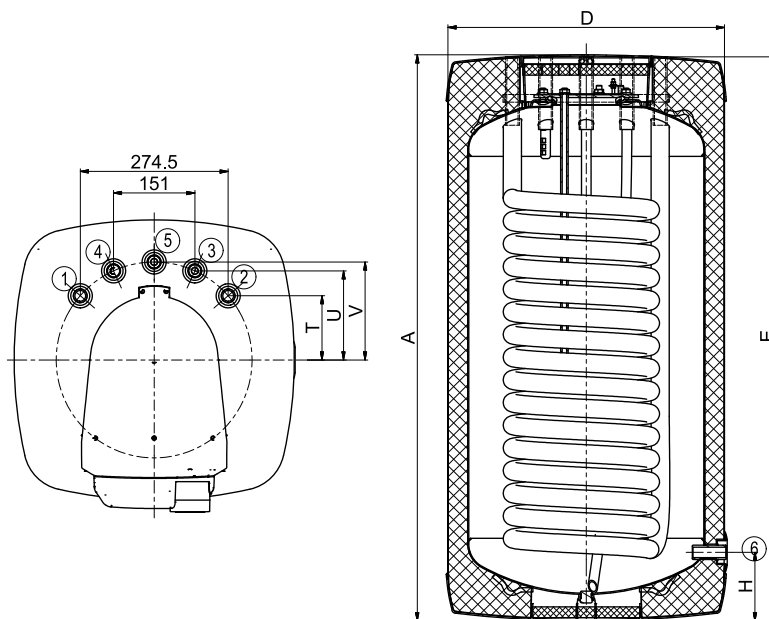
- Inlets and outlets of all media through the top lid
- Storage tanks suitable for installation under wall-mounted boilers
- Storage tanks have discharge outlet enclosed



Type of storage tank		OKH 100 NTR/HV	OKH 125 NTR/HV
Order number		140870601	140370601
Capacity	[l]	87	113
Max. weight of the empty water heater	[kg]	55	67
Insulation thickness	[mm]		to 80
Thermal conductivity of the insulation	[W·m <sup>-1</sup> ·K <sup>-1</sup> ]		0,022
Electrical connection			1/N/PE ~ 230V/50Hz
Degree of protection			IP42
Max. operating temp. / overpressure in tank	[°C]/[bar]		80/6
Heat transfer surface of the exchanger *	[m <sup>2</sup> ]	1,08	1,45
Capacity of the exchanger *	[l]	7,1	9,5
Max. operating temperature / overpressure in exchanger	[°C]/[bar]		110/10
Power of the exchanger at the 720 l at 80 °C	[kW]	24	32
Heating time by the exchanger from 10 °C to 60 °C *	[min]		13
Energy efficiency class			B
Static loss	[W]	44	49

Rozměry [mm]	A	D	E	H	T	U	V
OKH 100 NTR/HV	897	520	888	127	119	165	182
OKH 125 NTR/HV	1058	520	1049	127	119	165	182

- SOCKET no. 1 ¼" outer
- SOCKET no. 2 ¼" outer
- SOCKET no. 3 ¼" outer
- SOCKET no. 4 ¼" outer
- SOCKET no. 5 ¼" outer
- SOCKET no. 6 ½" inner



**OKH 100, 125 NTR/HV**



- Working pressure in the vessel and in the heat exchanger is 1 MPa
- With one large heat exchanger for connecting the heating source (heat pump, low-temperature source)
- Installation of TJ 6/4" electrical heating unit possible
- Installation of TPK 150-8 electrical heating unit for OKC 300–500 NTR/HP possible



OKC 250 NTR/HP



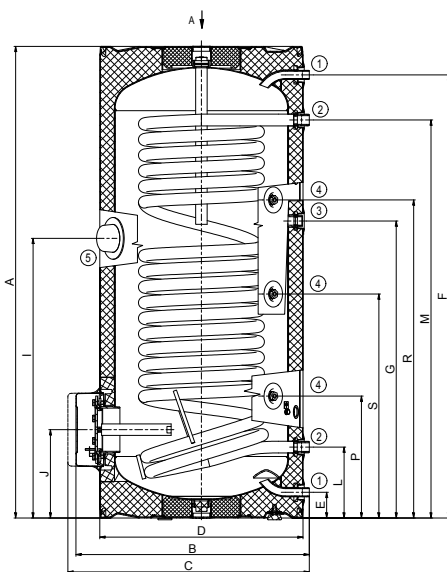
OKC 500 NTR/HP

Type of storage tank		OKC 200 NTR/HP	OKC 250 NTR/HP	OKC 300 NTR/HP	OKC 500 NTR/HP
Order number		1107914101	1109914101	121091401	121391401
Capacity	[l]	208	234	286	469
Max. weight of the empty water heater	[kg]	102	119	133	223
Insulation thickness	[mm]	42		60	50
Thermal conductivity of the insulation	[W·m <sup>-1</sup> ·K <sup>-1</sup> ]	0,022		0,021	
Max. operating temp. / overpressure in tank	[°C]/[bar]	80/10			
Heat transfer surface of the exchanger *	[m <sup>2</sup> ]	2	2,4	2,9	6,4
Capacity of the exchanger *	[l]	13,3	15,6	18,9	39
Heating time by the exchanger from 10 °C to 50 °C *	[min]	34		32	24
Max. operating temperature / overpressure in exchanger	[°C]/[bar]	110/10			
Energy efficiency class		C			
Static loss	[W]	82	87	72	105

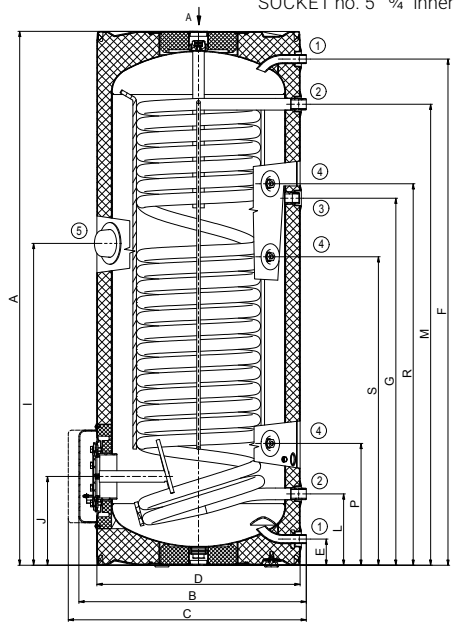
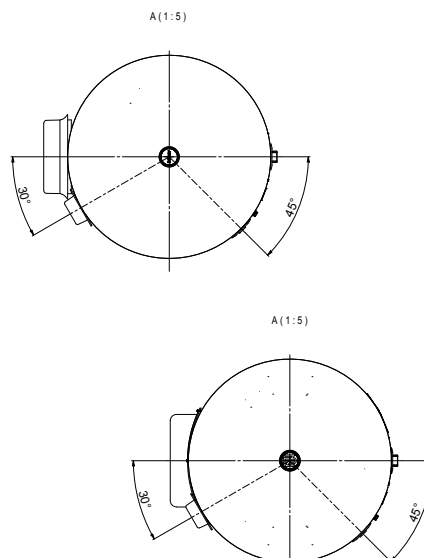
Dimensions [mm]	A	B	C	D	E	F	G	I	J	L	M	P	R	S
OKC 200 NTR/HP	1355	660	710	584	75	1275	855	805	255	205	1145	350	915	645
OKC 250 NTR/HP	1535	660	710	584	75	1455	1055	925	255	205	1325	350	1095	885

SOCKET no. 1 ¼" outer  
 SOCKET no. 2 1" outer  
 SOCKET no. 3 ¾" inner  
 SOCKET no. 4 ½" inner  
 SOCKET no. 5 ¾" inner

SOCKET no. 1 ¼" outer  
 SOCKET no. 2 1" outer  
 SOCKET no. 3 ¾" inner  
 SOCKET no. 4 ½" inner  
 SOCKET no. 5 ¾" inner

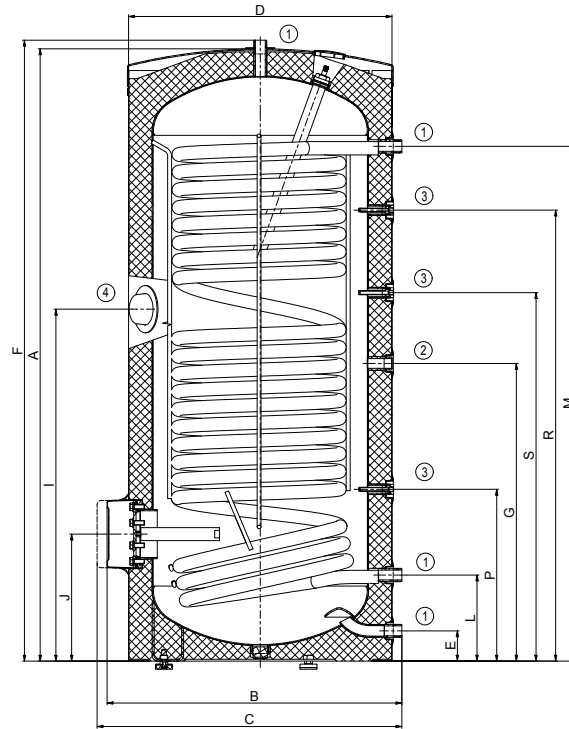


OKC 200 NTR/HP



OKC 250 NTR/HP

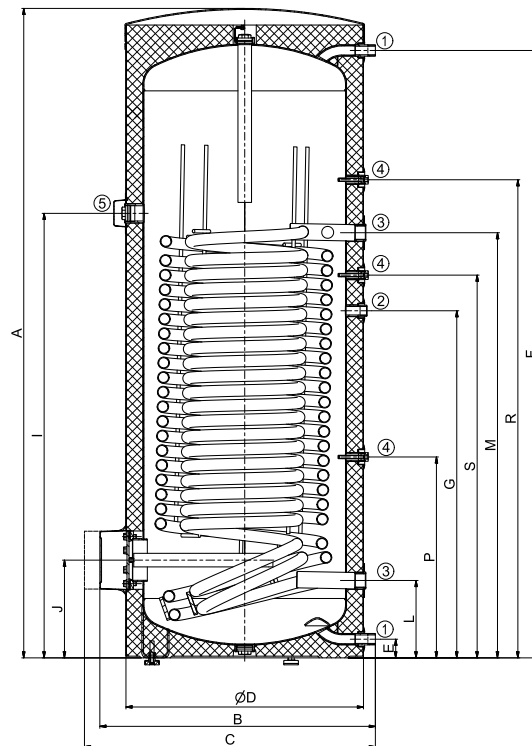
Dimensions [mm]	A	B	C	D	E	F	G	I	J	L	M	P	R	S
<b>OKC 300 NTR/HP</b>	1558	750	775	670	77	1579	760	895	325	219	1309	438	1148	937



SOCKET no. 1 1" outer  
 SOCKET no. 2 3/4" inner  
 SOCKET no. 3 1/2" inner  
 SOCKET no. 4 3/4" inner

**OKC 300 NTR/HP**

Dimensions [mm]	A	B	C	D	E	F	G	I	J	L	M	P	R	S
<b>OKC 500 NTR/HP</b>	1914	812	857	700	55	1790	1023	1310	288	228	1253	592	1409	1128



SOCKET no. 1 1" outer  
 SOCKET no. 2 3/4" inner  
 SOCKET no. 3 5/4" inner  
 SOCKET no. 4 1/2" inner  
 SOCKET no. 5 3/4" inner

**OKC 500 NTR/HP**



- Working pressure in the vessel and in the heat exchanger is 1 MPa
- With two heat exchangers, the upper large heat exchanger for connection heating sources (heat pump, low-temperature source) and bottom exchanger (eg solar)
- Installation of TJ 6/4" electrical heating nit possible
- Installation of TPK 150-8 electrical heating unit possible
- Storage tank includes 3 sensor pockets

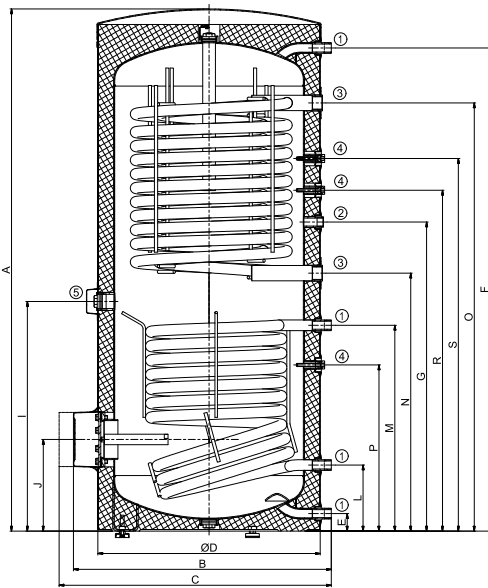


Type of storage tank		OKC 400 NTRR/HP/SOL	OKC 500 NTRR/HP/SOL
Order number		121491402	121391402
Capacity	[l]	352	469
Max. weight of the empty water heater	[kg]	183	233
Insulation thickness	[mm]	50	
Thermal conductivity of the insulation	[W·m <sup>-1</sup> ·K <sup>-1</sup> ]	0,021	
Max. operating temp. / overpressure in tank	[°C]/[bar]	80/10	
Heat transfer surface of the exchanger* (top/bottom)	[m <sup>2</sup> ]	3,1/1,4	4,8/2
Capacity of the exchanger* (top/bottom)	[l]	19,3/9	29,7/12,3
Max. operating temperature / overpressure in exchanger	[°C]/[bar]	110/10	
Power of the exchanger (ČSN EN 12897)	[kW]	45**/32*	50**/58*
Heating time by the exchanger from 10 °C to 60 °C *	[min]	32/22	26/27
Energy efficiency class		C	
Static loss	[W]	90	105

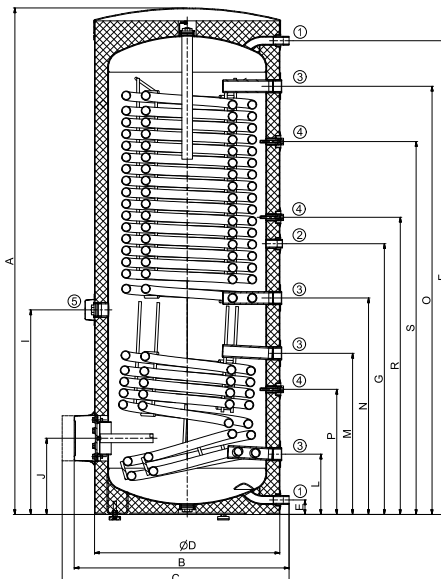
\* measured with heating water 80 °C

\*\* measured with heating water 55 °C

Dimensions [mm]	A	B	C	D	E	F	G	I	J	L	M	N	O	P	R	S
OKC 400 NTRR/HP/SOL	1644	812	857	700	55	1521	973	723	288	208	648	812	1348	523	1073	1173
OKC 500 NTRR/HP/SOL	1914	812	857	700	55	1790	1023	773	288	228	609	818	1618	473	1123	1409



OKC 400 NTRR/HP/SOL



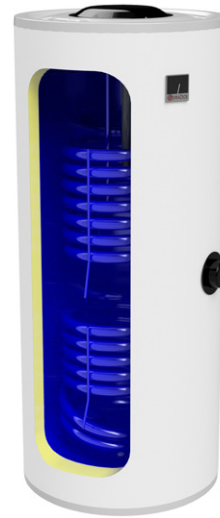
OKC 500 NTRR/HP/SOL

- SOCKET no. 1 1" outer
- SOCKET no. 2 ¾" inner
- SOCKET no. 3 ½" inner
- SOCKET no. 4 ½" inner
- SOCKET no. 5 ¾" inner





- Optimised exchanger surfaces for solar collectors and other sources of power
- Storage tank includes 2 temperature sensor pockets
- Installation of TJ 6/4" electrical heating unit possible
- Better layering of hot water thanks to modified dimensions
- Storage tanks can be used as main water heating storage tank or as pre-heating storage tank before existing hot water storage tank



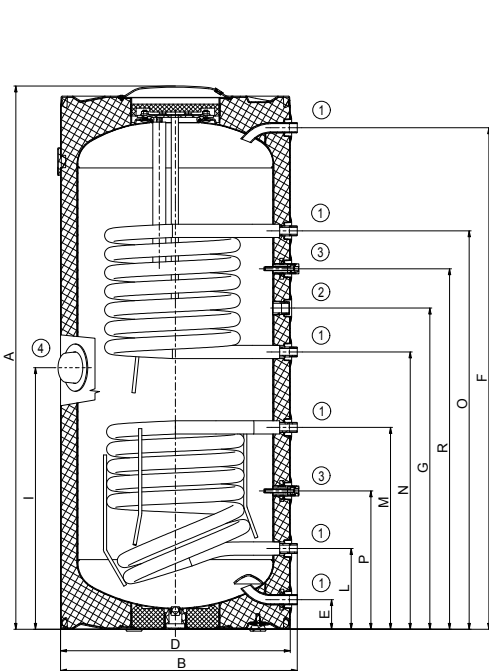
OKC 200, 250 NTRR/SOL



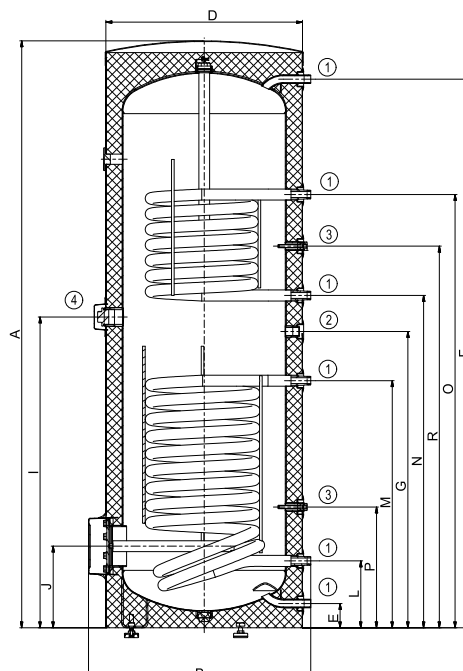
OKC 300 NTRR/SOL

Type of storage tank		OKC 200 NTRR/SOL	OKC 250 NTRR/SOL	OKC 300 NTRR/SOL
Order number		1107913101	1109913101	121091301
Capacity	[l]	200	242	275
Max. weight of the empty water heater	[kg]	104	109	111
Insulation thickness	[mm]		42	48
Thermal conductivity of the insulation	[W·m <sup>-1</sup> ·K <sup>-1</sup> ]		0,022	0,021
Max. operating temp. / overpressure in tank	[°C]/[bar]			80/10
Heat transfer surface of the exchanger * (top/bottom)	[m <sup>2</sup> ]	0,8/0,8	0,8/1	0,8/1,2
Capacity of the exchanger * (top/bottom)	[l]	5,5/5,5	5,5/7	5,5/8,5
Max. operating temperature / overpressure in exchanger	[°C]/[bar]			110/10
Power of the exchanger at the 720 l at 80 °C (top/bottom)	[kW]	19/19	19/24	19/29
Heating time by the exchanger from 10 °C to 60 °C *	[min]	23/34	26/33	25/33
Energy efficiency class				C
Static loss	[W]	82	87	85

Dimensions [mm]	A	B	D	E	F	G	I	J	L	M	N	O	P	R
OKC 200 NTRR/SOL	1380	605	584	75	1275	815	665	-	205	515	705	1015	350	915
OKC 250 NTRR/SOL	1560	605	584	75	1455	995	835	-	205	645	885	1195	350	1095
OKC 300 NTRR/SOL	1791	678	600	75	1674	904	948	249	205	754	1014	1322	369	1165

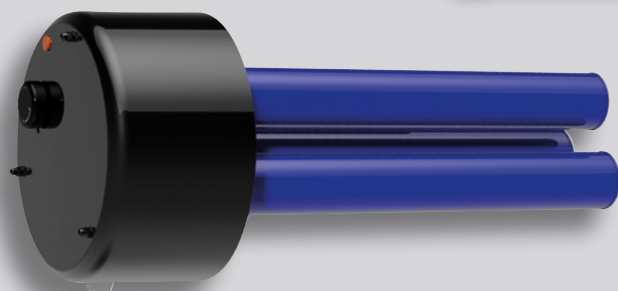
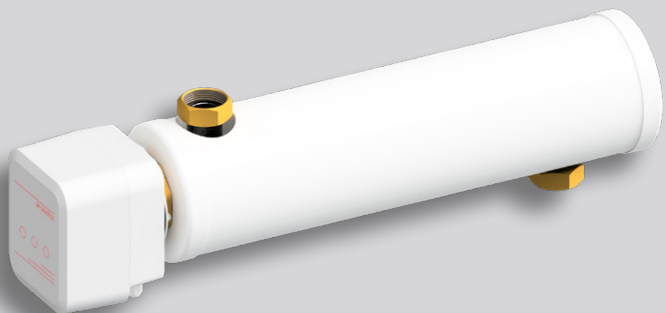


OKC 200, 250 NTRR/SOL



OKC 300 NTRR/SOL

- SOCKET no. 1 3/4" outer
- SOCKET no. 2 3/4" inner
- SOCKET no. 3 1/2" inner
- SOCKET no. 4 3/4" inner



## ACCESSORIES



# IPS ProtectX

## IPS - IONIZATION POLARIZATION SYSTEM

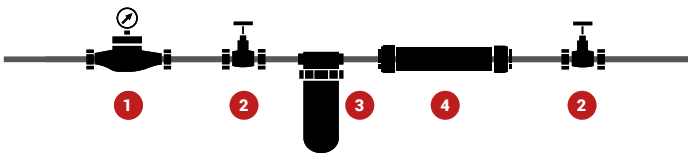
Equipment for the physical treatment of water in connection with the reduction of limestone for the protection of household appliances and water distribution systems



## ADVANTAGES

- It prolongs the service life of heating equipment and sanitary equipment
- No external power supply
- Maintenance free
- Zero additional costs
- It does not use any chemicals
- Negligible pressure losses
- Patented product
- Certified effectiveness
- Blue line - suitable for all types of water supply, in addition it contains disinfectants, suitable e.g. for untreated water sources
- Red line - suitable for all types of water supply

## INDICATIVE DIAGRAM OF THE IPS ProtectX EQUIPMENT LOCATION RED LINE



1. Consumption meter
2. Shut-off valve
3. Mechanical dirt filter
4. IPS ProtectX

Order number	TYPE	DIMENSIONS (d × l)	MAXIMUM FLOW
100671000	ProtectX G ½" (red line)	50 × 245 mm	1 m³/h
100671001	ProtectX G ¾" (red line)	50 × 245 mm	3,2 m³/h
100671002	ProtectX G 1" (red line)	50 × 251 mm	4 m³/h
100671003	ProtectX G ½" (blue line)	50 × 245 mm	1 m³/h
100671004	ProtectX G ¾" (blue line)	50 × 245 mm	3,2 m³/h
100671005	ProtectX G 1" (blue line)	50 × 251 mm	4 m³/h

# PROTECT CH

## MINI CHEMICAL WATER TREATMENT PLANT

Chemical water treatment plant for water that protects pipes and equipment against limescale deposits with a replaceable polyphosphate capsule.



## ADVANTAGES:

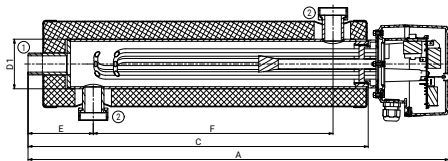
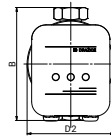
- Extends the service life of hot water heating appliance
- Installation on cold water supply in horizontal and vertical position
- Replaceable polyphosphate capsule, service life 1 – 2 months
- Maximum flow rate 1 200 l/hr
- The plant does not require a connection to electrical energy

Order Number: 100671022













# ORIGINAL PARTS FROM DRAŽICE

## BIVALENT SOURCE TJ 2"

Type		TJ 2" EHP 6 kW	TJ 2" EHP 9 kW
Order number		2110553	2110551
Power consumption	[kW]	2 - 6	3 - 9
Extension length (± 10 mm)	[mm]	520	
Weight	[kg]	5,5	
Electrical connection		3/N/PE ~ 3× 230 V / 50 Hz, Δ	
Recomm.circuit breaker value	[A]	3 × 16	
Degree of protection		IP44	



## SCREW-TYPE ELECTRICAL HEATING UNITS OF THE TJ SERIES

Type		 TJ 6/4"-2	 TJ 6/4"-2,5	 TJ 6/4" S-2,5	 TJ 6/4"-3,3	 TJ 6/4"-3,75	 TJ 6/4" E-3,75	 TJ 6/4"-4,5	 TJ 6/4" E-4,5	 TJ 6/4"-6	 TJ 6/4" E-6	 TJ 6/4"-7,5	 TJ 6/4"-9
Order number		- / 2110353	- / 2110354	- / 2110361	2110355 / -	- / 2110356	2110365	- / 2110357	2110366	- / 2110358	2110367	2110359	2110360
Power consumption	[kW]	2	2,5	2,5	3,3	3,75	3,75	4,5	4,5	6	6	7,5	9
Extension length L/L1	[mm]	- / 380	- / 405	- / 405	325 / -	- / 450	450	- / 500	500	- / 520	520	685	690
Cold part of the heating unit (± 10 mm)		175	175	175	60	175	175	175	175	175	175	175	175
Weight	[kg]	1,2	1,3	1,3	1,7	2	2	2	2	2	2	2,3	2,3
Electrical connection		1/N/PE ~ 230 V / 50 Hz			3/N/PE ~ 3× 230 V / 50 Hz, Δ						3/N/PE ~ 400 V / 50 Hz, Δ		
Recomm.circuit breaker value	[A]	16	16	16	3 × 10	3 × 10	3 × 10	3 × 10	3 × 10	3 × 16	3 × 16	3 × 16	3 × 20
Degree of protection		IP44											
Scale of set temperature	[°C]	5-74											
Heat. time approx. 150 l 10-60°C	[h]	4,5	4	4	2,7	2,3	2,3	2	2	1,5	1,5	1,3	1

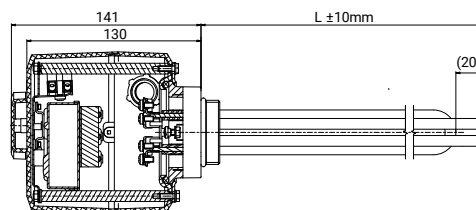
Suitable for photovoltaic applications 

Types TJ 6/4"-2 and TJ 6/4"-2,5 include flexible supply cable in the socket.

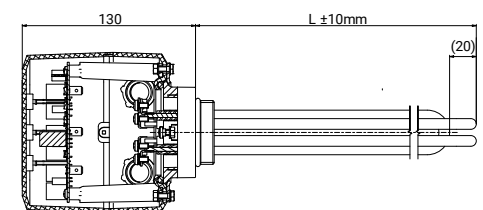
Extension lengths are in a tolerance of ± 10 mm.



TJ 6/4"



TJ 6/4" E

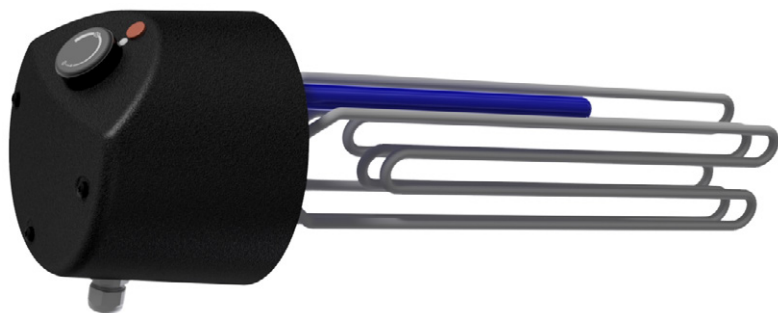


# ORIGINAL PARTS FROM DRAŽICE

## FLANGED ELECTRICAL HEATING UNITS OF THE TPJ SERIES

Type		TPJ 150-8/2,5 kW	TPJ 150-8/3,0 kW	TPJ 150-8/4,0 kW	RDU 18-6	RDW 18-7,5	TPJ 150-8/9,0 kW	TPJ 150-8/12 kW	TPJ 150-8/15 kW
Order number		2110700	2110701	2110702	100541564	100541570	2110705	2110706	2110707
Power consumption	[kW]	2,5	3	4	6	7,5	9	12	15
Weight	[kg]	3	3,5	3,5	3,5	3,7	4	4	4,2
Extension length	[mm]	450						580	
Electrical connection		1/N/PE ~ 230 V/ 50 Hz	3/N/PE ~ 3x 230 V/50 Hz, Δ		3/N/PE ~ 400 V/50 Hz, Δ				
Recomm. circuit breaker value	[A]	16	3 x 10	3 x 10	3 x 16	3 x 16	3 x 20	3 x 20	3 x 25
Degree of protection		IPX4							
Heat. time approx. 300 l 10–60 °C	[h]	7	6	4,5	3	2,5	2	1,5	1,3

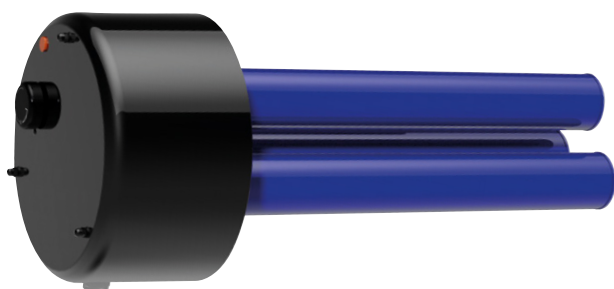
Extension lengths are in a tolerance of ± 10 mm.



## FLANGED ELECTRICAL HEATING UNITS WITH CERAMIC BODY OF THE TPK SERIES

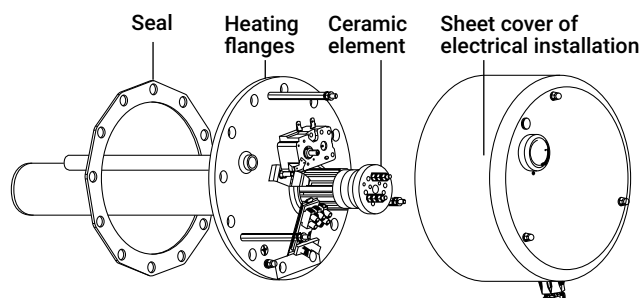
Type		TPK 150-8/2,2	TPK 150-8/3,3	TPK 168-8/2,2	TPK 168-8/3,3	TPK 210-12/2,2	TPK 210-12/3,3	TPK 210-12/6,6	TPK 210-12/9	TPK 210-12/12
Order number		2110409	2110427	2110055	2110428	2110053	2110429	2110410	2110430	2110414
Power consumption	[kW]	2,2	3,3	2,2	3,3	2,2	3,3	6,6	9	12
Weight	[kg]	4,2	5	4,2	5,5	6,6	12	13	13,6	14
Extension length	[mm]	400	340	400	340	440	440	440	550	550
Electrical connection		1/N/PE ~ 230 V/50 Hz	3/N/PE ~ 3x 230 V/ 50 Hz, Δ	1/N/PE ~ 230 V/50 Hz	3/N/PE ~ 3x 230 V/ 50 Hz, Δ	1/N/PE ~ 230 V/50 Hz	3/N/PE ~ 3x 230 V/ 50 Hz, Δ		3/N/PE ~ 400 V/50 Hz, Δ	
Recomm. circuit breaker value	[A]	16	3 x 10	16	3 x 10	16	3 x 10	3 x 16	3 x 20	3 x 25
Degree of protection		IP42								
Scale of set temperature	[°C]	5–74								

Extension lengths are in a tolerance of ± 10 mm.

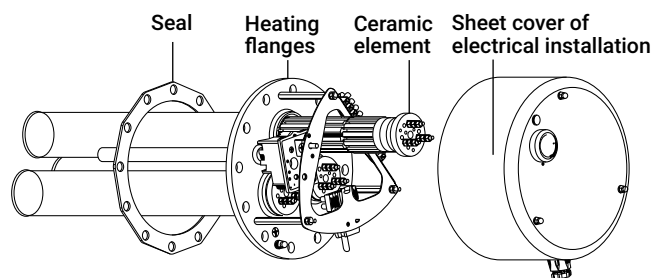


# ORIGINAL PARTS FROM DRAŽICE

## COMPOSITION OF SINGLE- AND THREE-PHASE TPK HEATING FLANGE UNITS



TPK – single-phase



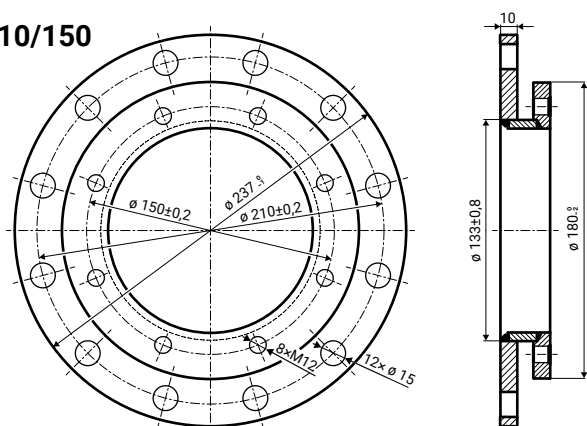
TPK – three-phase

## REDUCTION FLANGES

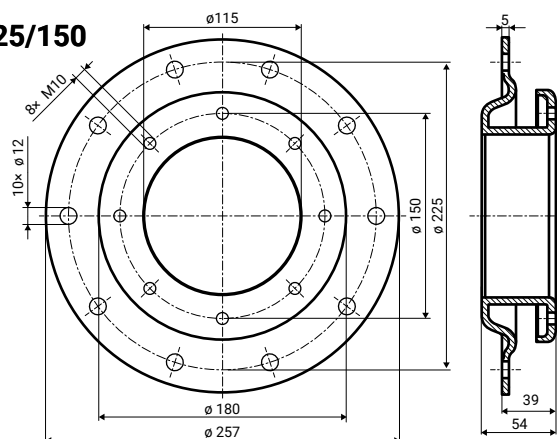
■ REU, RDU and RSW electrical heating units can be assembled in the OKCE 160–500 S, OKC 300, 400, 500 BP water heaters using a 210/150 reduction flange.

■ REU, RDU, RDW and RSW electrical heating units can be assembled in water heaters with capacities of 750 and 1000 litres using a 225/150 reduction flange.

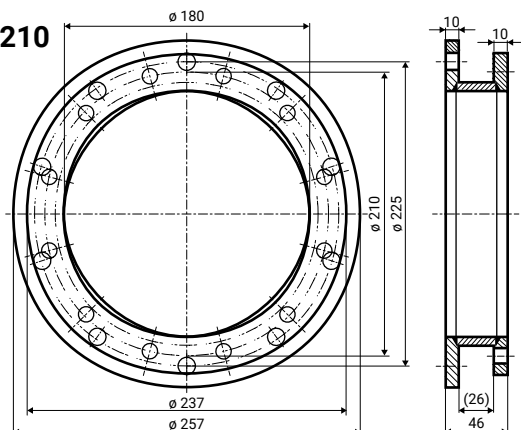
210/150



225/150



225/210



■ ETPK 210 - 2.2 kW and TPK 210 - 12/3-6 kW, TPK 210 - 12/5-9 kW and TPK 210 - 12/8-12 kW electrical heating units can be assembled in water heaters with capacities of 750 and 1000 litres using a 225/210 reduction flange.

Flange size:	Order number:
210/150	100641134
225/150	100641132
225/210	100641133

## ACCESSORIES TABLES

### MOUNTING OPTIONS FOR SCREW-TYPE ELECTRICAL HEATING UNITS OF THE TJ SERIES

Type	TJ 6/4" - 2 *	TJ 6/4" - 2,5 *	TJ 6/4" S - 2,5 *	TJ 6/4" - 3,3	TJ 6/4" - 3,75 *	TJ 6/4" E - 3,75 *	TJ 6/4" - 4,5 *	TJ 6/4" E - 4,5 *	TJ 6/4" - 6 *	TJ 6/4" E - 6 *	TJ 6/4" - 7,5 *	TJ 6/4" - 9 *
OKCE 200 S	▲	▲	▲	▲	▲	▲	▲	-	-	-	-	-
OKCE 250 S	▲	▲	▲	▲	▲	▲	▲	▲	-	-	-	-
OKCE 300 S	▲	▲	▲	▲	▲	▲	▲	▲	-	-	-	-
OKCE 500 S	▲	▲	▲	▲	▲	▲	▲	▲	-	-	-	-
OKC 200 NTR/BP	▲	▲	▲	▲	▲	▲	▲	▲	-	-	-	-
OKC 300 NTR/BP	▲	▲	▲	▲	▲	▲	▲	▲	-	-	-	-
OKC 500 NTR/BP	▲	▲	▲	▲	▲	▲	▲	▲	-	-	-	-
OKC 200 NTRR/BP	▲	▲	▲	▲	▲	▲	▲	▲	-	-	-	-
OKC 300 NTRR/BP	▲	▲	▲	▲	▲	▲	▲	▲	-	-	-	-
OKC 500 NTRR/BP	▲	▲	▲	▲	▲	▲	▲	▲	-	-	-	-
OKC 200 NTR/HP	▲	▲	▲	▲	-	-	-	-	-	-	-	-
OKC 250 NTR/HP	▲	▲	▲	▲	-	-	-	-	-	-	-	-
OKC 300 NTR/HP	▲	▲	▲	▲	▲	▲	▲	-	-	-	-	-
OKC 500 NTR/HP	▲	▲	▲	▲	▲	▲	▲	▲	-	-	-	-
OKC 200 NTRR/SOL	▲	▲	▲	▲	▲	▲	▲	▲	-	-	-	-
OKC 250 NTRR/SOL	▲	▲	▲	▲	▲	▲	▲	▲	-	-	-	-
OKC 300 NTRR/SOL	▲	▲	▲	▲	▲	▲	▲	▲	-	-	-	-
OKC 400 NTRR/HP/SOL	▲	▲	▲	▲	▲	▲	▲	▲	-	-	-	-
OKC 500 NTRR/HP/SOL	▲	▲	▲	▲	▲	▲	▲	▲	-	-	-	-

\* with extended cold part, ▲ can be fitted, - cannot be fitted

### MOUNTING OPTIONS FOR FLANGED ELECTRICAL HEATING UNITS OF THE TPJ SERIES

Type	TPJ 150-8/2,5 kW	TPJ 150-8/3,0 kW	TPJ 150-8/4,0 kW	RDU 18-6	RDW 18-7,5	TPJ 150-8/9,0 kW	TPJ 150-8/12 kW	TPJ 150-8/15 kW
OKCE 300 S	●	●	●	●	●	●	●	-
OKCE 500 S	●	●	●	●	●	●	●	●
OKC 300 NTR/BP	●	●	●	●	●	●	-	-
OKC 500 NTR/BP	●	●	●	●	●	●	-	-
OKC 300 NTRR/BP	●	●	●	●	●	●	-	-
OKC 500 NTRR/BP	●	●	●	●	●	●	-	-
OKC 300 NTR/HP	▲	▲	▲	▲	▲	▲	-	-
OKC 500 NTR/HP	▲	▲	▲	▲	▲	▲	-	-

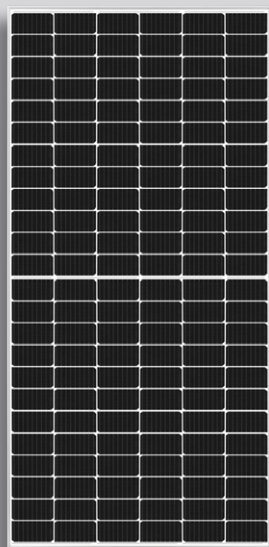
▲ can be fitted, ● can only be fitted with the 210/150 reduction flange, - cannot be fitted

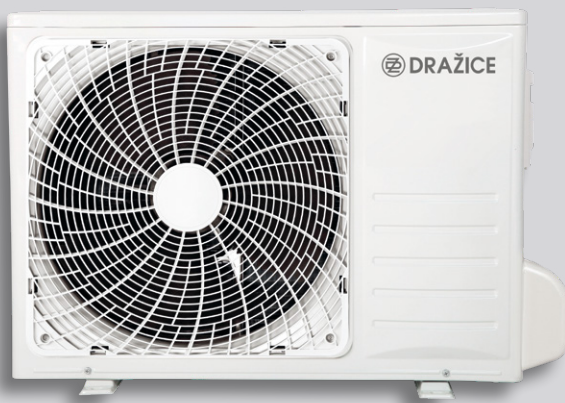
# ACCESSORIES TABLES

## MOUNTING OPTIONS FOR FLANGED ELECTRICAL HEATING UNITS OF THE TPK SERIES

Type	TPK 150-8/2,2 kW	TPK 150-8/3,3 kW	TPK 168-8/2,2 kW	TPK 168-8/3,3 kW	TPK 210-12/2,2 kW	TPK 210-12/3,3 kW	TPK 210-12/6,6 kW	TPK 210-12/9 kW	TPK 210-12/12 kW
OKCE 160 S	-	-	-	-	▲	▲	▲	-	-
OKCE 200 S	-	-	-	-	▲	▲	▲	-	-
OKCE 250 S	-	-	-	-	▲	▲	▲	-	-
OKCE 300 S	-	-	-	-	▲	▲	▲	▲	▲
OKCE 500 S	-	-	-	-	▲	▲	▲	▲	▲
OKC 160 NTR/BP	-	-	▲	◆	-	-	-	-	-
OKC 200 NTR/BP	-	-	▲	◆	-	-	-	-	-
OKC 300 NTR/BP	-	-	-	-	▲	▲	▲	-	-
OKC 500 NTR/BP	-	-	-	-	▲	▲	▲	-	-
OKC 200 NTRR/BP	-	-	▲	◆	-	-	-	-	-
OKC 300 NTRR/BP	-	-	-	-	▲	▲	▲	-	-
OKC 500 NTRR/BP	-	-	-	-	▲	▲	▲	-	-
OKC 200 NTR/HP	-	-	◆	◆	-	-	-	-	-
OKC 250 NTR/HP	-	-	◆	◆	-	-	-	-	-
OKC 300 NTR/HP	▲	◆	-	-	-	-	-	-	-
OKC 500 NTR/HP	▲	◆	-	-	-	-	-	-	-
OKC 400 NTRR/HP/SOL	▲	▲	-	-	-	-	-	-	-
OKC 500 NTRR/HP/SOL	▲	▲	-	-	-	-	-	-	-

▲ can be fitted, ◆ into the tanks manufactured after 03/2023 can be installed only TPK manufactured after 03/2023, – cannot be fitted





## **ANOTHER ASSORTMENT**

PHOTOVOLTAIC SOLUTIONS

STORAGE TANKS

AIR CONDITION

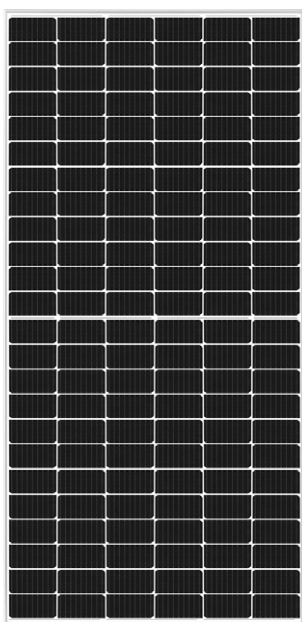


## FVE

## TECHNOLOGY FOR PHOTOVOLTAIC PLANTS

Complete photovoltaic solutions for your house.

More information can be found at [www.dzd-solar.cz](http://www.dzd-solar.cz).



## NAD, NADS, NADO, NADOS

## STORAGE TANKS

Accumulation tanks for the accumulation of thermal energy from various heat sources.

We manufacture a lot of types of storage tanks for various combinations and types of use.

The basic division is as follows:

- storage tanks without hot water preparation NAD, NADS and UKV
- storage tanks with hot water preparation NADO and NADOS

More information can be found at [www.dzd.cz/en/akumulacni-nadrze](http://www.dzd.cz/en/akumulacni-nadrze).



NAD 250 V1



NADO 500 V6

## AIR

## SPLIT AIR CONDITIONING UNITS

SPLIT AIR is an air conditioner with one indoor unit designed for flats, family houses, offices or smaller facilities. The air conditioner consists of an outdoor unit, one indoor unit and a smart remote controller. All three performance variants of the AIR air conditioner offer cooling, heating, a fan and drying functions.

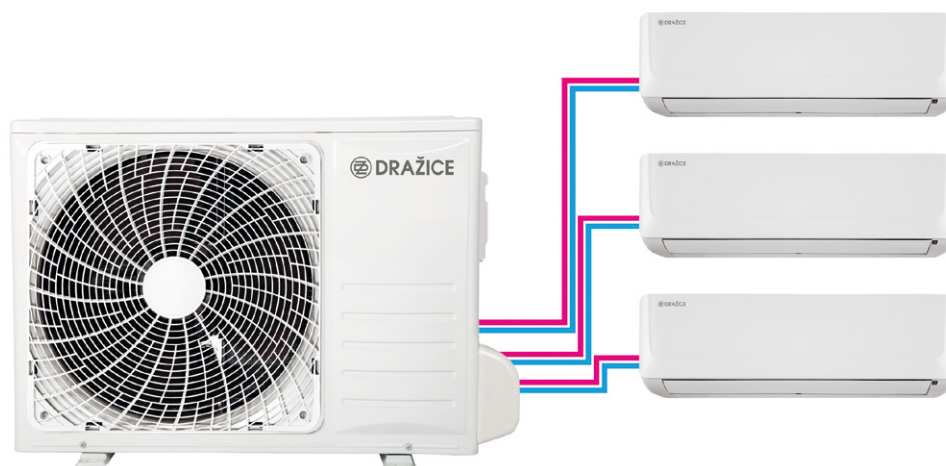


## AIR PLUS

## MULTISPLIT AIR CONDITIONING UNITS

The Multisplit AIR PLUS air conditioners are designed for systems with a requirement for more indoor units. In this solution, one suitably dimensioned outdoor unit is supplemented by two to four indoor units of identical or different outputs so that the requirements of the project are optimally met.

By combining three types of outdoor units and four types of indoor units, practically any configuration of cooling and heating systems can be achieved exactly according to your needs.



**COMMENT**

## COMMENT

# DRUŽSTEVNÍ ZÁVODY DRAŽICE-STROJÍRNA s.r.o.

Dražice 69, 294 71 Benátky nad Jizerou  
Czech republic

tel.: +420/326 370 911

e-mail: [info@dzd.cz](mailto:info@dzd.cz)

[www.dzd.cz/en](http://www.dzd.cz/en)

[www.dzd-solar.cz](http://www.dzd-solar.cz)



PROUD  
PARTNER OF

